

# DATA SHEET

## **PCF8576**

Universal LCD driver for low  
multiplex rates

Product specification  
Supersedes data of 1997 Nov 18  
File under Integrated Circuits, IC12

1998 Feb 06

# Universal LCD driver for low multiplex rates

## PCF8576

<b>CONTENTS</b>			
1	FEATURES	7	CHARACTERISTICS OF THE I <sup>2</sup> C-BUS
2	GENERAL DESCRIPTION	7.1	Bit transfer
3	ORDERING INFORMATION	7.2	START and STOP conditions
4	BLOCK DIAGRAM	7.3	System configuration
5	PINNING	7.4	Acknowledge
6	FUNCTIONAL DESCRIPTION	7.5	PCF8576 I <sup>2</sup> C-bus controller
6.1	Power-on reset	7.6	Input filters
6.2	LCD bias generator	7.7	I <sup>2</sup> C-bus protocol
6.3	LCD voltage selector	7.8	Command decoder
6.4	LCD drive mode waveforms	7.9	Display controller
6.4.1	Static drive mode	7.10	Cascaded operation
6.4.2	1 : 2 multiplex drive mode	8	LIMITING VALUES
6.4.3	1 : 3 multiplex drive mode	9	HANDLING
6.4.4	1 : 4 multiplex drive mode	10	DC CHARACTERISTICS
6.5	Oscillator	11	AC CHARACTERISTICS
6.5.1	Internal clock	11.1	Typical supply current characteristics
6.5.2	External clock	11.2	Typical characteristics of LCD outputs
6.6	Timing	12	APPLICATION INFORMATION
6.7	Display latch	12.1	Chip-on-glass cascadability in single plane
6.8	Shift register	13	BONDING PAD LOCATIONS
6.9	Segment outputs	14	PACKAGE OUTLINES
6.10	Backplane outputs	15	SOLDERING
6.11	Display RAM	15.1	Introduction
6.12	Data pointer	15.2	Reflow soldering
6.13	Subaddress counter	15.3	Wave soldering
6.14	Output bank selector	15.4	Repairing soldered joints
6.15	Input bank selector	16	DEFINITIONS
6.16	Blinker	17	LIFE SUPPORT APPLICATIONS
		18	PURCHASE OF PHILIPS I <sup>2</sup> C COMPONENTS



# Universal LCD driver for low multiplex rates

PCF8576

## 1 FEATURES

- Single-chip LCD controller/driver
- Selectable backplane drive configuration: static or 2/3/4 backplane multiplexing
- Selectable display bias configuration: static,  $\frac{1}{2}$  or  $\frac{1}{3}$
- Internal LCD bias generation with voltage-follower buffers
- 40 segment drives: up to twenty 8-segment numeric characters; up to ten 15-segment alphanumeric characters; or any graphics of up to 160 elements
- $40 \times 4$ -bit RAM for display data storage
- Auto-incremented display data loading across device subaddress boundaries
- Display memory bank switching in static and duplex drive modes
- Versatile blinking modes
- LCD and logic supplies may be separated
- Wide power supply range: from 2 V for low-threshold LCDs and up to 9 V for guest-host LCDs and high-threshold (automobile) twisted nematic LCDs
- Low power consumption
- Power-saving mode for extremely low power consumption in battery-operated and telephone applications
- I<sup>2</sup>C-bus interface
- TTL/CMOS compatible

- Compatible with any 4-bit, 8-bit or 16-bit microprocessors/microcontrollers
- May be cascaded for large LCD applications (up to 2560 segments possible)
- Cascadable with 24-segment LCD driver PCF8566
- Optimized pinning for plane wiring in both single and multiple PCF8576 applications
- Space-saving 56-lead plastic very small outline package (VSO56)
- Very low external component count (at most one resistor, even in multiple device applications)
- Compatible with chip-on-glass technology
- Manufactured in silicon gate CMOS process.

## 2 GENERAL DESCRIPTION

The PCF8576 is a peripheral device which interfaces to almost any Liquid Crystal Display (LCD) with low multiplex rates. It generates the drive signals for any static or multiplexed LCD containing up to four backplanes and up to 40 segments and can easily be cascaded for larger LCD applications. The PCF8576 is compatible with most microprocessors/microcontrollers and communicates via a two-line bidirectional I<sup>2</sup>C-bus. Communication overheads are minimized by a display RAM with auto-incremented addressing, by hardware subaddressing and by display memory switching (static and duplex drive modes).

## 3 ORDERING INFORMATION

TYPE NUMBER	PACKAGE		
	NAME	DESCRIPTION	VERSION
PCF8576T	VSO56	plastic very small outline package; 56 leads	SOT190-1
PCF8576U	–	chip in tray	–
PCF8576U/2	–	chip with bumps in tray	–
PCF8576U/5	–	unsawn wafer	–
PCF8576U/7	–	chip with bumps on tape	–
PCF8576U/10	FFC	chip on film frame carrier (FFC)	–
PCF8576U/12	FFC	chip with bumps on film frame carrier (FFC)	–

Universal LCD driver for low multiplex rates

PCF8576

4 BLOCK DIAGRAM

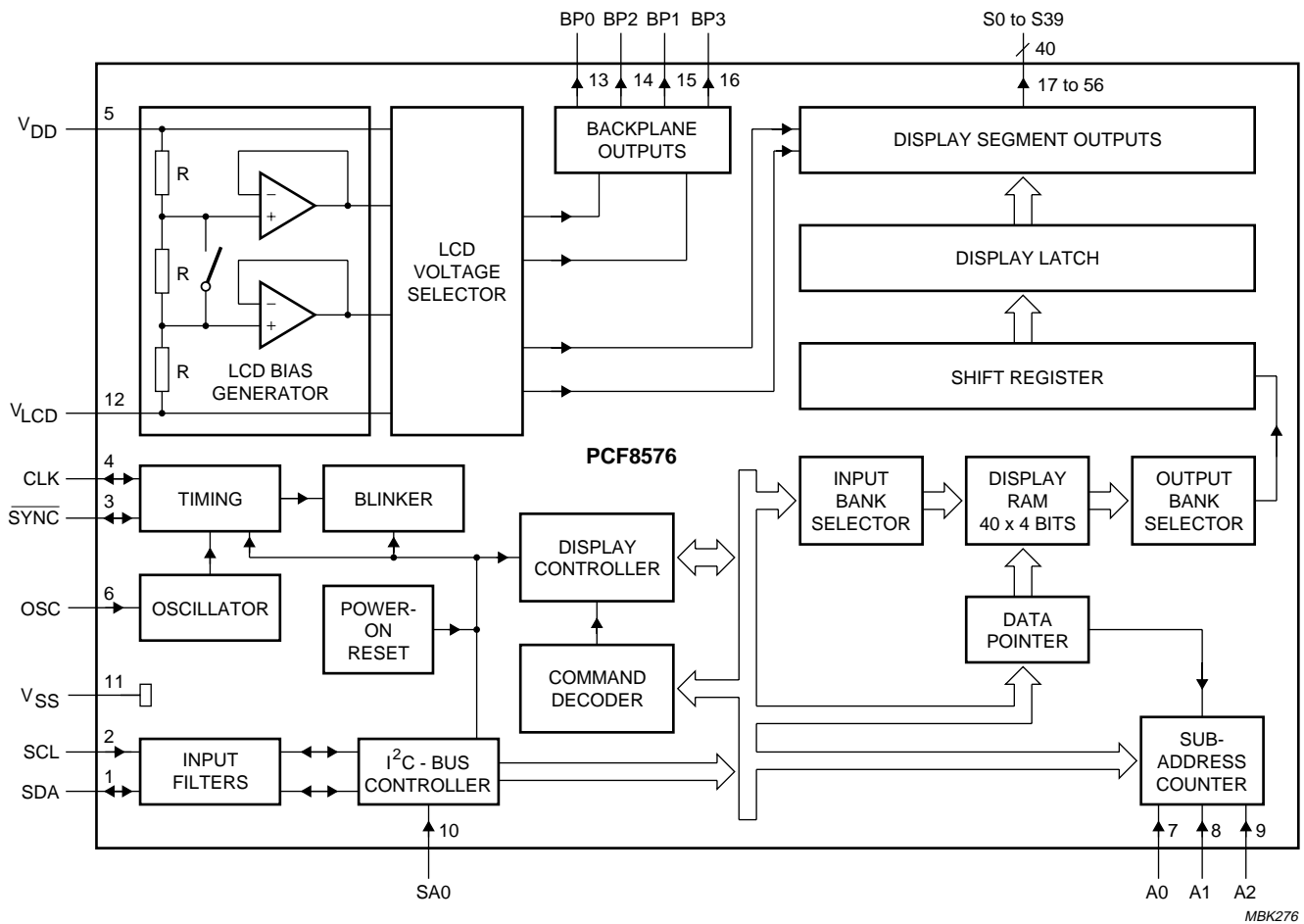


Fig.1 Block diagram (for VSO56 package; SOT190-1).

---

**Universal LCD driver for low multiplex rates**

---

**PCF8576****5 PINNING**

<b>SYMBOL</b>	<b>PIN</b>	<b>DESCRIPTION</b>
SDA	1	I <sup>2</sup> C-bus serial data input/output
SCL	2	I <sup>2</sup> C-bus serial clock input
$\overline{\text{SYNC}}$	3	cascade synchronization input/output
CLK	4	external clock input/output
V <sub>DD</sub>	5	supply voltage
OSC	6	oscillator input
A0 to A2	7 to 9	I <sup>2</sup> C-bus subaddress inputs
SA0	10	I <sup>2</sup> C-bus slave address input; bit 0
V <sub>SS</sub>	11	logic ground
V <sub>LCD</sub>	12	LCD supply voltage
BP0, BP2, BP1 and BP3	13 to 16	LCD backplane outputs
S0 to S39	17 to 56	LCD segment outputs

Universal LCD driver for low multiplex rates

PCF8576

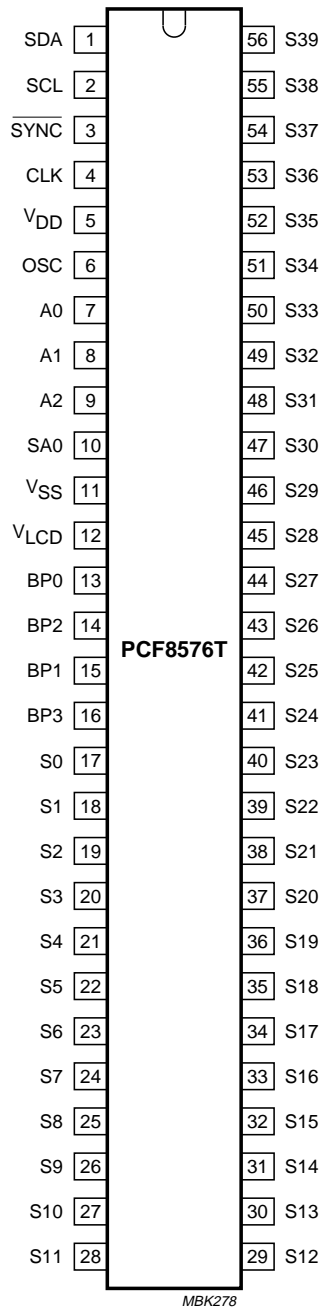


Fig.2 Pin configuration; SOT190-1.

# Universal LCD driver for low multiplex rates

PCF8576

## 6 FUNCTIONAL DESCRIPTION

The PCF8576 is a versatile peripheral device designed to interface to any microprocessor/microcontroller to a wide variety of LCDs. It can directly drive any static or multiplexed LCD containing up to four backplanes and up to 40 segments. The display configurations possible with the PCF8576 depend on the number of active backplane outputs required; a selection of display configurations is given in Table 1.

The host microprocessor/microcontroller maintains the 2-line I<sup>2</sup>C-bus communication channel with the PCF8576. The internal oscillator is selected by connecting pin OSC to pin V<sub>SS</sub>. The appropriate biasing voltages for the multiplexed LCD waveforms are generated internally. The only other connections required to complete the system are to the power supplies (V<sub>DD</sub>, V<sub>SS</sub> and V<sub>LCD</sub>) and the LCD panel chosen for the application.

All of the display configurations given in Table 1 can be implemented in the typical system shown in Fig.3.

**Table 1** Selection of display configurations

NUMBER OF		7-SEGMENTS NUMERIC		14-SEGMENTS ALPHANUMERIC		DOT MATRIX
BACKPLANES	SEGMENTS	DIGITS	INDICATOR SYMBOLS	CHARACTERS	INDICATOR SYMBOLS	
4	160	20	20	10	20	160 dots (4 × 40)
3	120	15	15	8	8	120 dots (3 × 40)
2	80	10	10	5	10	80 dots (2 × 40)
1	40	5	5	2	12	40 dots (1 × 40)

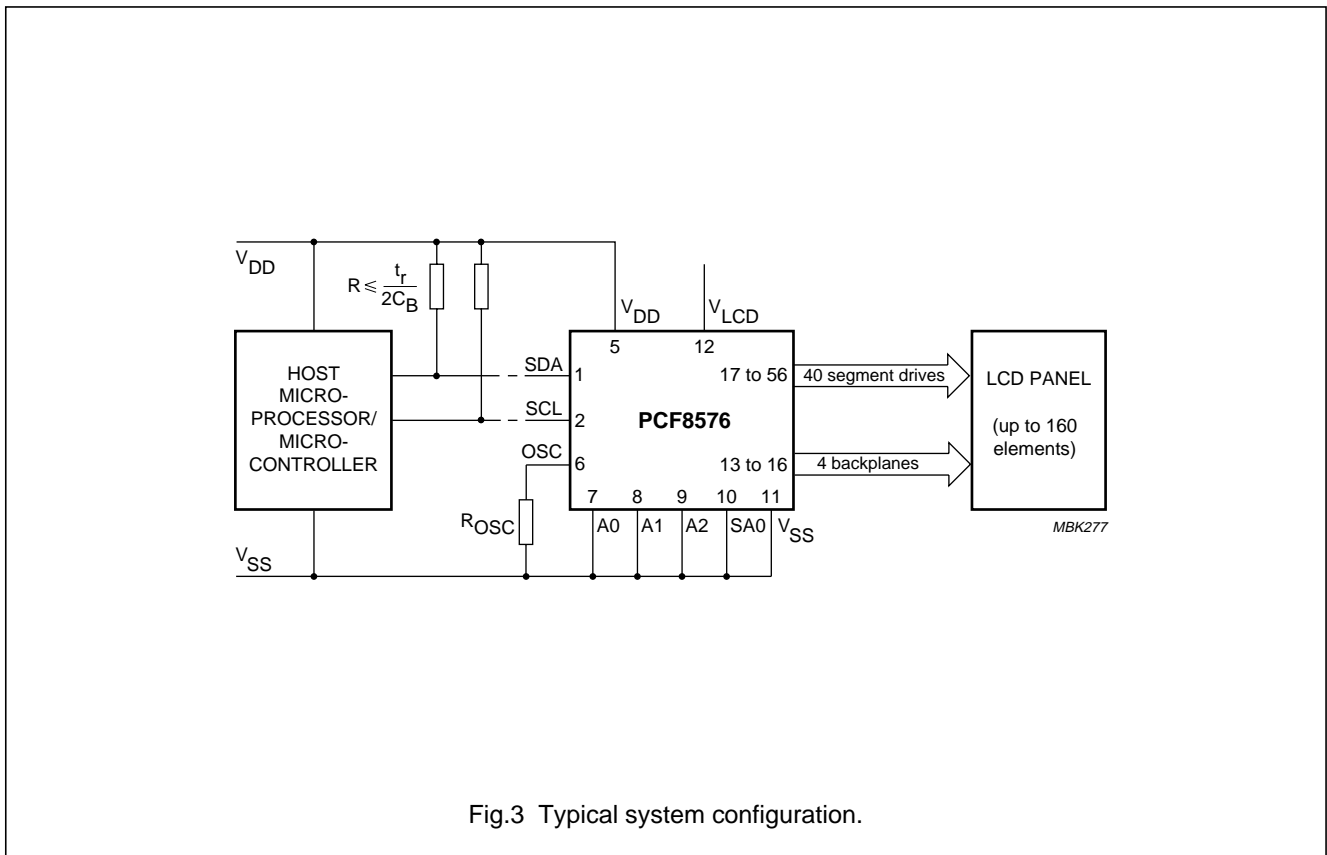


Fig.3 Typical system configuration.

# Universal LCD driver for low multiplex rates

PCF8576

## 6.1 Power-on reset

At power-on the PCF8576 resets to a starting condition as follows:

1. All backplane outputs are set to  $V_{DD}$ .
2. All segment outputs are set to  $V_{DD}$ .
3. The drive mode '1 : 4 multiplex with  $\frac{1}{3}$  bias' is selected.
4. Blinking is switched off.
5. Input and output bank selectors are reset (as defined in Table 5).
6. The I<sup>2</sup>C-bus interface is initialized.
7. The data pointer and the subaddress counter are cleared.

Data transfers on the I<sup>2</sup>C-bus should be avoided for 1 ms following power-on to allow completion of the reset action.

## 6.2 LCD bias generator

The full-scale LCD voltage ( $V_{op}$ ) is obtained from  $V_{DD} - V_{LCD}$ . The LCD voltage may be temperature compensated externally through the  $V_{LCD}$  supply to pin 12. Fractional LCD biasing voltages are obtained from an internal voltage divider of the three series resistors connected between  $V_{DD}$  and  $V_{LCD}$ . The centre resistor can be switched out of the circuit to provide a  $\frac{1}{2}$  bias voltage level for the 1 : 2 multiplex configuration.

## 6.3 LCD voltage selector

The LCD voltage selector co-ordinates the multiplexing of the LCD in accordance with the selected LCD drive configuration. The operation of the voltage selector is controlled by MODE SET commands from the command decoder. The biasing configurations that apply to the preferred modes of operation, together with the biasing characteristics as functions of  $V_{op} = V_{DD} - V_{LCD}$  and the resulting discrimination ratios (D), are given in Table 2.

A practical value for  $V_{op}$  is determined by equating  $V_{off(rms)}$  with a defined LCD threshold voltage ( $V_{th}$ ), typically when the LCD exhibits approximately 10% contrast. In the static drive mode a suitable choice is  $V_{op} > 3V_{th}$  approximately.

Multiplex drive ratios of 1 : 3 and 1 : 4 with  $\frac{1}{2}$  bias are possible but the discrimination and hence the contrast ratios are smaller ( $\sqrt{3} = 1.732$  for 1 : 3 multiplex or

$$\frac{\sqrt{21}}{3} = 1.528 \text{ for 1 : 4 multiplex}).$$

The advantage of these modes is a reduction of the LCD full-scale voltage  $V_{op}$  as follows:

- 1 : 3 multiplex ( $\frac{1}{2}$  bias):  

$$V_{op} = \sqrt{6} \times V_{off(rms)} = 2.449 V_{off(rms)}$$
- 1 : 4 multiplex ( $\frac{1}{2}$  bias):  

$$V_{op} = \left[ \frac{(4 \times \sqrt{3})}{3} \right] = 2.309 V_{off(rms)}$$

These compare with  $V_{op} = 3 V_{off(rms)}$  when  $\frac{1}{3}$  bias is used.

**Table 2** Preferred LCD drive modes: summary of characteristics

LCD DRIVE MODE	NUMBER OF		LCD BIAS CONFIGURATION	$\frac{V_{off(rms)}}{V_{op}}$	$\frac{V_{on(rms)}}{V_{op}}$	$D = \frac{V_{on(rms)}}{V_{off(rms)}}$
	BACKPLANES	LEVELS				
static	1	2	static	0	1	$\infty$
1 : 2	2	3	$\frac{1}{2}$	0.354	0.791	2.236
1 : 2	2	4	$\frac{1}{3}$	0.333	0.745	2.236
1 : 3	3	4	$\frac{1}{3}$	0.333	0.638	1.915
1 : 4	4	4	$\frac{1}{3}$	0.333	0.577	1.732



# Universal LCD driver for low multiplex rates

PCF8576

## 6.4 LCD drive mode waveforms

### 6.4.1 STATIC DRIVE MODE

The static LCD drive mode is used when a single backplane is provided in the LCD. Backplane and segment drive waveforms for this mode are shown in Fig.4.

### 6.4.2 1 : 2 MULTIPLEX DRIVE MODE

When two backplanes are provided in the LCD, the 1 : 2 multiplex mode applies. The PCF8576 allows use of 1/2 bias or 1/3 bias in this mode as shown in Fig 5 and 6.

### 6.4.3 1 : 3 MULTIPLEX DRIVE MODE

When three backplanes are provided in the LCD, the 1 : 3 multiplex drive mode applies, as shown in Fig.7.

### 6.4.4 1 : 4 MULTIPLEX DRIVE MODE

When four backplanes are provided in the LCD, the 1 : 4 multiplex drive mode applies, as shown in Fig.8.

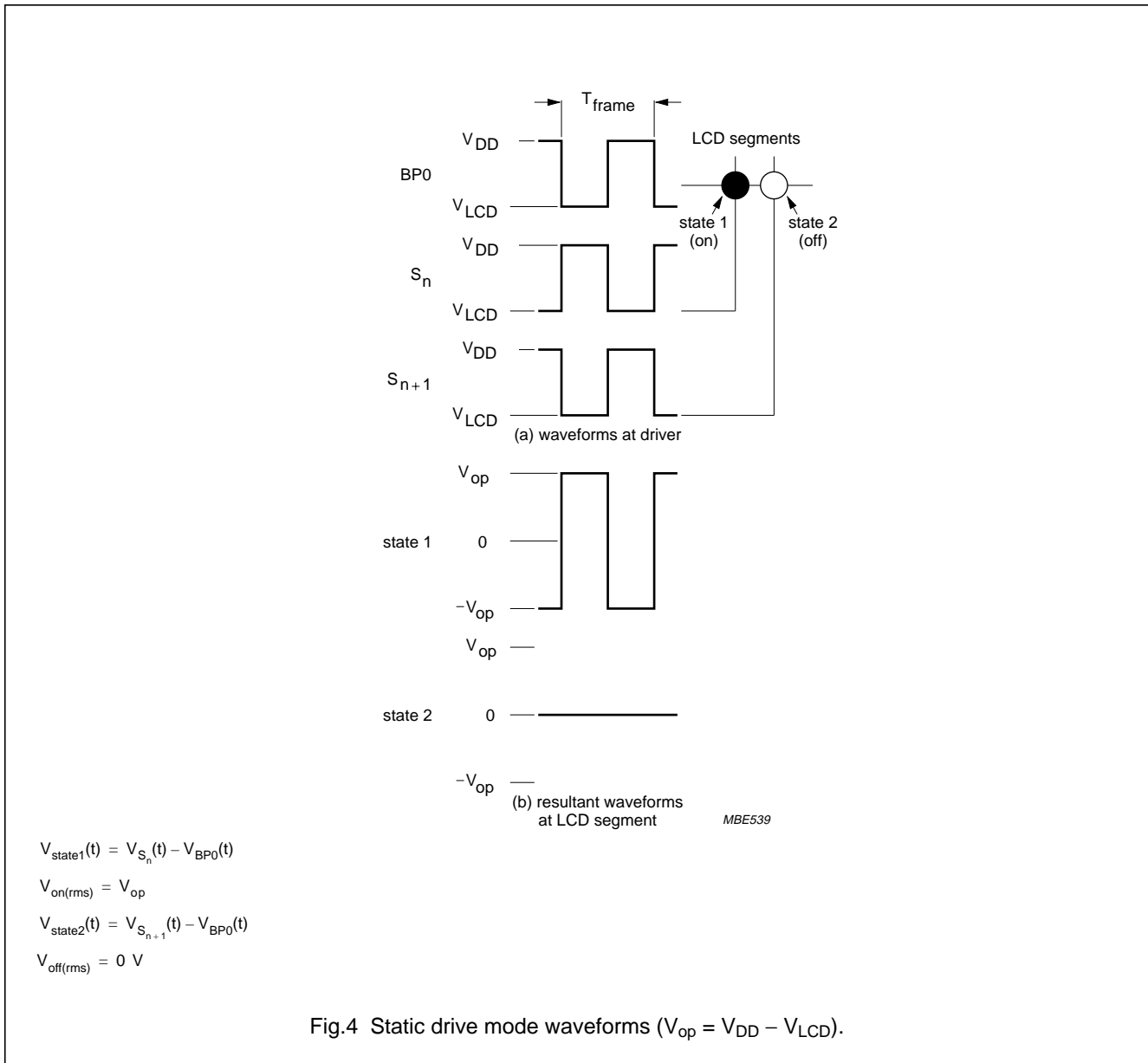
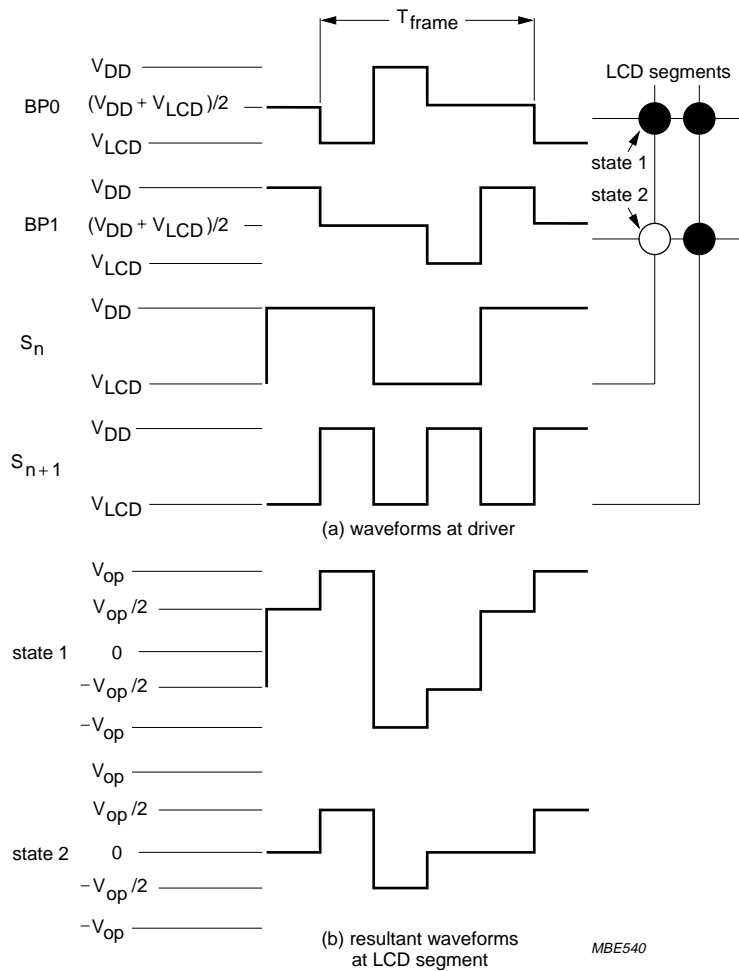


Fig.4 Static drive mode waveforms (V<sub>op</sub> = V<sub>DD</sub> - V<sub>LCD</sub>).

Universal LCD driver for low multiplex rates

PCF8576



$$V_{state1}(t) = V_{S_n}(t) - V_{BP0}(t)$$

$$V_{on(rms)} = 0.791V_{op}$$

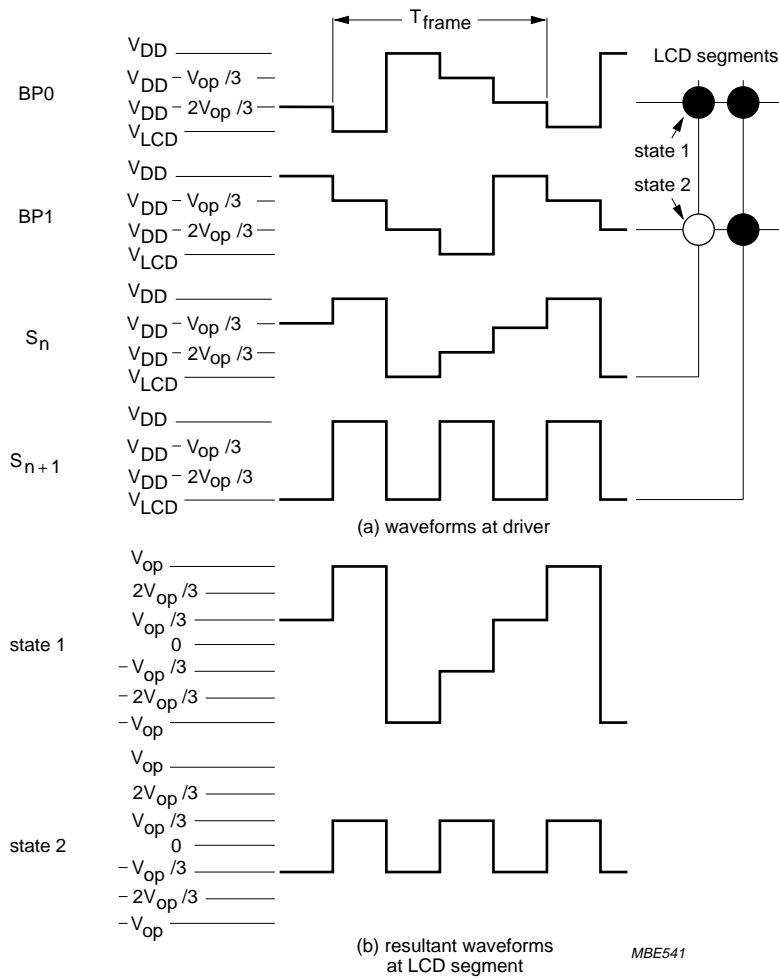
$$V_{state2}(t) = V_{S_n}(t) - V_{BP1}(t)$$

$$V_{off(rms)} = 0.354V_{op}$$

Fig.5 Waveforms for the 1 : 2 multiplex drive mode with 1/2 bias ( $V_{op} = V_{DD} - V_{LCD}$ ).

Universal LCD driver for low multiplex rates

PCF8576



$$V_{state1}(t) = V_{S_n}(t) - V_{BP0}(t)$$

$$V_{on(rms)} = 0.745V_{op}$$

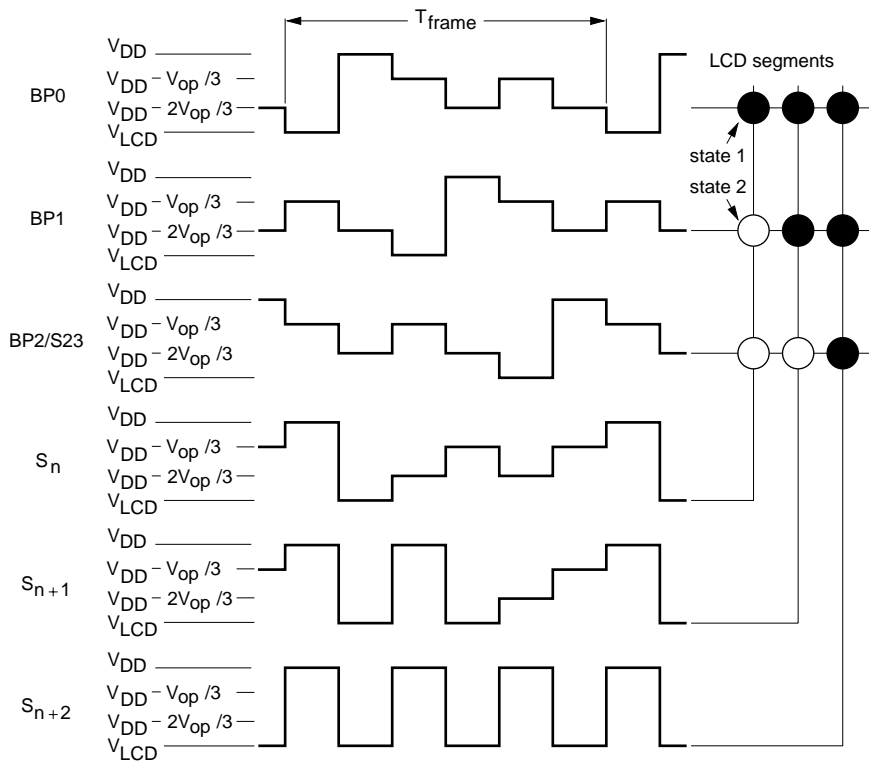
$$V_{state2}(t) = V_{S_n}(t) - V_{BP1}(t)$$

$$V_{off(rms)} = 0.333V_{op}$$

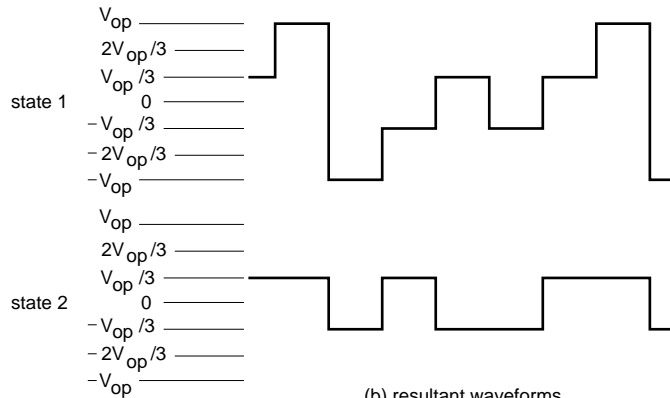
Fig.6 Waveforms for the 1 : 2 multiplex drive mode with 1/3 bias ( $V_{op} = V_{DD} - V_{LCD}$ ).

Universal LCD driver for low multiplex rates

PCF8576



(a) waveforms at driver



(b) resultant waveforms at LCD segment

MBE542

$$V_{state1}(t) = V_{S_n}(t) - V_{BP0}(t)$$

$$V_{on(rms)} = 0.638V_{op}$$

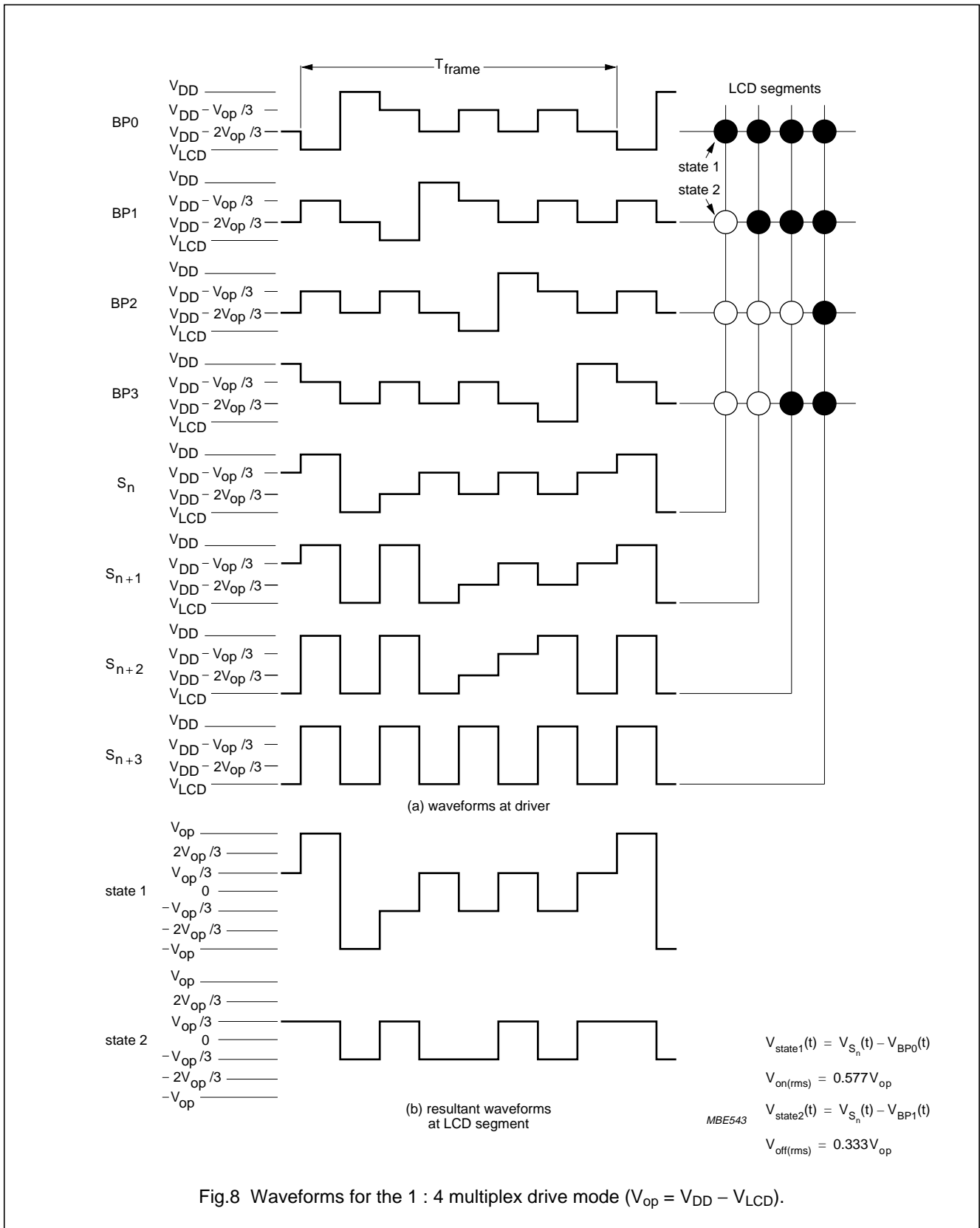
$$V_{state2}(t) = V_{S_n}(t) - V_{BP1}(t)$$

$$V_{off(rms)} = 0.333V_{op}$$

Fig.7 Waveforms for the 1 : 3 multiplex drive mode ( $V_{op} = V_{DD} - V_{LCD}$ ).

Universal LCD driver for low multiplex rates

PCF8576



# Universal LCD driver for low multiplex rates

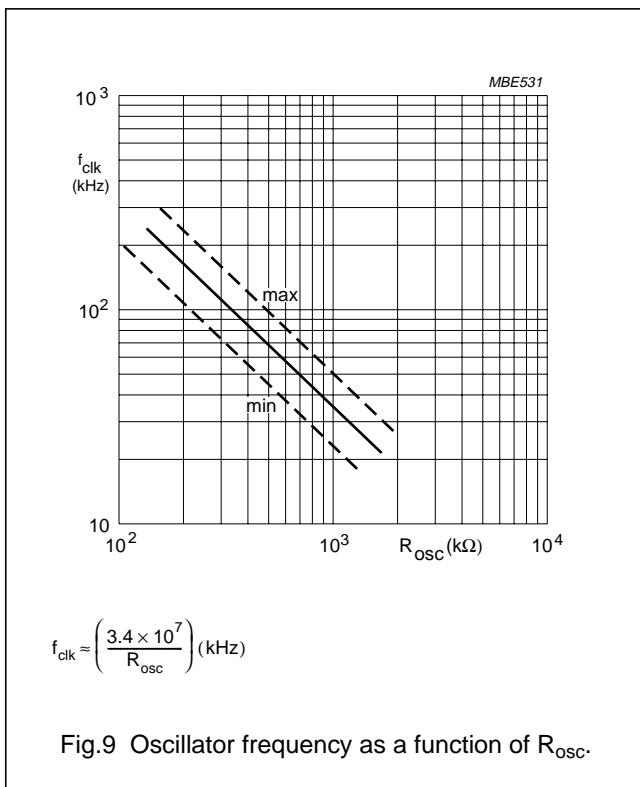
PCF8576

## 6.5 Oscillator

### 6.5.1 INTERNAL CLOCK

The internal logic and the LCD drive signals of the PCF8576 are timed either by the internal oscillator or from an external clock. When the internal oscillator is used, pin OSC should be connected to pin V<sub>SS</sub>. In this event, the output from pin CLK provides the clock signal for cascaded PCF8566s in the system.

Where resistor R<sub>osc</sub> to V<sub>SS</sub> is present, the internal oscillator is selected. The relationship between the oscillator frequency on pin CLK (f<sub>clk</sub>) and R<sub>osc</sub> is shown in Fig.9.



### 6.5.2 EXTERNAL CLOCK

The condition for external clock is made by connecting pin OSC to pin V<sub>DD</sub>; pin CLK then becomes the external clock input.

The clock frequency (f<sub>clk</sub>) determines the LCD frame frequency and the maximum rate for data reception from the I<sup>2</sup>C-bus. To allow I<sup>2</sup>C-bus transmissions at their maximum data rate of 100 kHz, f<sub>clk</sub> should be chosen to be above 125 kHz.

A clock signal must always be supplied to the device; removing the clock may freeze the LCD in a DC state.

## 6.6 Timing

The timing of the PCF8576 organizes the internal data flow of the device. This includes the transfer of display data from the display RAM to the display segment outputs. In cascaded applications, the synchronization signal SYNC maintains the correct timing relationship between the PCF8576s in the system. The timing also generates the LCD frame frequency which it derives as an integer multiple of the clock frequency (see Table 3). The frame frequency is set by the MODE SET commands when internal clock is used, or by the frequency applied to pin CLK when external clock is used.

The ratio between the clock frequency and the LCD frame frequency depends on the mode in which the device is operating. In the power-saving mode the reduction ratio is six times smaller; this allows the clock frequency to be reduced by a factor of six. The reduced clock frequency results in a significant reduction in power dissipation. The lower clock frequency has the disadvantage of increasing the response time when large amounts of display data are transmitted on the I<sup>2</sup>C-bus.

When a device is unable to digest a display data byte before the next one arrives, it holds the SCL line LOW until the first display data byte is stored. This slows down the transmission rate of the I<sup>2</sup>C-bus but no data loss occurs.

**Table 3** LCD frame frequencies

PCF8576 MODE	FRAME FREQUENCY	NOMINAL FRAME FREQUENCY (Hz)
Normal mode	$\frac{f_{clk}}{2880}$	64
Power-saving mode	$\frac{f_{clk}}{480}$	64

## 6.7 Display latch

The display latch holds the display data while the corresponding multiplex signals are generated. There is a one-to-one relationship between the data in the display latch, the LCD segment outputs and one column of the display RAM.

## 6.8 Shift register

The shift register serves to transfer display information from the display RAM to the display latch while previous data is displayed.



## Universal LCD driver for low multiplex rates

PCF8576

### 6.12 Data pointer

The addressing mechanism for the display RAM is realized using the data pointer. This allows the loading of an individual display data byte, or a series of display data bytes, into any location of the display RAM. The sequence commences with the initialization of the data pointer by the LOAD DATA POINTER command. Following this, an arriving data byte is stored starting at the display RAM address indicated by the data pointer thereby observing the filling order shown in Fig.11. The data pointer is automatically incremented in accordance with the chosen LCD configuration. That is, after each byte is stored, the contents of the data pointer are incremented by eight (static drive mode), by four (1 : 2 multiplex drive mode) or by two (1 : 4 multiplex drive mode).

### 6.13 Subaddress counter

The storage of display data is conditioned by the contents of the subaddress counter. Storage is allowed to take place only when the contents of the subaddress counter agree with the hardware subaddress applied to A0, A1 and A2. The subaddress counter value is defined by the DEVICE SELECT command. If the contents of the subaddress counter and the hardware subaddress do not agree then data storage is inhibited but the data pointer is incremented as if data storage had taken place. The subaddress counter is also incremented when the data pointer overflows.

The storage arrangements described lead to extremely efficient data loading in cascaded applications. When a series of display bytes are sent to the display RAM, automatic wrap-over to the next PCF8576 occurs when the last RAM address is exceeded. Subaddressing across device boundaries is successful even if the change to the next device in the cascade occurs within a transmitted character (such as during the 14th display data byte transmitted in 1 : 3 multiplex mode).

### 6.14 Output bank selector

This selects one of the four bits per display RAM address for transfer to the display latch. The actual bit chosen depends on the particular LCD drive mode in operation and on the instant in the multiplex sequence. In 1 : 4 multiplex, all RAM addresses of bit 0 are the first to be selected, these are followed by the contents of bit 1, bit 2 and then bit 3. Similarly in 1 : 3 multiplex, bits 0, 1 and 2 are selected sequentially. In 1 : 2 multiplex, bits 0 and 1 are selected and, in the static mode, bit 0 is selected.

The PCF8576 includes a RAM bank switching feature in the static and 1 : 2 multiplex drive modes. In the static drive mode, the BANK SELECT command may request the contents of bit 2 to be selected for display instead of bit 0 contents. In the 1 : 2 drive mode, the contents of bits 2 and 3 may be selected instead of bits 0 and 1. This gives the provision for preparing display information in an alternative bank and to be able to switch to it once it is assembled.

### 6.15 Input bank selector

The input bank selector loads display data into the display RAM in accordance with the selected LCD drive configuration. Display data can be loaded in bit 2 in static drive mode or in bits 2 and 3 in 1 : 2 drive mode by using the BANK SELECT command. The input bank selector functions independent of the output bank selector.

### 6.16 Blinker

The display blinking capabilities of the PCF8576 are very versatile. The whole display can be blinked at frequencies selected by the BLINK command. The blinking frequencies are integer multiples of the clock frequency; the ratios between the clock and blinking frequencies depend on the mode in which the device is operating, as shown in Table 4.

An additional feature is for an arbitrary selection of LCD segments to be blinked. This applies to the static and 1 : 2 LCD drive modes and can be implemented without any communication overheads. By means of the output bank selector, the displayed RAM banks are exchanged with alternate RAM banks at the blinking frequency. This mode can also be specified by the BLINK command.

In the 1 : 3 and 1 : 4 multiplex modes, where no alternate RAM bank is available, groups of LCD segments can be blinked by selectively changing the display RAM data at fixed time intervals.

If the entire display is to be blinked at a frequency other than the nominal blinking frequency, this can be effectively performed by resetting and setting the display enable bit E at the required rate using the MODE SET command.



# Universal LCD driver for low multiplex rates

PCF8576

**Table 4** Blinking frequencies

BLINKING MODE	NORMAL OPERATING MODE RATIO	POWER-SAVING MODE RATIO	NOMINAL BLINKING FREQUENCY
Off	–	–	blinking off
2 Hz	$\frac{f_{\text{clk}}}{92160}$	$\frac{f_{\text{clk}}}{15360}$	2 Hz
1 Hz	$\frac{f_{\text{clk}}}{184320}$	$\frac{f_{\text{clk}}}{30720}$	1 Hz
0.5 Hz	$\frac{f_{\text{clk}}}{368640}$	$\frac{f_{\text{clk}}}{61440}$	0.5 Hz



## Universal LCD driver for low multiplex rates

PCF8576

### 7 CHARACTERISTICS OF THE I<sup>2</sup>C-BUS

The I<sup>2</sup>C-bus is for bidirectional, two-line communication between different ICs or modules. The two lines are a serial data line (SDA) and a serial clock line (SCL). Both lines must be connected to a positive supply via a pull-up resistor when connected to the output stages of a device. Data transfer may be initiated only when the bus is not busy.

#### 7.1 Bit transfer (see Fig.12)

One data bit is transferred during each clock pulse. The data on the SDA line must remain stable during the HIGH period of the clock pulse as changes in the data line at this time will be interpreted as a control signal.

#### 7.2 START and STOP conditions (see Fig.13)

Both data and clock lines remain HIGH when the bus is not busy. A HIGH-to-LOW transition of the data line, while the clock is HIGH is defined as the START condition (S). A LOW-to-HIGH transition of the data line while the clock is HIGH is defined as the STOP condition (P).

#### 7.3 System configuration (see Fig.14)

A device generating a message is a 'transmitter', a device receiving a message is the 'receiver'. The device that controls the message is the 'master' and the devices which are controlled by the master are the 'slaves'.

#### 7.4 Acknowledge (see Fig.15)

The number of data bytes transferred between the START and STOP conditions from transmitter to receiver is unlimited. Each byte of eight bits is followed by an acknowledge bit. The acknowledge bit is a HIGH level signal put on the bus by the transmitter during which time the master generates an extra acknowledge related clock pulse. A slave receiver which is addressed must generate an acknowledge after the reception of each byte. Also a master receiver must generate an acknowledge after the reception of each byte that has been clocked out of the slave transmitter. The device that acknowledges must pull-down the SDA line during the acknowledge clock pulse, so that the SDA line is stable LOW during the HIGH period of the acknowledge related clock pulse (set-up and hold times must be taken into consideration). A master receiver must signal an end of data to the transmitter by not generating an acknowledge on the last byte that has been clocked out of the slave. In this event the transmitter must leave the data line HIGH to enable the master to generate a STOP condition.

### 7.5 PCF8576 I<sup>2</sup>C-bus controller

The PCF8576 acts as an I<sup>2</sup>C-bus slave receiver. It does not initiate I<sup>2</sup>C-bus transfers or transmit data to an I<sup>2</sup>C-bus master receiver. The only data output from the PCF8576 are the acknowledge signals of the selected devices. Device selection depends on the I<sup>2</sup>C-bus slave address, on the transferred command data and on the hardware subaddress.

In single device application, the hardware subaddress inputs A0, A1 and A2 are normally connected to V<sub>SS</sub> which defines the hardware subaddress 0. In multiple device applications A0, A1 and A2 are connected to V<sub>SS</sub> or V<sub>DD</sub> in accordance with a binary coding scheme such that no two devices with a common I<sup>2</sup>C-bus slave address have the same hardware subaddress.

In the power-saving mode it is possible that the PCF8576 is not able to keep up with the highest transmission rates when large amounts of display data are transmitted. If this situation occurs, the PCF8576 forces the SCL line to LOW until its internal operations are completed. This is known as the 'clock synchronization feature' of the I<sup>2</sup>C-bus and serves to slow down fast transmitters. Data loss does not occur.

#### 7.6 Input filters

To enhance noise immunity in electrically adverse environments, RC low-pass filters are provided on the SDA and SCL lines.

#### 7.7 I<sup>2</sup>C-bus protocol

Two I<sup>2</sup>C-bus slave addresses (0111000 and 0111001) are reserved for the PCF8576. The least significant bit of the slave address that a PCF8576 will respond to is defined by the level connected at its input pin SA0. Therefore, two types of PCF8576 can be distinguished on the same I<sup>2</sup>C-bus which allows:

- Up to 16 PCF8576s on the same I<sup>2</sup>C-bus for very large LCD applications
- The use of two types of LCD multiplex on the same I<sup>2</sup>C-bus.

The I<sup>2</sup>C-bus protocol is shown in Fig.16. The sequence is initiated with a START condition (S) from the I<sup>2</sup>C-bus master which is followed by one of the two PCF8576 slave addresses available. All PCF8576s with the corresponding SA0 level acknowledge in parallel with the slave address but all PCF8576s with the alternative SA0 level ignore the whole I<sup>2</sup>C-bus transfer.

# Universal LCD driver for low multiplex rates

PCF8576

After acknowledgement, one or more command bytes (m) follow which define the status of the addressed PCF8576s.

The last command byte is tagged with a cleared most significant bit, the continuation bit C. The command bytes are also acknowledged by all addressed PCF8576s on the bus.

After the last command byte, a series of display data bytes (n) may follow. These display bytes are stored in the display RAM at the address specified by the data pointer and the subaddress counter. Both data pointer and subaddress counter are automatically updated and the data is directed to the intended PCF8576 device.

The acknowledgement after each byte is made only by the (A0, A1 and A2) addressed PCF8576. After the last display byte, the I<sup>2</sup>C-bus master issues a STOP condition (P).

## 7.8 Command decoder

The command decoder identifies command bytes that arrive on the I<sup>2</sup>C-bus. All available commands carry a continuation bit C in their most significant bit position (Fig.17). When this bit is set, it indicates that the next byte of the transfer to arrive will also represent a command. If this bit is reset, it indicates the last command byte of the transfer. Further bytes will be regarded as display data.

The five commands available to the PCF8576 are defined in Table 5.

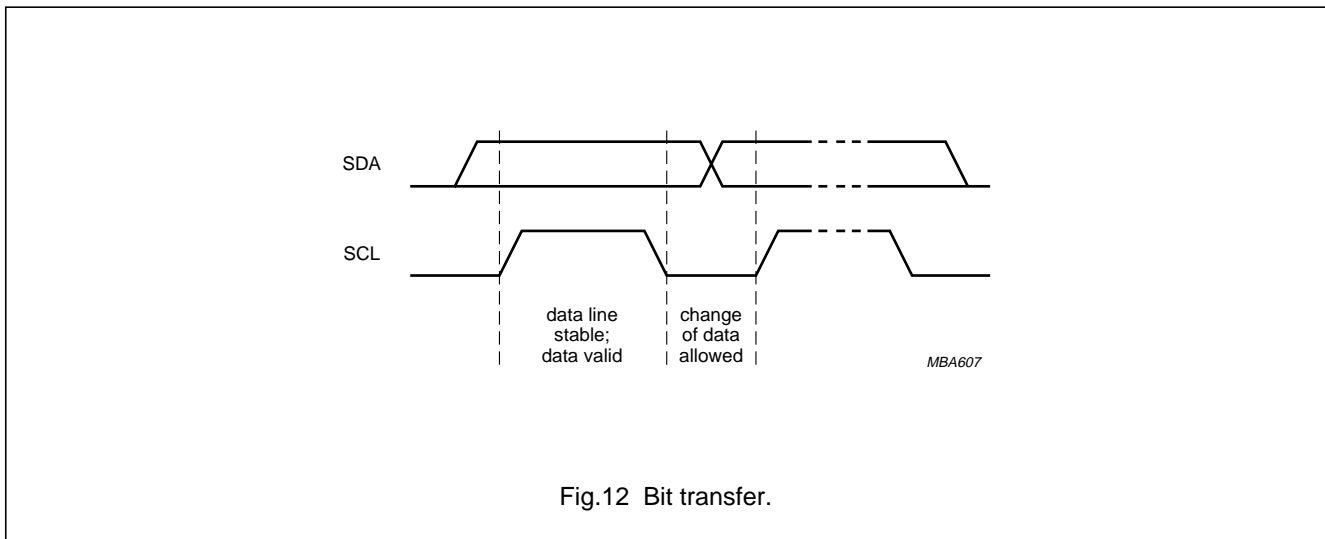


Fig.12 Bit transfer.

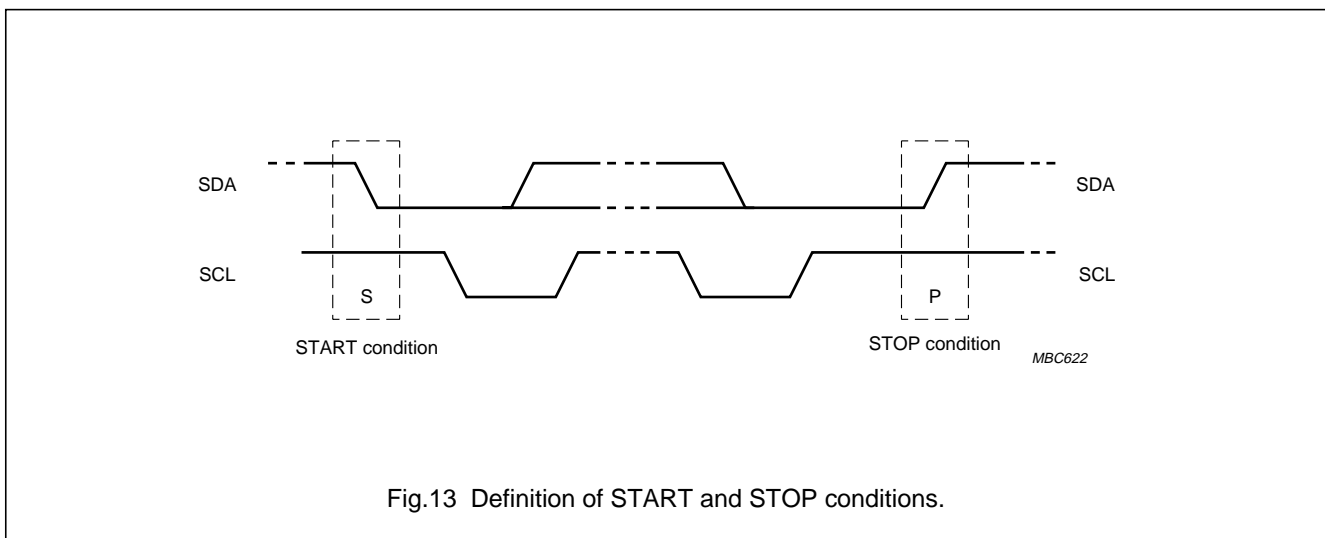


Fig.13 Definition of START and STOP conditions.

# Universal LCD driver for low multiplex rates

PCF8576

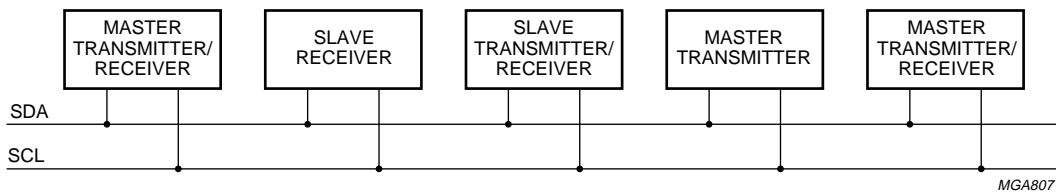


Fig.14 System configuration.

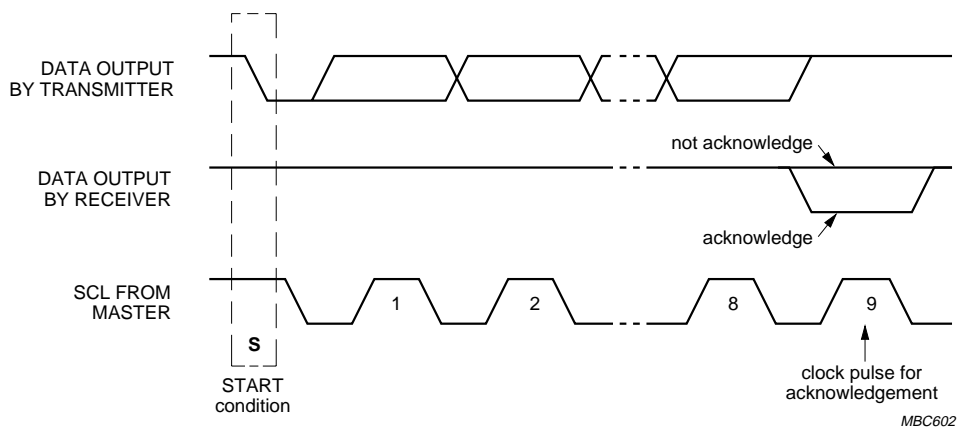
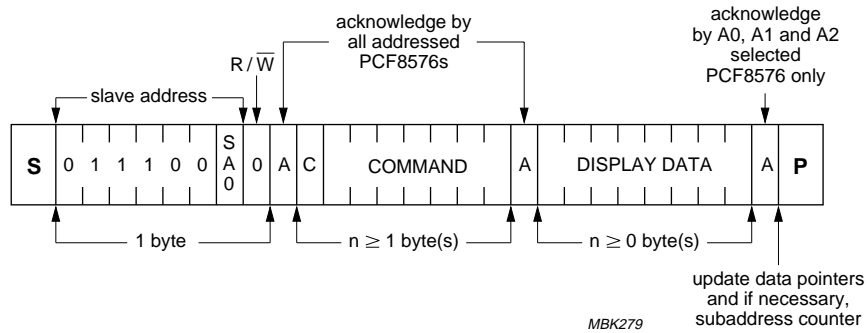


Fig.15 Acknowledgement on the I<sup>2</sup>C-bus.

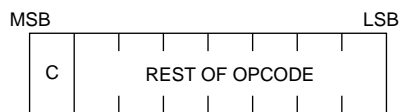
Universal LCD driver for low multiplex rates

PCF8576



MBK279

Fig.16 I<sup>2</sup>C-bus protocol.



MSA833

C = 0; last command.  
C = 1; commands continue.

Fig.17 General format of command byte.

# Universal LCD driver for low multiplex rates

PCF8576

**Table 5** Definition of PCF8576 commands

COMMAND	OPCODE	OPTIONS	DESCRIPTION
MODE SET	C 1 0 LP E B M1 M0	Table 6	Defines LCD drive mode.
		Table 7	Defines LCD bias configuration.
		Table 8	Defines display status. The possibility to disable the display allows implementation of blinking under external control.
		Table 9	Defines power dissipation mode.
LOADDATA POINTER	C 0 P5 P4 P3 P2 P1 P0	Table 10	Six bits of immediate data, bits P5 to P0, are transferred to the data pointer to define one of forty display RAM addresses.
DEVICE SELECT	C 1 1 0 0 A2 A1 A0	Table 11	Three bits of immediate data, bits A2 to A0, are transferred to the subaddress counter to define one of eight hardware subaddresses.
BANK SELECT	C 1 1 1 1 0 I O	Table 12	Defines input bank selection (storage of arriving display data).
		Table 13	Defines output bank selection (retrieval of LCD display data). The BANK SELECT command has no effect in 1 : 3 and 1 : 4 multiplex drive modes.
BLINK	C 1 1 1 0 A BF1 BF0	Table 14	Defines the blinking frequency.
		Table 15	Selects the blinking mode; normal operation with frequency set by BF1, BF0 or blinking by alternation of display RAM banks. Alternation blinking does not apply in 1 : 3 and 1 : 4 multiplex drive modes.

**Table 6** MODE SET option 1

LCD DRIVE MODE		BITS	
DRIVE MODE	BACKPLANE	M1	M0
Static	1 BP	0	1
1 : 2	MUX (2 BP)	1	0
1 : 3	MUX (3 BP)	1	1
1 : 4	MUX (4 BP)	0	0

**Table 7** MODE SET option 2

LCD BIAS	BIT B
1/3 bias	0
1/2 bias	1

**Table 8** MODE SET option 3

DISPLAY STATUS	BIT E
Disabled (blank)	0
Enabled	1

**Table 9** MODE SET option 4

MODE	BIT LP
Normal mode	0
Power-saving mode	1

**Table 10** LOAD DATA POINTER option 1

DESCRIPTION	BITS					
6-bit binary value of 0 to 39	P5	P4	P3	P2	P1	P0

**Table 11** DEVICE SELECT option 1

DESCRIPTION	BITS		
3-bit binary value of 0 to 7	A2	A1	A0

**Table 12** BANK SELECT option 1

STATIC	1 : 2 MUX	BIT I
RAM bit 0	RAM bits 0 and 1	0
RAM bit 2	RAM bits 2 and 3	1

## Universal LCD driver for low multiplex rates

PCF8576

**Table 13** BANK SELECT option 2

STATIC	1 : 2 MUX	BIT O
RAM bit 0	RAM bits 0 and 1	0
RAM bit 2	RAM bits 2 and 3	1

**Table 14** BLINK option 1

BLINK FREQUENCY	BITS	
	BF1	BF0
Off	0	0
2 Hz	0	1
1 Hz	1	0
0.5 Hz	1	1

**Table 15** BLINK option 2

BLINK MODE	BIT A
Normal blinking	0
Alternation blinking	1

### 7.9 Display controller

The display controller executes the commands identified by the command decoder. It contains the status registers of the PCF8576 and co-ordinates their effects.

The controller is also responsible for loading display data into the display RAM as required by the filling order.

### 7.10 Cascaded operation

In large display configurations, up to 16 PCF8576s can be distinguished on the same I<sup>2</sup>C-bus by using the 3-bit hardware subaddress (A0, A1 and A2) and the programmable I<sup>2</sup>C-bus slave address (SA0). When cascaded PCF8576s are synchronized so that they can share the backplane signals from one of the devices in the cascade. Such an arrangement is cost-effective in large LCD applications since the backplane outputs of only one device need to be through-plated to the backplane electrodes of the display. The other PCF8576s of the cascade contribute additional segment outputs but their backplane outputs are left open-circuit (see Fig.18).

The  $\overline{\text{SYNC}}$  line is provided to maintain the correct synchronization between all cascaded PCF8576s. This synchronization is guaranteed after the Power-on reset. The only time that SYNC is likely to be needed is if synchronization is accidentally lost (e.g. by noise in adverse electrical environments; or by the definition of a multiplex mode when PCF8576s with differing SA0 levels are cascaded). SYNC is organized as an input/output pin; the output selection being realized as an open-drain driver with an internal pull-up resistor. A PCF8576 asserts the  $\overline{\text{SYNC}}$  line at the onset of its last active backplane signal and monitors the  $\overline{\text{SYNC}}$  line at all other times. Should synchronization in the cascade be lost, it will be restored by the first PCF8576 to assert  $\overline{\text{SYNC}}$ . The timing relationship between the backplane waveforms and the  $\overline{\text{SYNC}}$  signal for the various drive modes of the PCF8576 are shown in Fig.19.

For single plane wiring of packaged PCF8576s and chip-on-glass cascading, see Chapter 12.



Universal LCD driver for low multiplex rates

PCF8576

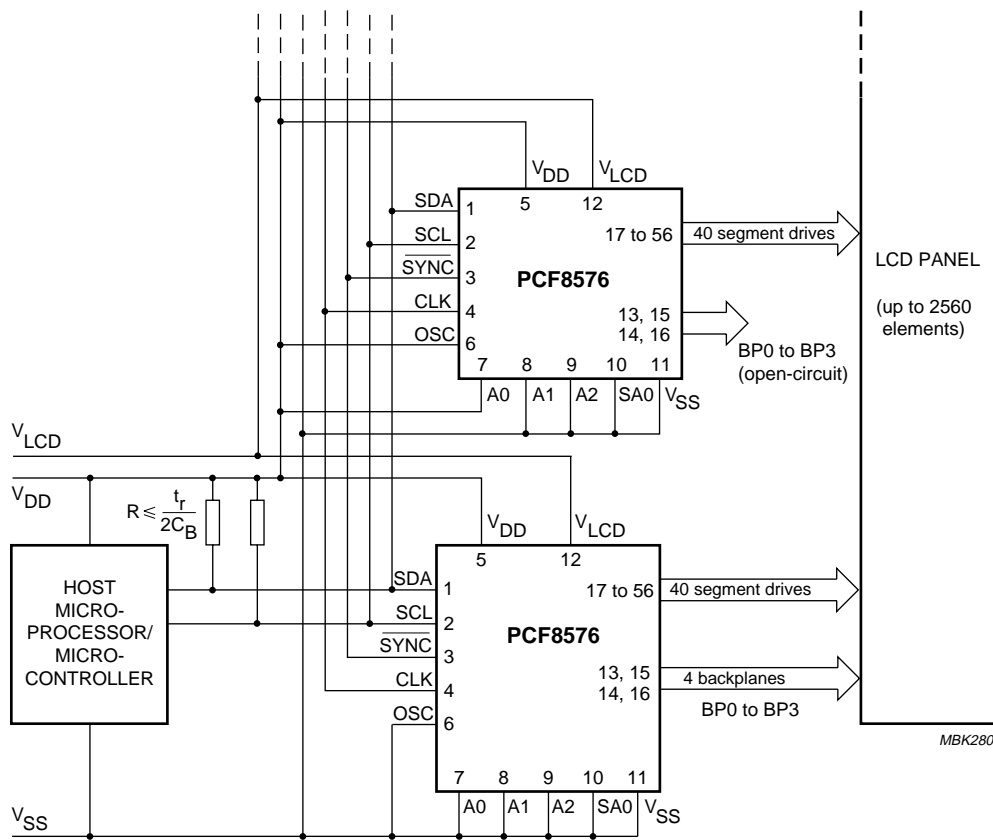
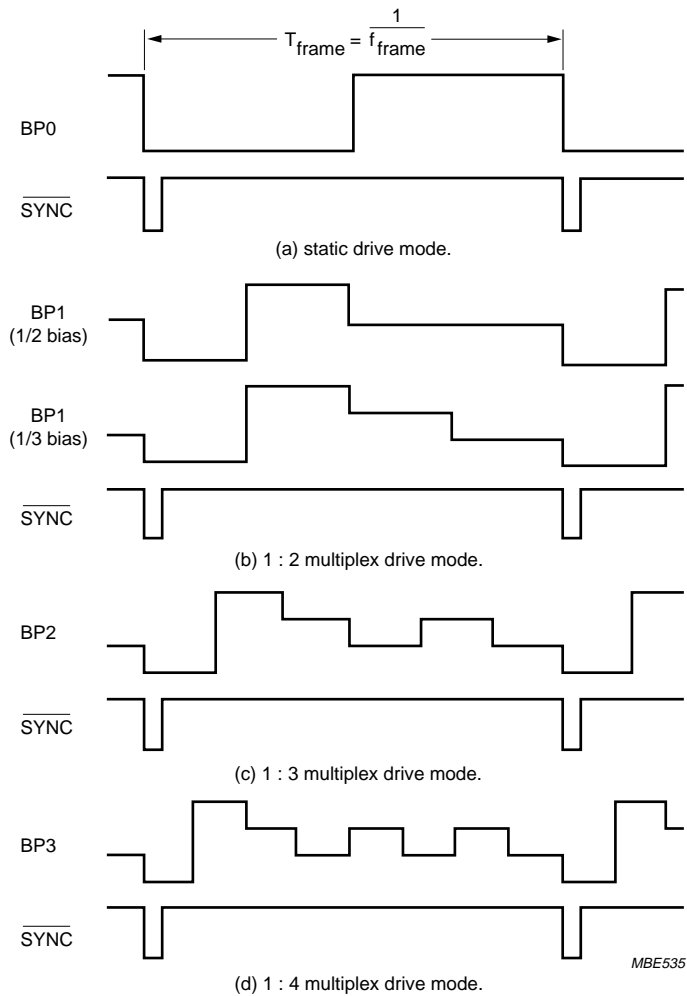


Fig.18 Cascaded PCF8576 configuration.

Universal LCD driver for low multiplex rates

PCF8576



Excessive capacitive coupling between SCL or CLK and  $\overline{\text{SYNC}}$  may cause erroneous synchronization. If this proves to be a problem, the capacitance of the SYNC line should be increased (e.g. by an external capacitor between SYNC and  $V_{DD}$ ). Degradation of the positive edge of the SYNC pulse may be countered by an external pull-up resistor.

Fig.19 Synchronization of the cascade for the various PCF8576 drive modes.

# Universal LCD driver for low multiplex rates

PCF8576

## 8 LIMITING VALUES

In accordance with the Absolute Maximum Rating System (IEC 134).

SYMBOL	PARAMETER	MIN.	MAX.	UNIT
$V_{DD}$	supply voltage	-0.5	+11.0	V
$V_{LCD}$	LCD supply voltage	$V_{DD} - 11.0$	$V_{DD}$	V
$V_I$	input voltage SDA, SCL, CLK, $\overline{SYNC}$ , SA0, OSC, A0 to A2	$V_{SS} - 0.5$	$V_{DD} + 0.5$	V
$V_O$	output voltage S0 to S39, BP0 to BP3	$V_{LCD} - 0.5$	$V_{DD} + 0.5$	V
$I_I$	DC input current	-	20	mA
$I_O$	DC output current	-	25	mA
$I_{DD}, I_{SS}, I_{LCD}$	$V_{DD}, V_{SS}$ or $V_{LCD}$ current	-	50	mA
$P_{tot}$	total power dissipation	-	400	mW
$P_O$	power dissipation per output	-	100	mW
$T_{stg}$	storage temperature	-65	+150	°C

## 9 HANDLING

Inputs and outputs are protected against electrostatic discharge in normal handling. However, to be totally safe, it is desirable to take normal precautions appropriate to handling MOS devices (see "Handling MOS Devices").

# Universal LCD driver for low multiplex rates

PCF8576

## 10 DC CHARACTERISTICS

$V_{DD} = 2$  to  $9$  V;  $V_{SS} = 0$  V;  $V_{LCD} = V_{DD} - 2$  V to  $V_{DD} - 9$  V;  $T_{amb} = -40$  to  $+85$  °C; unless otherwise specified.

SYMBOL	PARAMETER	CONDITIONS	MIN.	TYP.	MAX.	UNIT
<b>Supplies</b>						
$V_{DD}$	supply voltage		2	–	9	V
$V_{LCD}$	LCD supply voltage	note 1	$V_{DD} - 9$	–	$V_{DD} - 2$	V
$I_{DD}$	supply current	note 2				
	normal mode	$f_{clk} = 200$ kHz	–	–	180	$\mu$ A
	power-saving mode	$f_{clk} = 35$ kHz; $V_{DD} = 3.5$ V; $V_{LCD} = 0$ V; A0, A1 and A2 connected to $V_{SS}$	–	–	60	$\mu$ A
<b>Logic</b>						
$V_{IL}$	LOW-level input voltage		$V_{SS}$	–	$0.3V_{DD}$	V
$V_{IH}$	HIGH-level input voltage		$0.7V_{DD}$	–	$V_{DD}$	V
$V_{OL}$	LOW-level output voltage	$I_{OL} = 0$ mA	–	–	0.05	V
$V_{OH}$	HIGH-level output voltage	$I_{OH} = 0$ mA	$V_{DD} - 0.05$	–	–	V
$I_{OL1}$	LOW-level output current CLK, SYNC	$V_{OL} = 1$ V; $V_{DD} = 5$ V	1	–	–	mA
$I_{OH1}$	HIGH-level output current CLK	$V_{OH} = 4$ V; $V_{DD} = 5$ V	1	–	–	mA
$I_{OL2}$	LOW-level output current SDA and SCL	$V_{OL} = 0.4$ V; $V_{DD} = 5$ V	3	–	–	mA
$I_{L1}$	leakage current SA0, A0 to A2, CLK, SDA and SCL	$V_I = V_{DD}$ or $V_{SS}$	–	–	1	$\mu$ A
$I_{L2}$	leakage current OSC	$V_I = V_{DD}$	–	–	1	$\mu$ A
$I_{pd}$	A0, A1, A2 and OSC pull-down current	$V_I = 1$ V; $V_{DD} = 5$ V	20	50	150	$\mu$ A
$R_{SYNC}$	pull-up resistor ( $\overline{SYNC}$ )		20	50	150	k $\Omega$
$V_{POR}$	Power-on reset voltage level	note 3	–	1.0	1.6	V
$C_I$	input capacitance	note 4	–	–	7	pF
<b>LCD outputs</b>						
$V_{BP}$	DC voltage component BP0 to BP3	$C_{BP} = 35$ nF	–	20	–	mV
$V_S$	DC voltage component S0 to S39	$C_S = 5$ nF	–	20	–	mV
$R_{BP}$	output resistance BP0 to BP3	note 5; $V_{LCD} = V_{DD} - 5$ V	–	–	5	k $\Omega$
$R_S$	output resistance S0 to S39	note 5; $V_{LCD} = V_{DD} - 5$ V	–	–	7.5	k $\Omega$

### Notes

- $V_{LCD} \leq V_{DD} - 3$  V for  $\frac{1}{3}$  bias.
- LCD outputs are open-circuit; inputs at  $V_{SS}$  or  $V_{DD}$ ; external clock with 50% duty factor; I<sup>2</sup>C-bus inactive.
- Resets all logic when  $V_{DD} < V_{POR}$ .
- Periodically sampled, not 100% tested.
- Outputs measured one at a time.

# Universal LCD driver for low multiplex rates

PCF8576

## 11 AC CHARACTERISTICS

$V_{DD} = 2$  to  $9$  V;  $V_{SS} = 0$  V;  $V_{LCD} = V_{DD} - 2$  V to  $V_{DD} - 9$  V;  $T_{amb} = -40$  to  $+85$  °C; unless otherwise specified.

SYMBOL	PARAMETER	CONDITIONS	MIN.	TYP.	MAX.	UNIT
$f_{clk}$	oscillator frequency on pin CLK normal mode	$V_{DD} = 5$ V; note 1	125	200	288	kHz
	power-saving mode	$V_{DD} = 3.5$ V	21	31	48	kHz
$t_{clkH}$	CLK HIGH time	see Fig.21	1	–	–	$\mu$ s
$t_{clkL}$	CLK LOW time		1	–	–	$\mu$ s
$t_{p\overline{SYNC}}$	$\overline{SYNC}$ propagation delay time		–	–	400	ns
$t_{\overline{SYNC}L}$	$\overline{SYNC}$ LOW time		1	–	–	$\mu$ s
$t_{PLCD}$	driver delays with test loads	$V_{LCD} = V_{DD} - 5$ V; see Fig.20	–	–	30	$\mu$ s

### Timing characteristics: I<sup>2</sup>C-bus; note 2; see Fig.22

$t_{SW}$	tolerable spike width on bus		–	–	100	ns
$t_{BUF}$	bus free time		4.7	–	–	$\mu$ s
$t_{HD;STA}$	START condition hold time		4.0	–	–	$\mu$ s
$t_{SU;STA}$	set-up time for a repeated START condition		4.7	–	–	$\mu$ s
$t_{LOW}$	SCL LOW time		4.7	–	–	$\mu$ s
$t_{HIGH}$	SCL HIGH time		4.0	–	–	$\mu$ s
$t_r$	SCL and SDA rise time		–	–	1	$\mu$ s
$t_f$	SCL and SDA fall time		–	–	0.3	$\mu$ s
$C_B$	capacitive bus line load		–	–	400	pF
$t_{SU;DAT}$	data set-up time		250	–	–	ns
$t_{HD;DAT}$	data hold time		0	–	–	ns
$t_{SU;STO}$	set-up time for STOP condition		4.0	–	–	$\mu$ s

### Notes

- At  $f_{clk} < 125$  kHz, I<sup>2</sup>C-bus maximum transmission speed is derated.
- All timing values are valid within the operating supply voltage and ambient temperature range and are referenced to  $V_{IL}$  and  $V_{IH}$  with an input voltage swing of  $V_{SS}$  to  $V_{DD}$ .

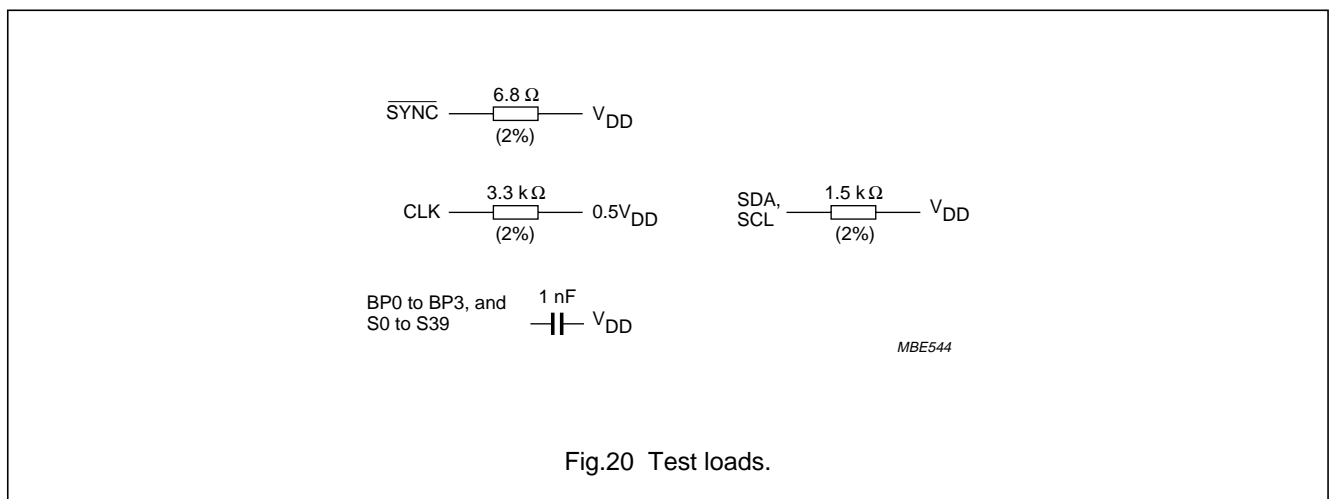


Fig.20 Test loads.

Universal LCD driver for low multiplex rates

PCF8576

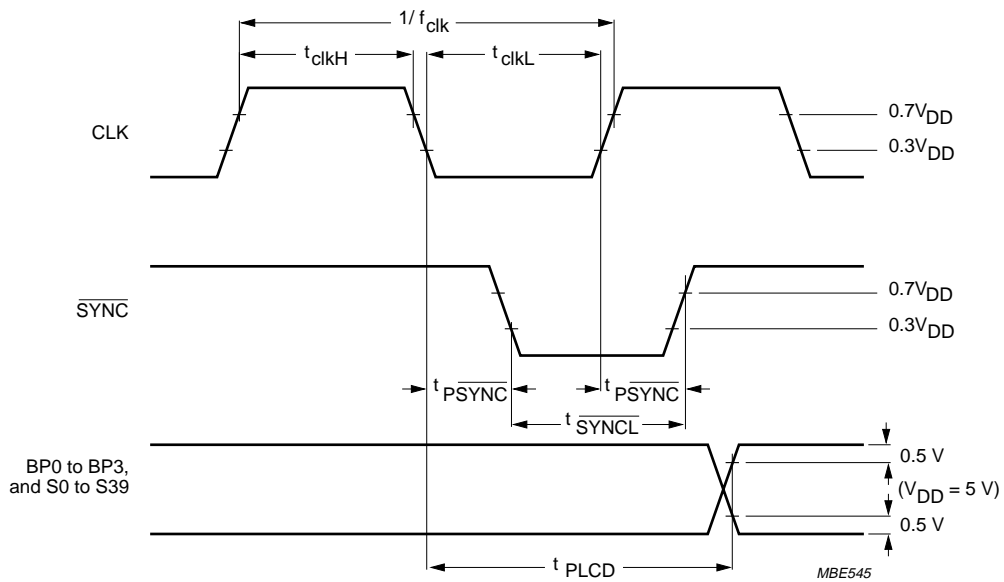


Fig.21 Driver timing waveforms.

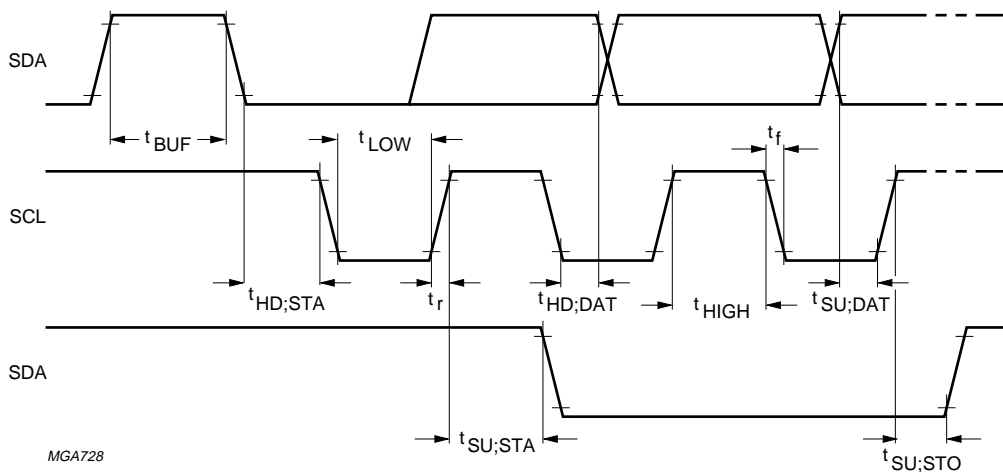
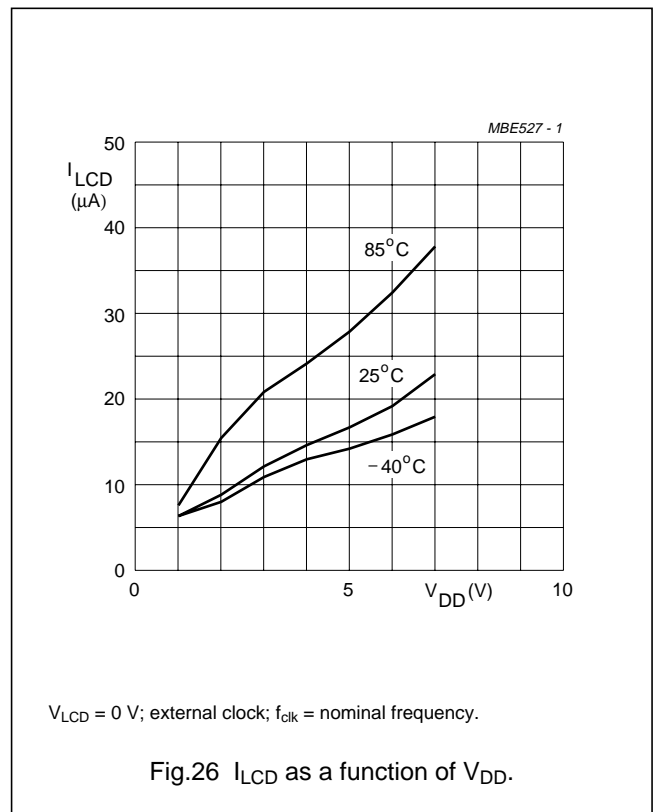
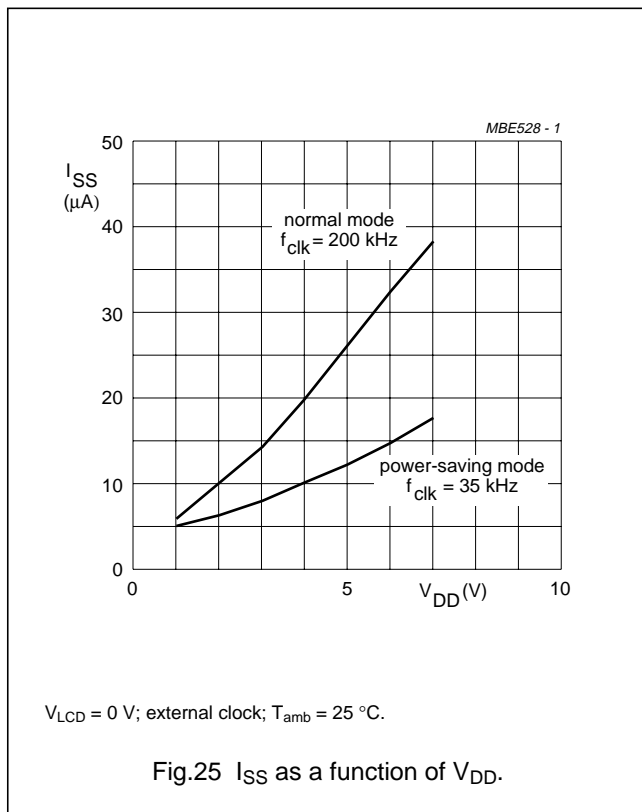
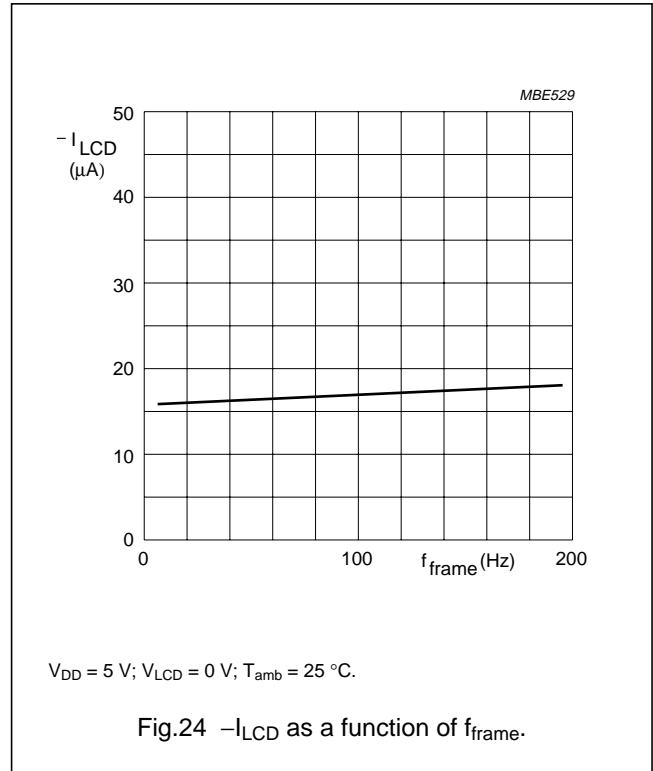
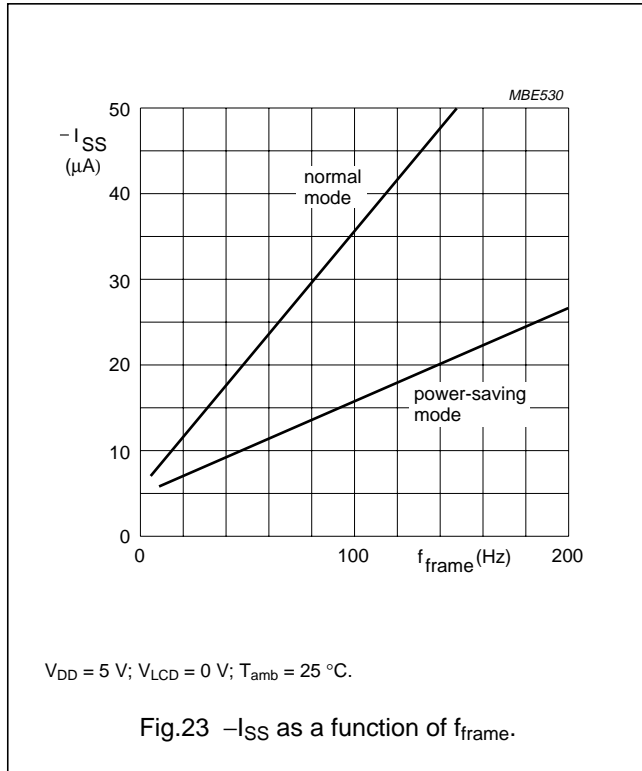


Fig.22 I<sup>2</sup>C-bus timing waveforms.

# Universal LCD driver for low multiplex rates

PCF8576

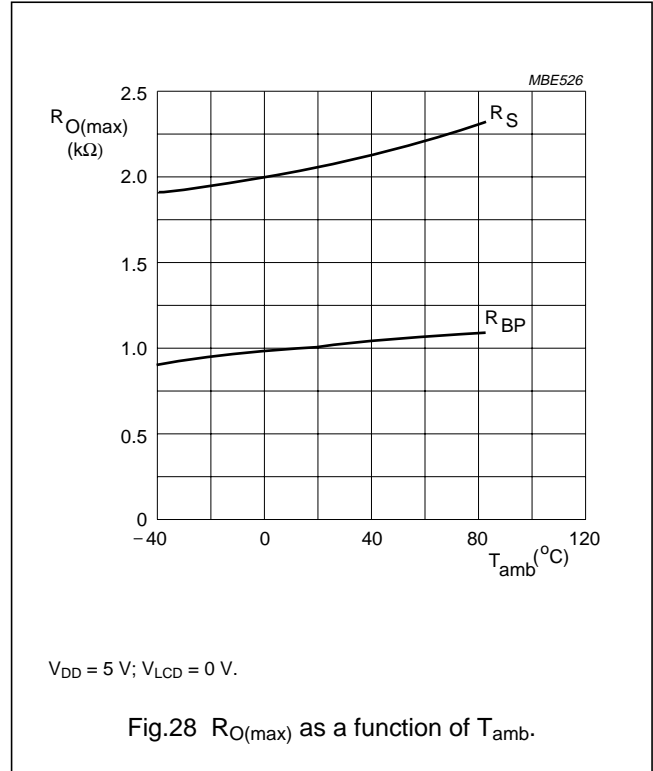
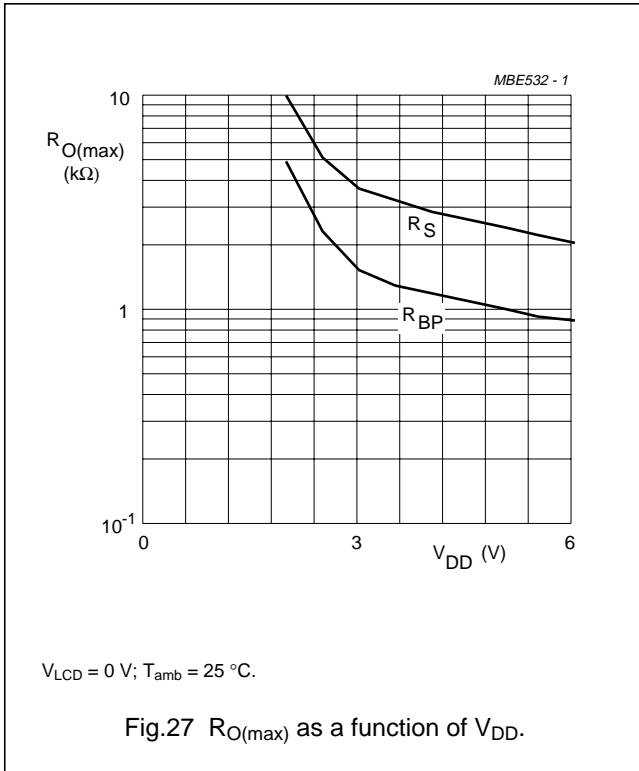
## 11.1 Typical supply current characteristics



# Universal LCD driver for low multiplex rates

PCF8576

## 11.2 Typical characteristics of LCD outputs







# Universal LCD driver for low multiplex rates

PCF8576

## 12.1 Chip-on-glass cascability in single plane

In chip-on-glass technology, where driver devices are bonded directly onto glass of the LCD, it is important that the devices may be cascaded without the crossing of conductors, but the paths of conductors can be continued on the glass under the chip. All of this is facilitated by the PCF8576 bonding pad layout (see Fig.30). Pads needing bus interconnection between all PCF8576s of the cascade are  $V_{DD}$ ,  $V_{SS}$ ,  $V_{LCD}$ , CLK, SCL, SDA and  $\overline{SYNC}$ . These lines may be led to the corresponding pads of the next PCF8576 through the wide opening between  $V_{LCD}$  pad

and the backplane output pads. The only bus line that does not require a second opening to lead through to the next PCF8576 is  $V_{LCD}$ , being the cascade centre. The placing of  $V_{LCD}$  adjacent to  $V_{SS}$  allows the two supplies to be connected together.

When an external clocking source is to be used, OSC of all devices should be connected to  $V_{DD}$ .

The pads OSC, A0, A1, A2 and SA0 have been placed between  $V_{SS}$  and  $V_{DD}$  to facilitate wiring of oscillator, hardware subaddress and slave address.

## 13 BONDING PAD LOCATIONS

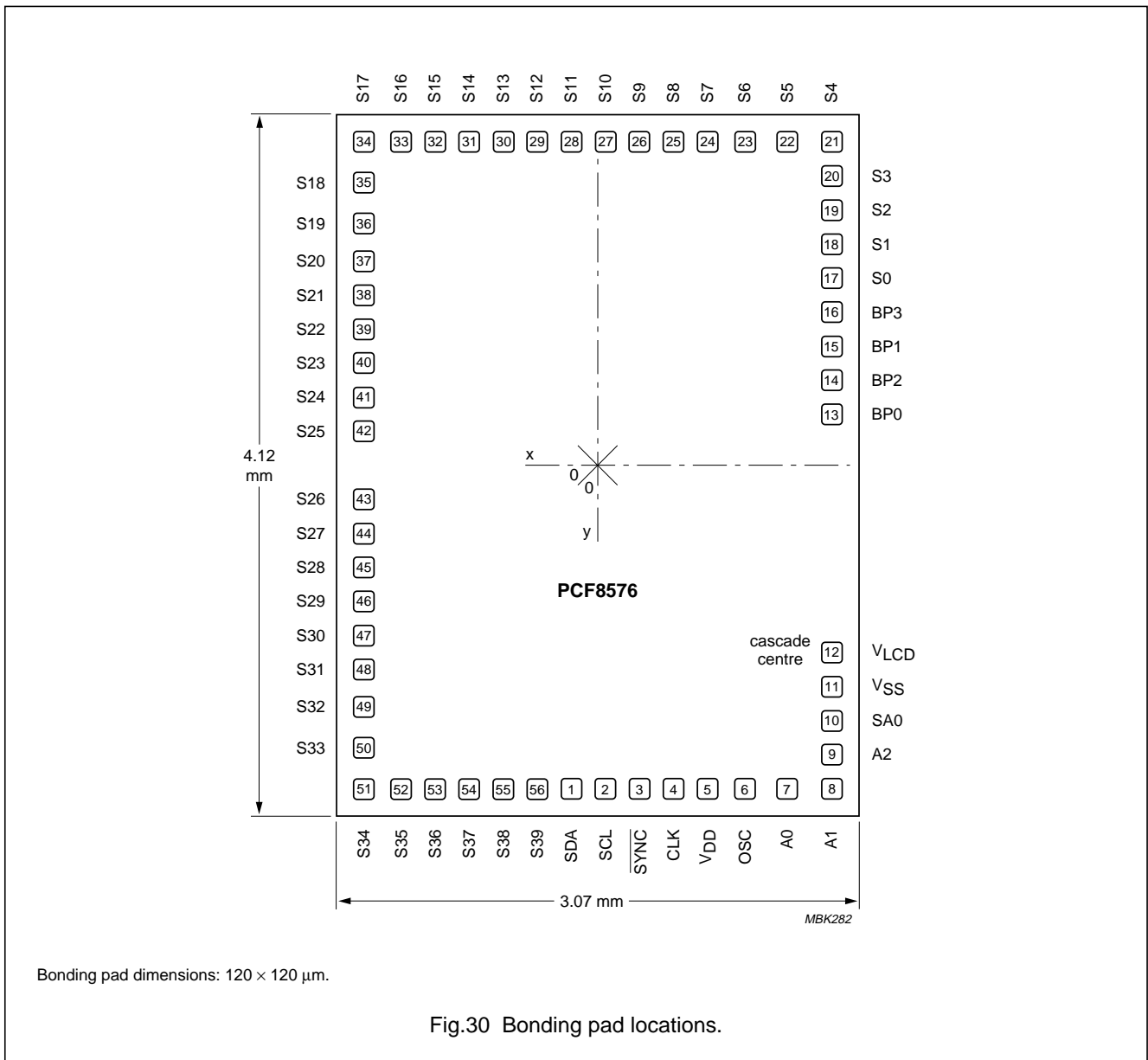


Fig.30 Bonding pad locations.

## Universal LCD driver for low multiplex rates

PCF8576

**Table 16** Bonding pad locations (dimensions in  $\mu\text{m}$ )

All x/y coordinates are referenced to centre of chip  
(see Fig.30).

SYMBOL	PAD	x	y
SDA	1	-155	-1900
SCL	2	45	-1900
$\overline{\text{SYNC}}$	3	245	-1900
CLK	4	445	-1900
V <sub>DD</sub>	5	645	-1900
OSC	6	865	-1900
A0	7	1105	-1900
A1	8	1375	-1900
A2	9	1375	-1700
SA0	10	1375	-1500
V <sub>SS</sub>	11	1375	-1300
V <sub>LCD</sub>	12	1375	-1100
BP0	13	1375	300
BP2	14	1375	500
BP1	15	1375	700
BP3	16	1375	900
S0	17	1375	1100
S1	18	1375	1300
S2	19	1375	1500
S3	20	1375	1700
S4	21	1375	1900
S5	22	1105	1900
S6	23	865	1900
S7	24	645	1900
S8	25	445	1900
S9	26	245	1900
S10	27	45	1900
S11	28	-155	1900

SYMBOL	PAD	x	y
S12	29	-355	1900
S13	30	-555	1900
S14	31	-755	1900
S15	32	-955	1900
S16	33	-1155	1900
S17	34	-1375	1900
S18	35	-1375	1660
S19	36	-1375	1420
S20	37	-1375	1200
S21	38	-1375	1000
S22	39	-1375	800
S23	40	-1375	600
S24	41	-1375	400
S25	42	-1375	200
S26	43	-1375	-200
S27	44	-1375	-400
S28	45	-1375	-600
S29	46	-1375	-800
S30	47	-1375	-1000
S31	48	-1375	-1200
S32	49	-1375	-1420
S33	50	-1375	-1660
S34	51	-1375	-1900
S35	52	-1155	-1900
S36	53	-955	-1900
S37	54	-755	-1900
S38	55	-555	-1900
S39	56	-355	-900

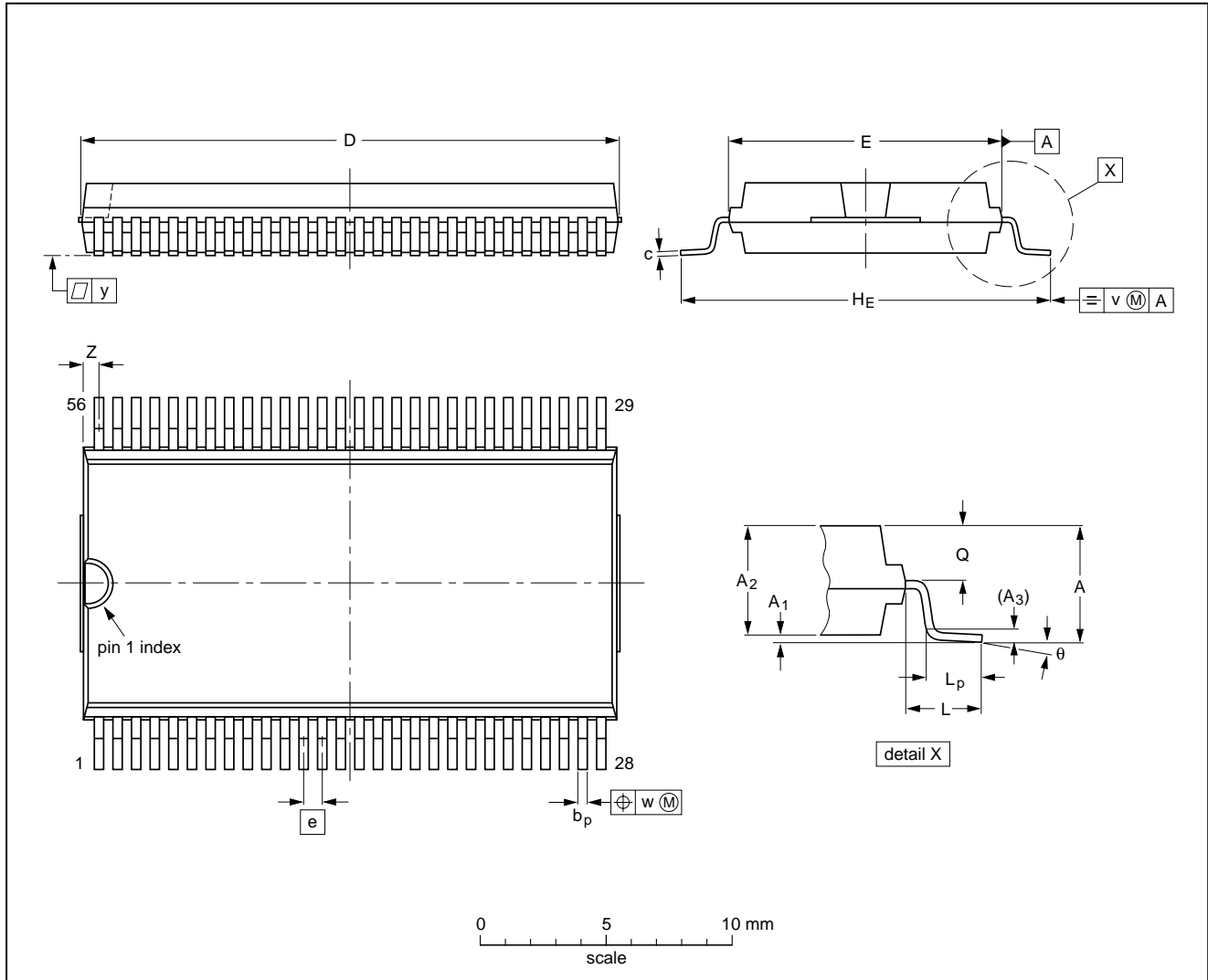
# Universal LCD driver for low multiplex rates

PCF8576

## 14 PACKAGE OUTLINE

VSO56: plastic very small outline package; 56 leads

SOT190-1



**DIMENSIONS (inch dimensions are derived from the original mm dimensions)**

UNIT	A max.	A <sub>1</sub>	A <sub>2</sub>	A <sub>3</sub>	b <sub>p</sub>	c	D <sup>(1)</sup>	E <sup>(2)</sup>	e	H <sub>E</sub>	L	L <sub>p</sub>	Q	v	w	y	z <sup>(1)</sup>	θ
mm	3.3	0.3 0.1	3.0 2.8	0.25	0.42 0.30	0.22 0.14	21.65 21.35	11.1 11.0	0.75	15.8 15.2	2.25	1.6 1.4	1.45 1.30	0.2	0.1	0.1	0.90 0.55	7° 0°
inches	0.13	0.012 0.004	0.12 0.11	0.01	0.017 0.012	0.0087 0.0055	0.85 0.84	0.44 0.43	0.0295	0.62 0.60	0.089	0.063 0.055	0.057 0.051	0.008	0.004	0.004	0.035 0.022	

**Note**

1. Plastic or metal protrusions of 0.3 mm maximum per side are not included.
2. Plastic interlead protrusions of 0.25 mm maximum per side are not included.

OUTLINE VERSION	REFERENCES			EUROPEAN PROJECTION	ISSUE DATE
	IEC	JEDEC	EIAJ		
SOT190-1					96-04-02 97-08-11

## Universal LCD driver for low multiplex rates

PCF8576

### 15 SOLDERING

#### 15.1 Introduction

There is no soldering method that is ideal for all IC packages. Wave soldering is often preferred when through-hole and surface mounted components are mixed on one printed-circuit board. However, wave soldering is not always suitable for surface mounted ICs, or for printed-circuits with high population densities. In these situations reflow soldering is often used.

This text gives a very brief insight to a complex technology. A more in-depth account of soldering ICs can be found in our "*IC Package Databook*" (order code 9398 652 90011).

#### 15.2 Reflow soldering

Reflow soldering techniques are suitable for all VSO packages.

Reflow soldering requires solder paste (a suspension of fine solder particles, flux and binding agent) to be applied to the printed-circuit board by screen printing, stencilling or pressure-syringe dispensing before package placement.

Several techniques exist for reflowing; for example, thermal conduction by heated belt. Dwell times vary between 50 and 300 seconds depending on heating method. Typical reflow temperatures range from 215 to 250 °C.

Preheating is necessary to dry the paste and evaporate the binding agent. Preheating duration: 45 minutes at 45 °C.

#### 15.3 Wave soldering

Wave soldering techniques can be used for all VSO packages if the following conditions are observed:

- A double-wave (a turbulent wave with high upward pressure followed by a smooth laminar wave) soldering technique should be used.
- The longitudinal axis of the package footprint must be parallel to the solder flow.
- The package footprint must incorporate solder thieves at the downstream end.

During placement and before soldering, the package must be fixed with a droplet of adhesive. The adhesive can be applied by screen printing, pin transfer or syringe dispensing. The package can be soldered after the adhesive is cured.

Maximum permissible solder temperature is 260 °C, and maximum duration of package immersion in solder is 10 seconds, if cooled to less than 150 °C within 6 seconds. Typical dwell time is 4 seconds at 250 °C.

A mildly-activated flux will eliminate the need for removal of corrosive residues in most applications.

#### 15.4 Repairing soldered joints

Fix the component by first soldering two diagonally-opposite end leads. Use only a low voltage soldering iron (less than 24 V) applied to the flat part of the lead. Contact time must be limited to 10 seconds at up to 300 °C. When using a dedicated tool, all other leads can be soldered in one operation within 2 to 5 seconds between 270 and 320 °C.

# Universal LCD driver for low multiplex rates

PCF8576

## 16 DEFINITIONS

<b>Data sheet status</b>	
Objective specification	This data sheet contains target or goal specifications for product development.
Preliminary specification	This data sheet contains preliminary data; supplementary data may be published later.
Product specification	This data sheet contains final product specifications.
<b>Limiting values</b>	
Limiting values given are in accordance with the Absolute Maximum Rating System (IEC 134). Stress above one or more of the limiting values may cause permanent damage to the device. These are stress ratings only and operation of the device at these or at any other conditions above those given in the Characteristics sections of the specification is not implied. Exposure to limiting values for extended periods may affect device reliability.	
<b>Application information</b>	
Where application information is given, it is advisory and does not form part of the specification.	

## 17 LIFE SUPPORT APPLICATIONS

These products are not designed for use in life support appliances, devices, or systems where malfunction of these products can reasonably be expected to result in personal injury. Philips customers using or selling these products for use in such applications do so at their own risk and agree to fully indemnify Philips for any damages resulting from such improper use or sale.

## 18 PURCHASE OF PHILIPS I<sup>2</sup>C COMPONENTS



Purchase of Philips I<sup>2</sup>C components conveys a license under the Philips' I<sup>2</sup>C patent to use the components in the I<sup>2</sup>C system provided the system conforms to the I<sup>2</sup>C specification defined by Philips. This specification can be ordered using the code 9398 393 40011.

---

Universal LCD driver for low multiplex  
rates

---

PCF8576

NOTES

# Philips Semiconductors – a worldwide company

**Argentina:** see South America

**Australia:** 34 Waterloo Road, NORTH RYDE, NSW 2113,  
Tel. +61 2 9805 4455, Fax. +61 2 9805 4466

**Austria:** Computerstr. 6, A-1101 WIEN, P.O. Box 213, Tel. +43 160 1010,  
Fax. +43 160 101 1210

**Belarus:** Hotel Minsk Business Center, Bld. 3, r. 1211, Volodarski Str. 6,  
220050 MINSK, Tel. +375 172 200 733, Fax. +375 172 200 773

**Belgium:** see The Netherlands

**Brazil:** see South America

**Bulgaria:** Philips Bulgaria Ltd., Energoproject, 15th floor,  
51 James Bourchier Blvd., 1407 SOFIA,  
Tel. +359 2 689 211, Fax. +359 2 689 102

**Canada:** PHILIPS SEMICONDUCTORS/COMPONENTS,  
Tel. +1 800 234 7381

**China/Hong Kong:** 501 Hong Kong Industrial Technology Centre,  
72 Tat Chee Avenue, Kowloon Tong, HONG KONG,  
Tel. +852 2319 7888, Fax. +852 2319 7700

**Colombia:** see South America

**Czech Republic:** see Austria

**Denmark:** Prags Boulevard 80, PB 1919, DK-2300 COPENHAGEN S,  
Tel. +45 32 88 2636, Fax. +45 31 57 0044

**Finland:** Sinikalliontie 3, FIN-02630 ESPOO,  
Tel. +358 9 615800, Fax. +358 9 61580920

**France:** 51 Rue Carnot, BP317, 92156 SURESNES Cedex,  
Tel. +33 1 40 99 6161, Fax. +33 1 40 99 6427

**Germany:** Hammerbrookstraße 69, D-20097 HAMBURG,  
Tel. +49 40 23 53 60, Fax. +49 40 23 536 300

**Greece:** No. 15, 25th March Street, GR 17778 TAVROS/ATHENS,  
Tel. +30 1 4894 339/239, Fax. +30 1 4814 240

**Hungary:** see Austria

**India:** Philips INDIA Ltd, Band Box Building, 2nd floor,  
254-D, Dr. Annie Besant Road, Worli, MUMBAI 400 025,  
Tel. +91 22 493 8541, Fax. +91 22 493 0966

**Indonesia:** see Singapore

**Ireland:** Newstead, Clonskeagh, DUBLIN 14,  
Tel. +353 1 7640 000, Fax. +353 1 7640 200

**Israel:** RAPAC Electronics, 7 Kehilat Saloniki St, PO Box 18053,  
TEL AVIV 61180, Tel. +972 3 645 0444, Fax. +972 3 649 1007

**Italy:** PHILIPS SEMICONDUCTORS, Piazza IV Novembre 3,  
20124 MILANO, Tel. +39 2 6752 2531, Fax. +39 2 6752 2557

**Japan:** Philips Bldg 13-37, Kohnan 2-chome, Minato-ku, TOKYO 108,  
Tel. +81 3 3740 5130, Fax. +81 3 3740 5077

**Korea:** Philips House, 260-199 Itaewon-dong, Yongsan-ku, SEOUL,  
Tel. +82 2 709 1412, Fax. +82 2 709 1415

**Malaysia:** No. 76 Jalan Universiti, 46200 PETALING JAYA, SELANGOR,  
Tel. +60 3 750 5214, Fax. +60 3 757 4880

**Mexico:** 5900 Gateway East, Suite 200, EL PASO, TEXAS 79905,  
Tel. +9-5 800 234 7381

**Middle East:** see Italy

**Netherlands:** Postbus 90050, 5600 PB EINDHOVEN, Bldg. VB,  
Tel. +31 40 27 82785, Fax. +31 40 27 88399

**New Zealand:** 2 Wagener Place, C.P.O. Box 1041, AUCKLAND,  
Tel. +64 9 849 4160, Fax. +64 9 849 7811

**Norway:** Box 1, Manglerud 0612, OSLO,  
Tel. +47 22 74 8000, Fax. +47 22 74 8341

**Philippines:** Philips Semiconductors Philippines Inc.,  
106 Valero St. Salcedo Village, P.O. Box 2108 MCC, MAKATI,  
Metro MANILA, Tel. +63 2 816 6380, Fax. +63 2 817 3474

**Poland:** Ul. Lukiska 10, PL 04-123 WARSZAWA,  
Tel. +48 22 612 2831, Fax. +48 22 612 2327

**Portugal:** see Spain

**Romania:** see Italy

**Russia:** Philips Russia, Ul. Usatcheva 35A, 119048 MOSCOW,  
Tel. +7 095 755 6918, Fax. +7 095 755 6919

**Singapore:** Lorong 1, Toa Payoh, SINGAPORE 1231,  
Tel. +65 350 2538, Fax. +65 251 6500

**Slovakia:** see Austria

**Slovenia:** see Italy

**South Africa:** S.A. PHILIPS Pty Ltd., 195-215 Main Road Martindale,  
2092 JOHANNESBURG, P.O. Box 7430 Johannesburg 2000,  
Tel. +27 11 470 5911, Fax. +27 11 470 5494

**South America:** Al. Vicente Pinzon, 173, 6th floor,  
04547-130 SÃO PAULO, SP, Brazil,  
Tel. +55 11 821 2333, Fax. +55 11 821 2382

**Spain:** Balmes 22, 08007 BARCELONA,  
Tel. +34 3 301 6312, Fax. +34 3 301 4107

**Sweden:** Kottbygatan 7, Akalla, S-16485 STOCKHOLM,  
Tel. +46 8 632 2000, Fax. +46 8 632 2745

**Switzerland:** Allmendstrasse 140, CH-8027 ZÜRICH,  
Tel. +41 1 488 2686, Fax. +41 1 481 7730

**Taiwan:** Philips Semiconductors, 6F, No. 96, Chien Kuo N. Rd., Sec. 1,  
TAIPEI, Taiwan Tel. +886 2 2134 2865, Fax. +886 2 2134 2874

**Thailand:** PHILIPS ELECTRONICS (THAILAND) Ltd.,  
209/2 Sanpavuth-Bangna Road Prakanong, BANGKOK 10260,  
Tel. +66 2 745 4090, Fax. +66 2 398 0793

**Turkey:** Talatpasa Cad. No. 5, 80640 GÜLTEPE/ISTANBUL,  
Tel. +90 212 279 2770, Fax. +90 212 282 6707

**Ukraine:** PHILIPS UKRAINE, 4 Patrice Lumumba str., Building B, Floor 7,  
252042 KIEV, Tel. +380 44 264 2776, Fax. +380 44 268 0461

**United Kingdom:** Philips Semiconductors Ltd., 276 Bath Road, Hayes,  
MIDDLESEX UB3 5BX, Tel. +44 181 730 5000, Fax. +44 181 754 8421

**United States:** 811 East Arques Avenue, SUNNYVALE, CA 94088-3409,  
Tel. +1 800 234 7381

**Uruguay:** see South America

**Vietnam:** see Singapore

**Yugoslavia:** PHILIPS, Trg N. Pasica 5/v, 11000 BEOGRAD,  
Tel. +381 11 625 344, Fax. +381 11 635 777

**For all other countries apply to:** Philips Semiconductors,  
International Marketing & Sales Communications, Building BE-p,  
P.O. Box 218, 5600 MD EINDHOVEN, The Netherlands, Fax. +31 40 27 24825

**Internet:** <http://www.semiconductors.philips.com>

© Philips Electronics N.V. 1997

SCA56

All rights are reserved. Reproduction in whole or in part is prohibited without the prior written consent of the copyright owner.

The information presented in this document does not form part of any quotation or contract, is believed to be accurate and reliable and may be changed without notice. No liability will be accepted by the publisher for any consequence of its use. Publication thereof does not convey nor imply any license under patent- or other industrial or intellectual property rights.

Printed in The Netherlands

415106/1200/03/pp40

Date of release: 1998 Feb 06

Document order number: 9397 750 03252

*Let's make things better.*

**Philips  
Semiconductors**



**PHILIPS**