

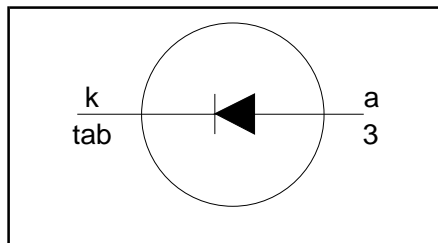
**Rectifier diodes  
Schottky barrier**

**PBYR745B, PBYR745D series**

**FEATURES**

- Low forward volt drop
- Fast switching
- Reverse surge capability
- High thermal cycling performance
- Low thermal resistance

**SYMBOL**



**QUICK REFERENCE DATA**

$V_R = 40\text{ V} / 45\text{ V}$
$I_{F(AV)} = 7.5\text{ A}$
$V_F \leq 0.57\text{ V}$

**GENERAL DESCRIPTION**

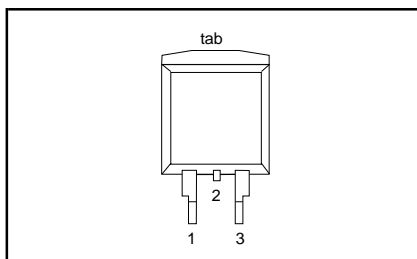
Schottky rectifier diodes in a surface mounting plastic envelope. Intended for use as output rectifiers in low voltage, high frequency switched mode power supplies.

The PBYR745B series is supplied in the SOT404 surface mounting package.  
The PBYR745D series is supplied in the SOT428 surface mounting package.

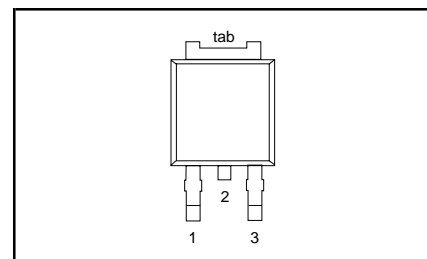
**PINNING**

PIN	DESCRIPTION
1	no connection
2	cathode <sup>1</sup>
3	anode
tab	cathode

**SOT404**



**SOT428**



**LIMITING VALUES**

Limiting values in accordance with the Absolute Maximum System (IEC 134)

SYMBOL	PARAMETER	CONDITIONS	MIN.	MAX.		UNIT
				40B 40D	45B 45D	
$V_{RRM}$	Peak repetitive reverse voltage		-	40	45	V
$V_{RWM}$	Working peak reverse voltage		-	40	45	V
$V_R$	Continuous reverse voltage	$T_{mb} \leq 114\text{ °C}$	-	40	45	V
$I_{F(AV)}$	Average rectified forward current	square wave; $\delta = 0.5$ ; $T_{mb} \leq 136\text{ °C}$	-	7.5		A
$I_{FRM}$	Repetitive peak forward current	square wave; $\delta = 0.5$ ; $T_{mb} \leq 136\text{ °C}$	-	15		A
$I_{FSM}$	Non-repetitive peak forward current	$t = 10\text{ ms}$ PBYR7..B	-	135		A
		$t = 8.3\text{ ms}$	-	150		A
		$t = 10\text{ ms}$ PBYR7..D	-	100		A
		$t = 8.3\text{ ms}$	-	110		A
$I_{RRM}$	Peak repetitive reverse surge current	sinusoidal; $T_j = 125\text{ °C}$ prior to surge; with reapplied $V_{RRM(max)}$ pulse width and repetition rate limited by $T_{jmax}$	-	1		A
$T_j$	Operating junction temperature		-	150		°C
$T_{stg}$	Storage temperature		- 65	175		°C

1. It is not possible to make connection to pin 2 of the SOT404 or SOT428 package.

Rectifier diodes  
Schottky barrier

PBYR745B, PBYR745D series

### THERMAL RESISTANCES

SYMBOL	PARAMETER	CONDITIONS	MIN.	TYP.	MAX.	UNIT
$R_{th\ j-mb}$	Thermal resistance junction to mounting base		-	-	3	K/W
$R_{th\ j-a}$	Thermal resistance junction to ambient	pcb mounted, minimum footprint, FR4 board	-	50	-	K/W

### ELECTRICAL CHARACTERISTICS

$T_j = 25\text{ }^\circ\text{C}$  unless otherwise specified

SYMBOL	PARAMETER	CONDITIONS	MIN.	TYP.	MAX.	UNIT
$V_F$	Forward voltage	$I_F = 7.5\text{ A}; T_j = 125\text{ }^\circ\text{C}$ $I_F = 15\text{ A}; T_j = 125\text{ }^\circ\text{C}$	-	0.45	0.57	V
		$I_F = 15\text{ A}$	-	0.65	0.72	V
$I_R$	Reverse current	$V_R = V_{RWM}$ $V_R = V_{RWM}; T_j = 100\text{ }^\circ\text{C}$	-	0.64	0.84	V
			-	0.13	1	mA
$C_d$	Junction capacitance	$V_R = 5\text{ V}; f = 1\text{ MHz}; T_j = 25\text{ }^\circ\text{C to } 125\text{ }^\circ\text{C}$	-	17	22	mA
			-	270	-	pF

Rectifier diodes  
Schottky barrier

PBYR745B, PBYR745D series

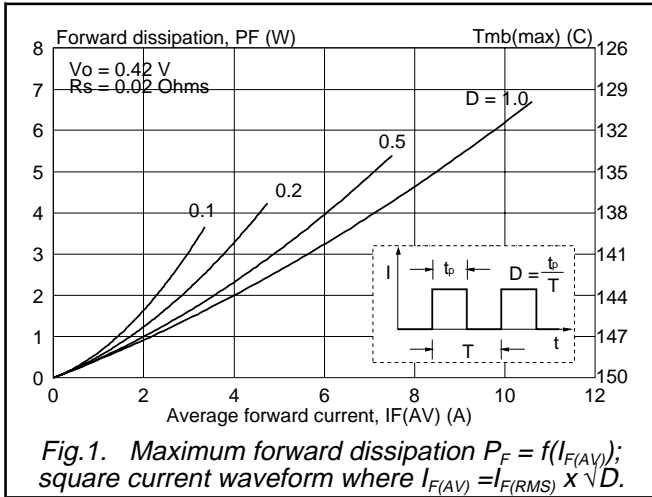


Fig.1. Maximum forward dissipation  $P_F = f(I_{F(AV)})$ ; square current waveform where  $I_{F(AV)} = I_{F(RMS)} \times \sqrt{D}$ .

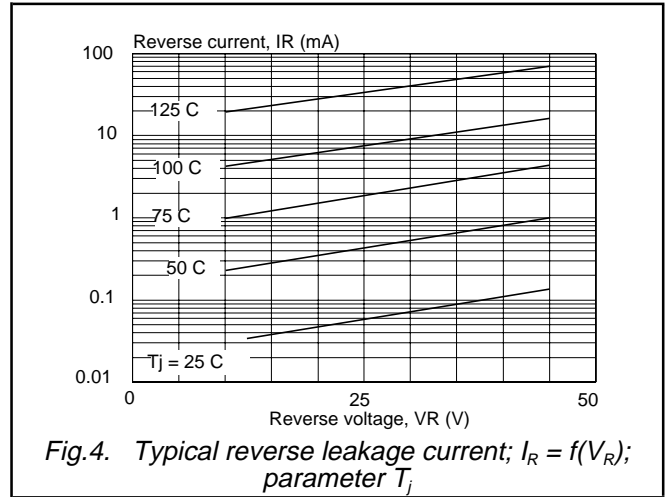


Fig.4. Typical reverse leakage current;  $I_R = f(V_R)$ ; parameter  $T_j$

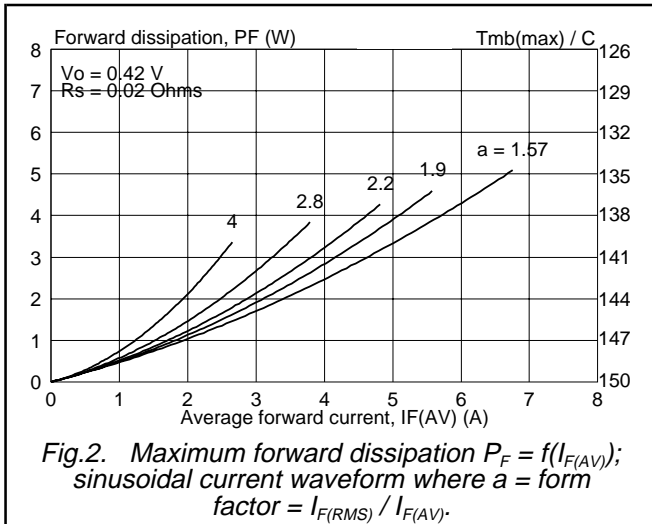


Fig.2. Maximum forward dissipation  $P_F = f(I_{F(AV)})$ ; sinusoidal current waveform where  $a = \text{form factor} = I_{F(RMS)} / I_{F(AV)}$ .

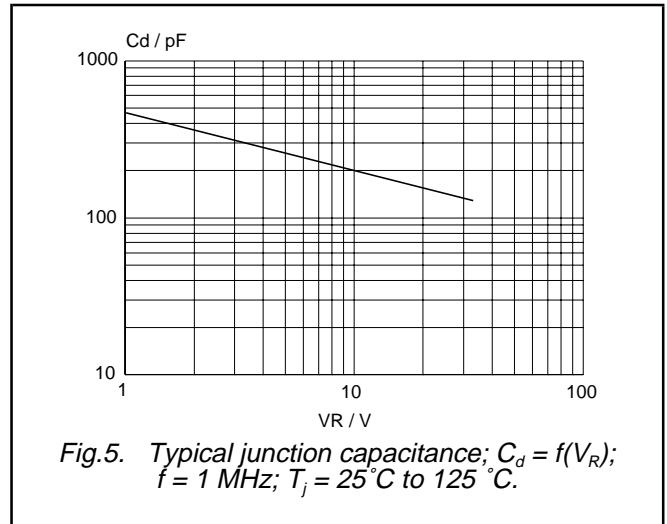


Fig.5. Typical junction capacitance;  $C_d = f(V_R)$ ;  $f = 1\text{ MHz}$ ;  $T_j = 25^\circ\text{C}$  to  $125^\circ\text{C}$ .

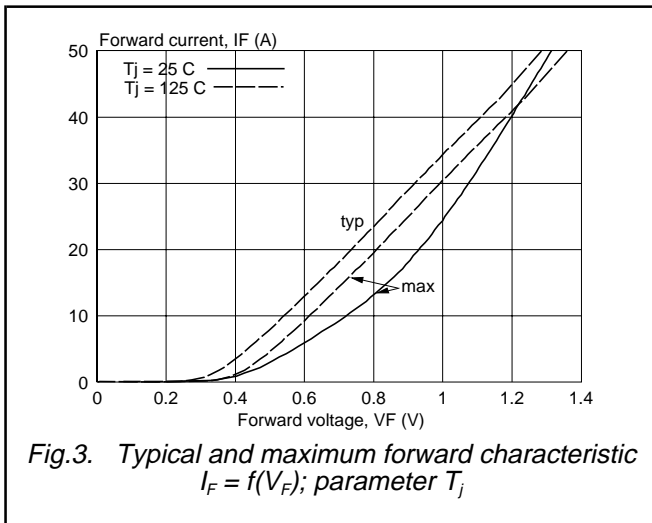


Fig.3. Typical and maximum forward characteristic  $I_F = f(V_F)$ ; parameter  $T_j$

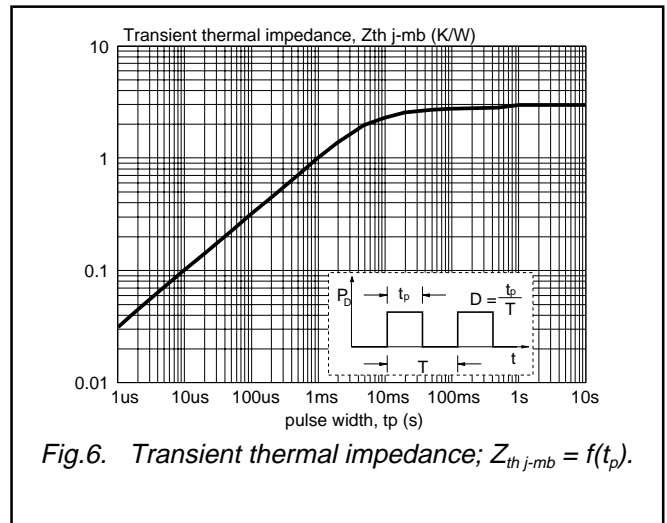
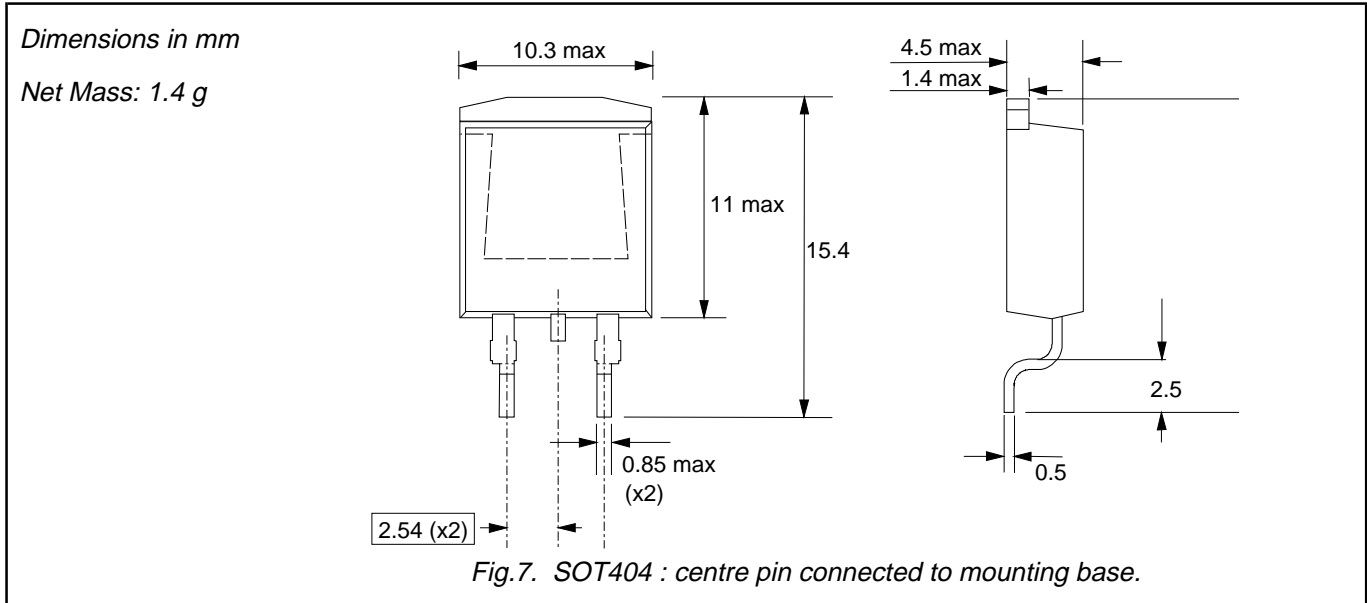


Fig.6. Transient thermal impedance;  $Z_{th\ j-mb} = f(t_p)$ .

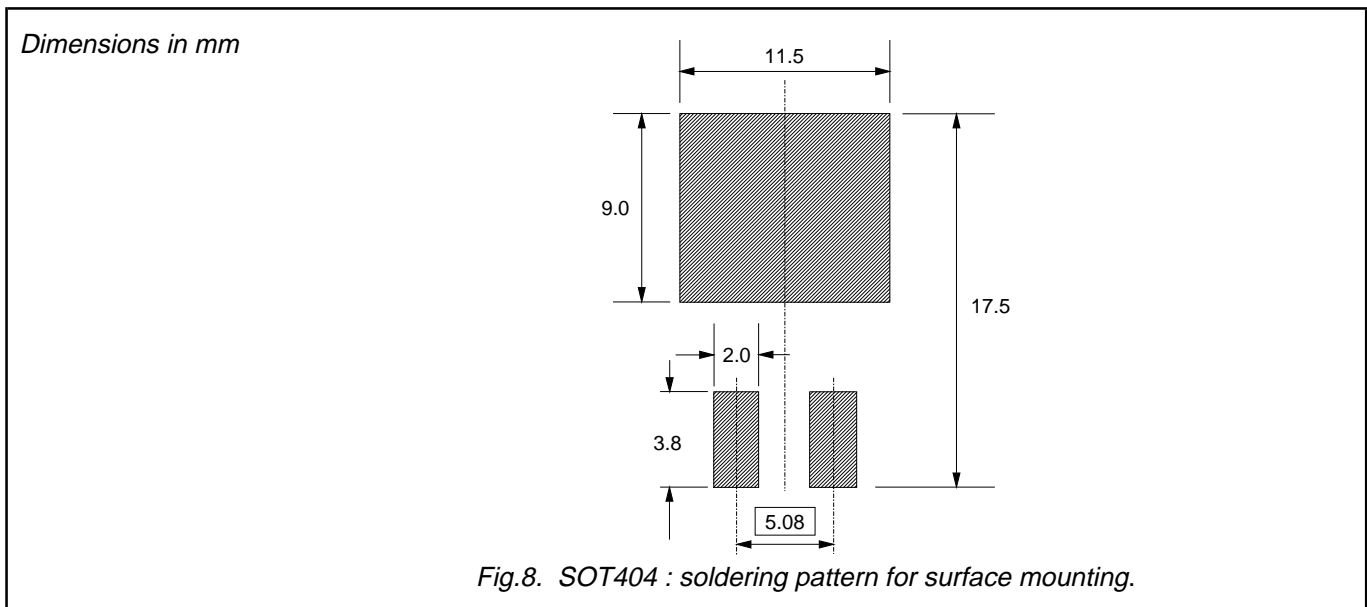
Rectifier diodes  
Schottky barrier

PBYR745B, PBYR745D series

**MECHANICAL DATA**



**MOUNTING INSTRUCTIONS**



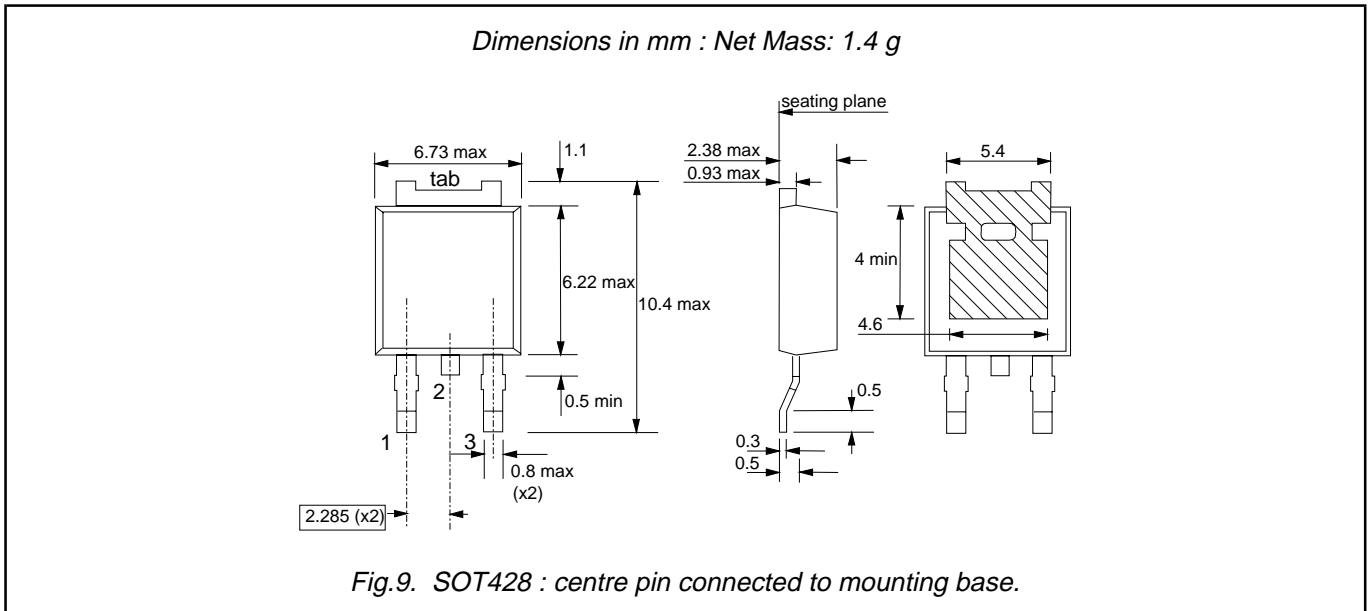
**Notes**

1. Observe the general handling precautions for electrostatic-discharge sensitive devices (ESDs) to prevent damage to MOS gate oxide.
2. Epoxy meets UL94 V0 at 1/8".

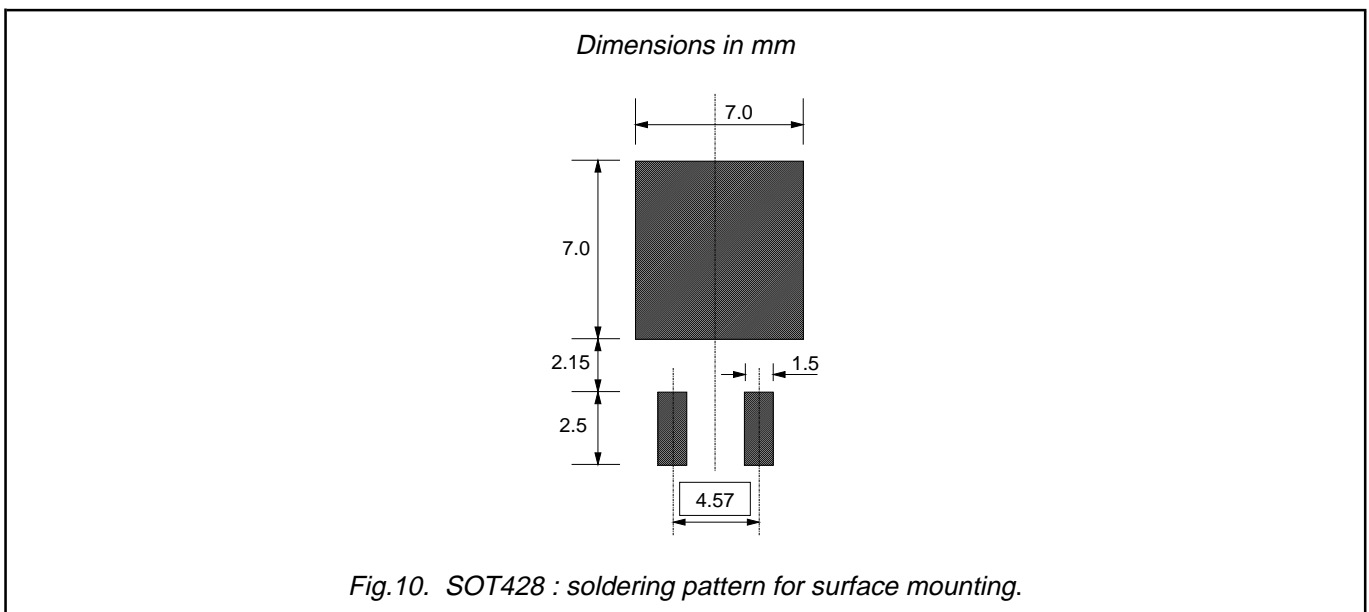
Rectifier diodes  
Schottky barrier

PBYR745B, PBYR745D series

**MECHANICAL DATA**



**MOUNTING INSTRUCTIONS**



**Notes**

1. Observe the general handling precautions for electrostatic-discharge sensitive devices (ESDs) to prevent damage to MOS gate oxide.
2. Epoxy meets UL94 V0 at 1/8".

Rectifier diodes  
Schottky barrier

PBYR745B, PBYR745D series

## DEFINITIONS

<b>Data sheet status</b>	
Objective specification	This data sheet contains target or goal specifications for product development.
Preliminary specification	This data sheet contains preliminary data; supplementary data may be published later.
Product specification	This data sheet contains final product specifications.
<b>Limiting values</b>	
Limiting values are given in accordance with the Absolute Maximum Rating System (IEC 134). Stress above one or more of the limiting values may cause permanent damage to the device. These are stress ratings only and operation of the device at these or at any other conditions above those given in the Characteristics sections of this specification is not implied. Exposure to limiting values for extended periods may affect device reliability.	
<b>Application information</b>	
Where application information is given, it is advisory and does not form part of the specification.	
© Philips Electronics N.V. 1998	
All rights are reserved. Reproduction in whole or in part is prohibited without the prior written consent of the copyright owner.	
The information presented in this document does not form part of any quotation or contract, it is believed to be accurate and reliable and may be changed without notice. No liability will be accepted by the publisher for any consequence of its use. Publication thereof does not convey nor imply any license under patent or other industrial or intellectual property rights.	

## LIFE SUPPORT APPLICATIONS

These products are not designed for use in life support appliances, devices or systems where malfunction of these products can be reasonably expected to result in personal injury. Philips customers using or selling these products for use in such applications do so at their own risk and agree to fully indemnify Philips for any damages resulting from such improper use or sale.