

S/UNI-155 SATURN USER NETWORK INTERFACE

FEATURES

- Monolithic SATURN™ SONET/SDH Asynchronous Transfer Mode User Network LAN Interface.
- Implements the ATM transmission convergence (TC) sublayer for Broadband ISDN according to ANSI T1.646, ITU-T Recommendation I.432 and ATM Forum document "ATM User-Network Interface Specification", Version 3.1.
- Operates at 19.44 Mbytes/s, processing a duplex 8-bit or 16-bit data stream and mapping ATM cells into a SONET STS-3c or SDH STM-1 compatible bit serial stream operating at 155 Mbit/s.
- Provides on-chip parallel-to-serial and serial-to-parallel conversion
- Provides a generic 8-bit microprocessor bus interface for configuration, control and status monitoring.
- Provides a standard 5-signal P1149.1 JTAG test port for boundary scan board test purposes.
- Provides 4 cell deep FIFO buffers in both transmit and receive paths and provides interface circuitry for external FIFO expansion.
- Expansion ports provides access to all overhead to allow external processing for full SONET/SDH Network-Node Interface (NNI) compliance.
- Provides a standard 5-signal P1149.1 JTAG test port for boundary scan board test purposes.
- Provides TTL compatible inputs and outputs and a pseudo-ECL compatible serial line side interface.
- Low power, +5 Volt CMOS technology.
- 160 pin plastic quad flat pack (PQFP) package.

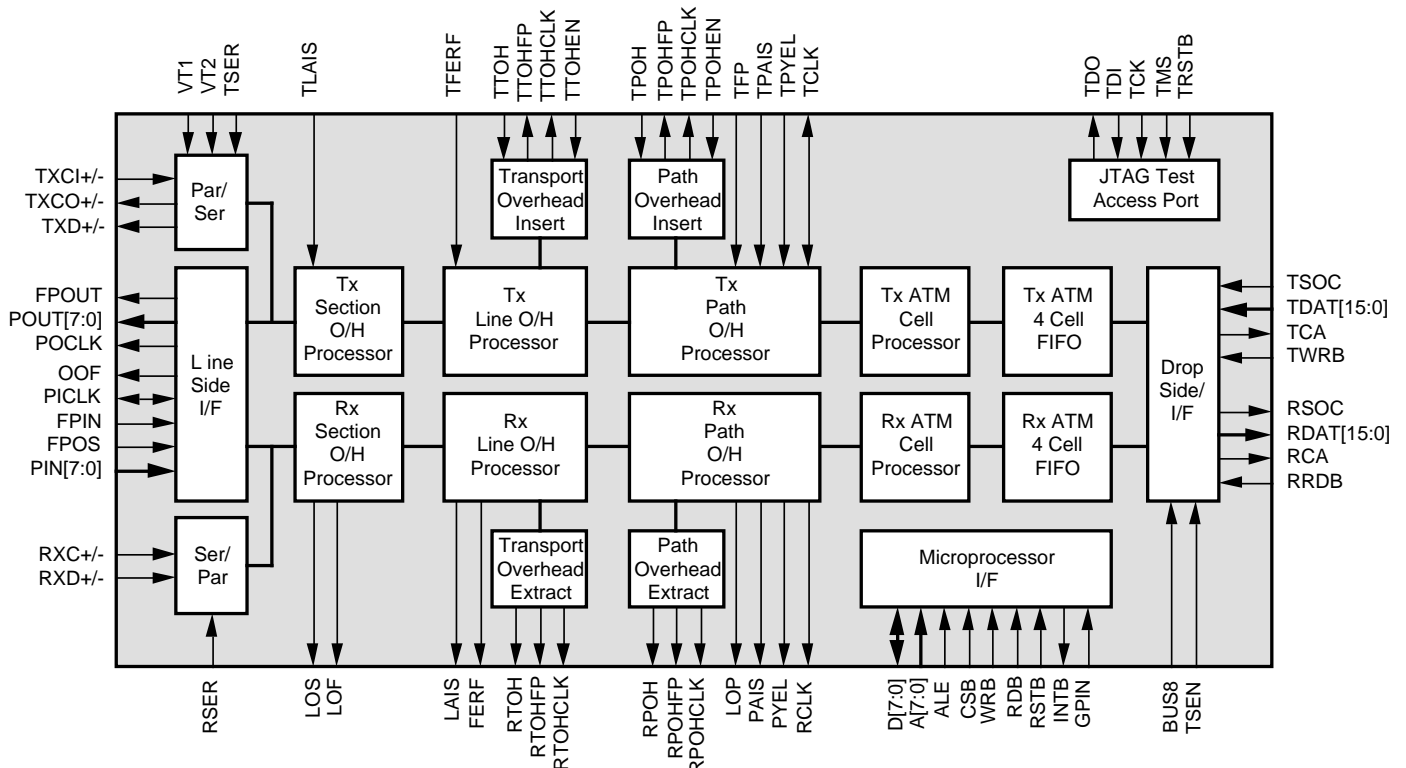
APPLICATIONS

- ATM LAN interfaces for computers, workstations, switches and PCs
- ATM public network switching system interfaces
- B-ISDN User-Network Interfaces
- B-ISDN test equipment interfaces
- Gigabit network interfaces

BLOCK DIAGRAM

Line Side

System Side



S/UNI-155 SATURN USER NETWORK INTERFACE

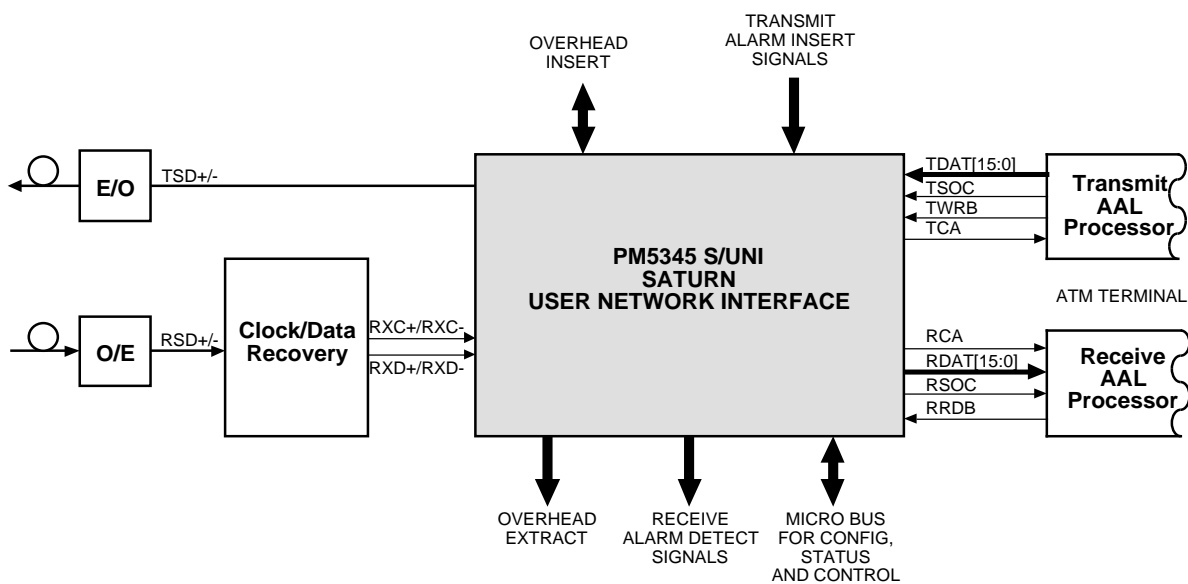
OVERHEAD BYTE USAGE:

A1	A1	A1	A2	A2	A2	C1	C1	C1		
B1									B3	
									C2	
H1	H1	H1	H2	H2	H2	H3	H3	H3	G1	
B2	B2	B2				K2				
									H4	
					Z2					

TRANSPORT OVERHEAD (SOH)

PATH OVERHEAD (POH)

TYPICAL APPLICATION: ATM TERMINAL



Head Office:
PMC-Sierra, Inc.
Suite 105 - 8555 Baxter Place
Burnaby, B.C. V5A 4V7
Canada
Tel: 604.415.6000
Fax: 604.415.6200

To order documentation,
send email to:
document@pmc-sierra.com
or contact the head office,
Attn: Document Coordinator

All product documentation is
available on our web site at:
<http://www.pmc-sierra.com>
For corporate information,
send email to:
info@pmc-sierra.com

S/UNI®, SATURN® and
UNI-PHY™ are trademarks
of PMC-Sierra, Inc. This
product contains patented
ATM cell delineation
technology under license
from Cisco Systems, Inc.

PMC-920524 (R8)
© 1997
PMC-Sierra, Inc.
March, 1997