

**SATURN User Network Interface for J2/E3/T3**

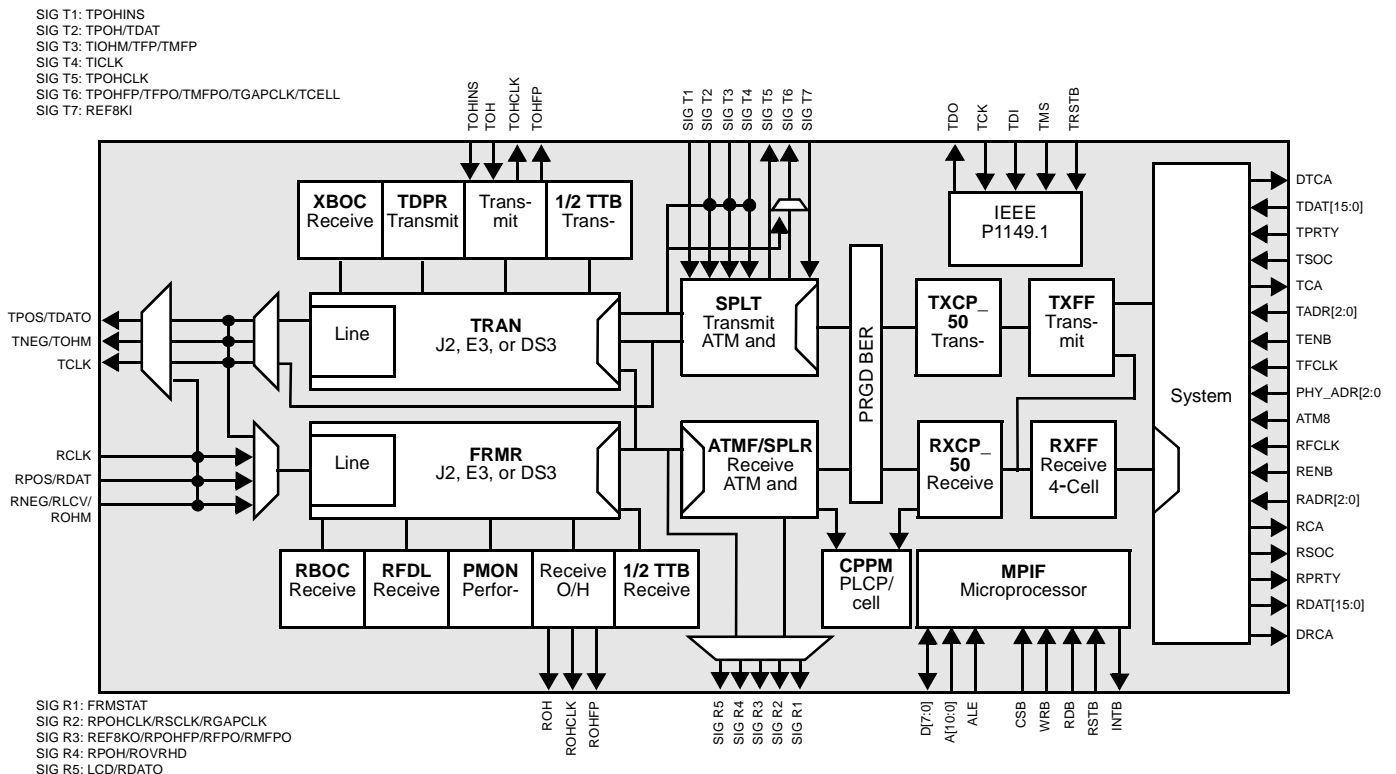
**FEATURES**

- Single-chip ATM User Network Interface (UNI) operating at 44.736 Mbit/s, 34.368 Mbit/s, and 6.312 Mbit/s conforming to ATMF-95-1207R1, ATMF-94-0406R5, and AF-PHY-0029.000.
- Provides on-chip DS3, E3 (G.751 and G.832), and J2 framers. Can be configured for use solely as a framer. When configured in framer mode, gapped transmit and receive clocks can be generated for interfaces that need access only to payload data bits.
- Supports bypass of the internal framers and supports connections to an arbitrary-rate external transmission system interface up to a rate of 52 Mbit/s. This lets the S/UNI-JET be used as an ATM cell delineator.
- Implements ATM direct-cell mapping into T1, DS3, E1, E3, and J2 transmission systems according to ITU-T Recommendation G.804.
- Provides a SCI-PHY and 50 MHz UTOPIA Level 2 compatible 8- or 16-bit ATM-PHY Interface.
- Implements the Physical Layer Convergence Protocol (PLCP) for T1 and DS3 transmission systems according to the ATM Forum UNI Specification and ANSI TA-TSY-000773, TA-TSY-000772, and for E1 and E3 transmission systems according to ETSI 300-269 and ETSI 300-270.
- Implements the ATM physical layer for broadband ISDN according to ITU-T Recommendation I.432.
- Uses the PM4341 T1XC, PM6341 E1XC, PM4351 COMET, and framer/line interface chips for T1 and E1 applications.
- Provides seamless interface to the VORTEX DSLAM chipset, S/UNI®-ATLAS, and S/UNI-RCMP-200.
- Provides programmable pseudo-random test pattern generation, detection, and analysis features.
- Provides integral transmit and receive HDLC controllers with 128-byte FIFO depths.
- Provides performance monitoring counters suitable for accumulation periods up to one second.
- Provides an 8-bit microprocessor interface for configuration, control, and status monitoring.
- Provides a standard 5-signal P1149.1 JTAG test port for boundary scan board-test purposes.
- Low power 3.3 V CMOS technology with 5 V-tolerant inputs.
- Available in a high density 256-pin SBGA package (27 mm by 27 mm).
- Rated for industrial temperature operation.

**APPLICATIONS**

- DSLAM Uplinks
- Enterprise ATM/PPP Uplinks
- ATM or Frame Relay Switches, Multiplexers, and Routers
- DS3/E3/J2 PPP Internet Access Interfaces
- DS3/E3/J2 Frame Relay Interfaces

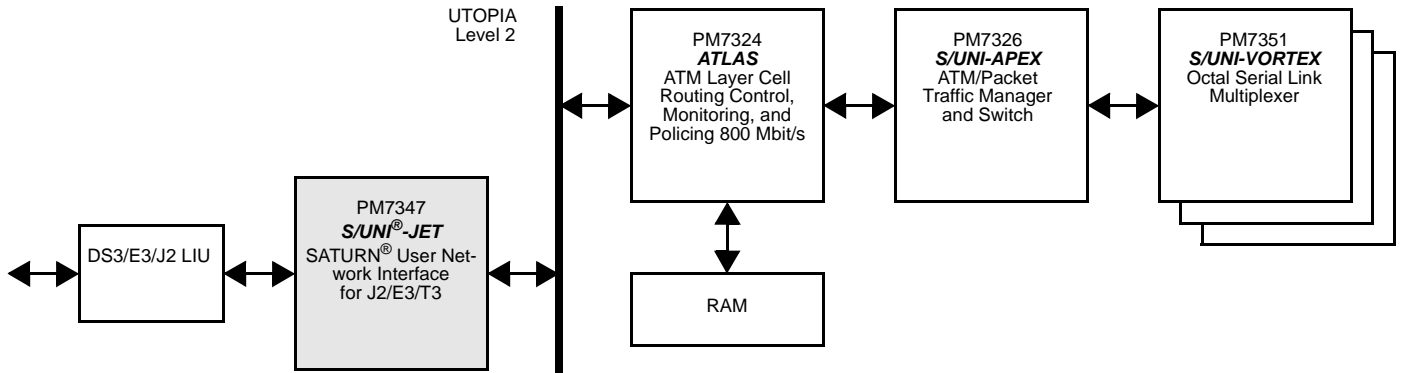
**BLOCK DIAGRAM**



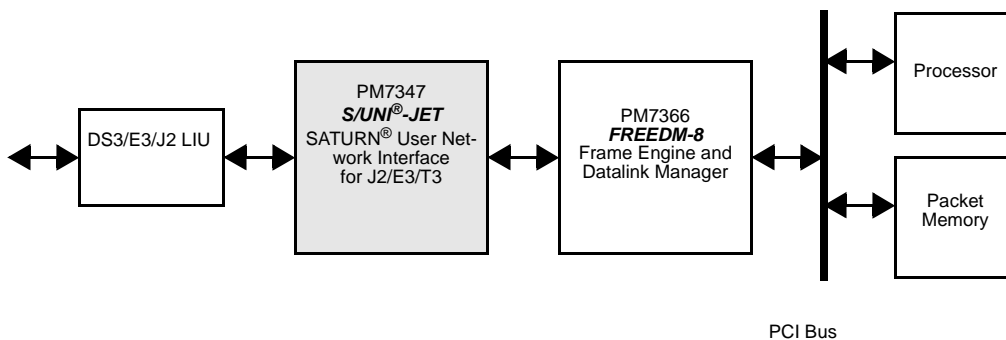
**SATURN User Network Interface for J2/E3/T3**

**TYPICAL APPLICATIONS**

**DS3/E3/J2 DSLAM UPLINK APPLICATION**



**DS3/E3/J2 ROUTER OR FRAME RELAY APPLICATION**



Head Office:  
 PMC-Sierra, Inc.  
 #105 - 8555 Baxter Place  
 Burnaby, B.C. V5A 4V7  
 Canada  
 Tel: 604.415.6000  
 Fax: 604.415.6200

To order documentation,  
 send email to:  
 document@pmc-sierra.com  
 or contact the head office,  
 Attn: Document Coordinator

All product documentation is  
 available on our web site at:  
<http://www.pmc-sierra.com>  
 For corporate information,  
 send email to:  
 info@pmc-sierra.com

PMC-990996 (R2)  
 © 1999 PMC-Sierra, Inc.  
 August, 1999  
 FREEDM-8, SATURN, SCI-PHY,  
 and S/UNI-JET are trademarks of  
 PMC-Sierra, Inc.