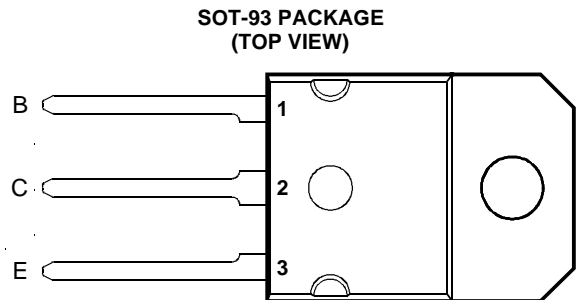


# TIP2955 PNP SILICON POWER TRANSISTOR

Copyright © 1997, Power Innovations Limited, UK

JANUARY 1972 - REVISED MARCH 1997

- **Designed for Complementary Use with the TIP3055 Series**
- **90 W at 25°C Case Temperature**
- **15 A Continuous Collector Current**
- **Customer-Specified Selections Available**



Pin 2 is in electrical contact with the mounting base.

MDTRAA

### absolute maximum ratings at 25°C case temperature (unless otherwise noted)

RATING	SYMBOL	VALUE	UNIT
Collector-base voltage ( $I_E = 0$ )	$V_{CB0}$	-100	V
Collector-emitter voltage ( $I_B = 0$ ) (see Note 1)	$V_{CER}$	-70	V
Emitter-base voltage	$V_{EBO}$	-7	V
Continuous collector current	$I_C$	-15	A
Continuous base current	$I_B$	-7	A
Continuous device dissipation at (or below) 25°C case temperature (see Note 2)	$P_{tot}$	90	W
Continuous device dissipation at (or below) 25°C free air temperature (see Note 3)	$P_{tot}$	3.5	W
Unclamped inductive load energy (see Note 4)	$\frac{1}{2}LI_C^2$	62.5	mJ
Operating junction temperature range	$T_j$	-65 to +150	°C
Storage temperature range	$T_{stg}$	-65 to +150	°C
Lead temperature 3.2 mm from case for 10 seconds	$T_L$	260	°C

- NOTES: 1. This value applies when the base-emitter resistance  $R_{BE} = 100 \Omega$ .  
 2. Derate linearly to 150°C case temperature at the rate of 0.72 W/°C.  
 3. Derate linearly to 150°C free air temperature at the rate of 28 mW/°C.  
 4. This rating is based on the capability of the transistor to operate safely in a circuit of:  $L = 20 \text{ mH}$ ,  $I_{B(on)} = -0.4 \text{ A}$ ,  $R_{BE} = 100 \Omega$ ,  $V_{BE(off)} = 0$ ,  $R_S = 0.1 \Omega$ ,  $V_{CC} = -10 \text{ V}$ .

## PRODUCT INFORMATION

Information is current as of publication date. Products conform to specifications in accordance with the terms of Power Innovations standard warranty. Production processing does not necessarily include testing of all parameters.

# TIP2955

## PNP SILICON POWER TRANSISTOR

JANUARY 1972 - REVISED MARCH 1997

### electrical characteristics at 25°C case temperature

PARAMETER		TEST CONDITIONS			MIN	TYP	MAX	UNIT
$V_{(BR)CEO}$	Collector-emitter breakdown voltage	$I_C = -30 \text{ mA}$	$I_B = 0$	(see Note 5)	-60			V
$I_{CEO}$	Collector cut-off current	$V_{CE} = -30 \text{ V}$	$I_B = 0$				-0.7	mA
$I_{CEV}$	Voltage between base and emitter	$V_{CE} = -100 \text{ V}$	$V_{BE} = 1.5 \text{ V}$				-5	mA
$I_{EBO}$	Emitter cut-off current	$V_{EB} = -7 \text{ V}$	$I_C = 0$				-5	mA
$h_{FE}$	Forward current transfer ratio	$V_{CE} = -4 \text{ V}$ $V_{CE} = -4 \text{ V}$	$I_C = -4 \text{ A}$ $I_C = -10 \text{ A}$	(see Notes 5 and 6)	20 5		70	
$V_{CE(sat)}$	Collector-emitter saturation voltage	$I_B = -0.4 \text{ A}$ $I_B = -3.3 \text{ A}$	$I_C = -4 \text{ A}$ $I_C = -10 \text{ A}$	(see Notes 5 and 6)			-1.1 -3	V
$V_{BE}$	Base-emitter voltage	$V_{CE} = -4 \text{ V}$	$I_C = -4 \text{ A}$	(see Notes 5 and 6)			-1.8	V
$h_{fe}$	Small signal forward current transfer ratio	$V_{CE} = -10 \text{ V}$	$I_C = -0.5 \text{ A}$	$f = 1 \text{ kHz}$	20			
$ h_{fe} $	Small signal forward current transfer ratio	$V_{CE} = -10 \text{ V}$	$I_C = -0.5 \text{ A}$	$f = 1 \text{ MHz}$	3			

NOTES: 5. These parameters must be measured using pulse techniques,  $t_p = 300 \mu\text{s}$ , duty cycle  $\leq 2\%$ .

6. These parameters must be measured using voltage-sensing contacts, separate from the current carrying contacts.

### thermal characteristics

PARAMETER		MIN	TYP	MAX	UNIT
$R_{\theta JC}$	Junction to case thermal resistance			1.39	°C/W
$R_{\theta JA}$	Junction to free air thermal resistance			35.7	°C/W

### resistive-load-switching characteristics at 25°C case temperature

PARAMETER		TEST CONDITIONS †			MIN	TYP	MAX	UNIT
$t_{on}$	Turn-on time	$I_C = -6 \text{ A}$	$I_{B(on)} = -0.6 \text{ A}$	$I_{B(off)} = 0.6 \text{ A}$		0.4		$\mu\text{s}$
$t_{off}$	Turn-off time	$V_{BE(off)} = 4 \text{ V}$	$R_L = 5 \Omega$	$t_p = 20 \mu\text{s}$ , dc $\leq 2\%$		0.7		$\mu\text{s}$

† Voltage and current values shown are nominal; exact values vary slightly with transistor parameters.

TYPICAL CHARACTERISTICS

TYPICAL DC CURRENT GAIN  
vs  
COLLECTOR CURRENT

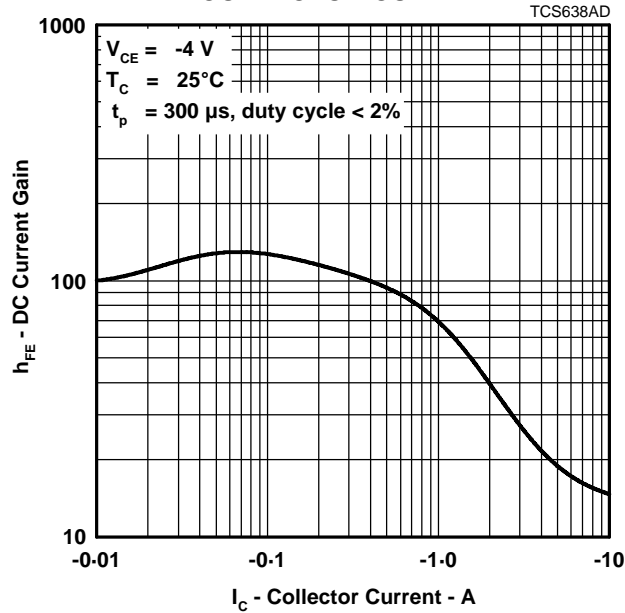


Figure 1.

MAXIMUM SAFE OPERATING REGIONS

MAXIMUM FORWARD-BIAS  
SAFE OPERATING AREA

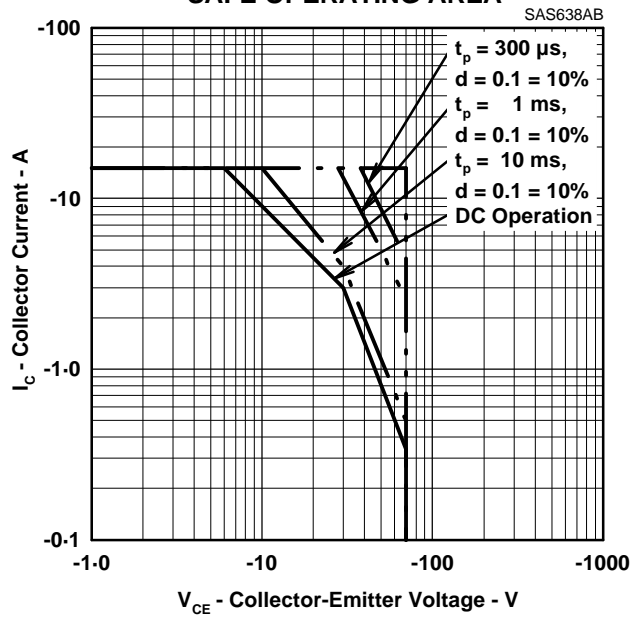


Figure 2.

# TIP2955 PNP SILICON POWER TRANSISTOR

JANUARY 1972 - REVISED MARCH 1997

## THERMAL INFORMATION

### MAXIMUM POWER DISSIPATION VS CASE TEMPERATURE

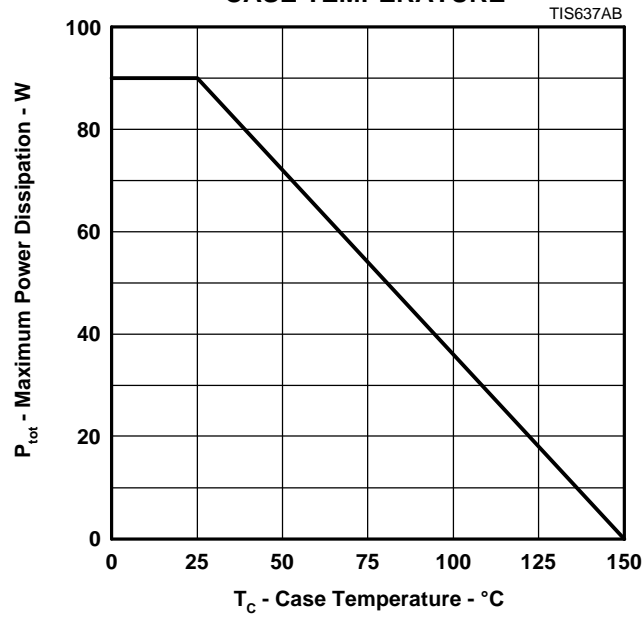


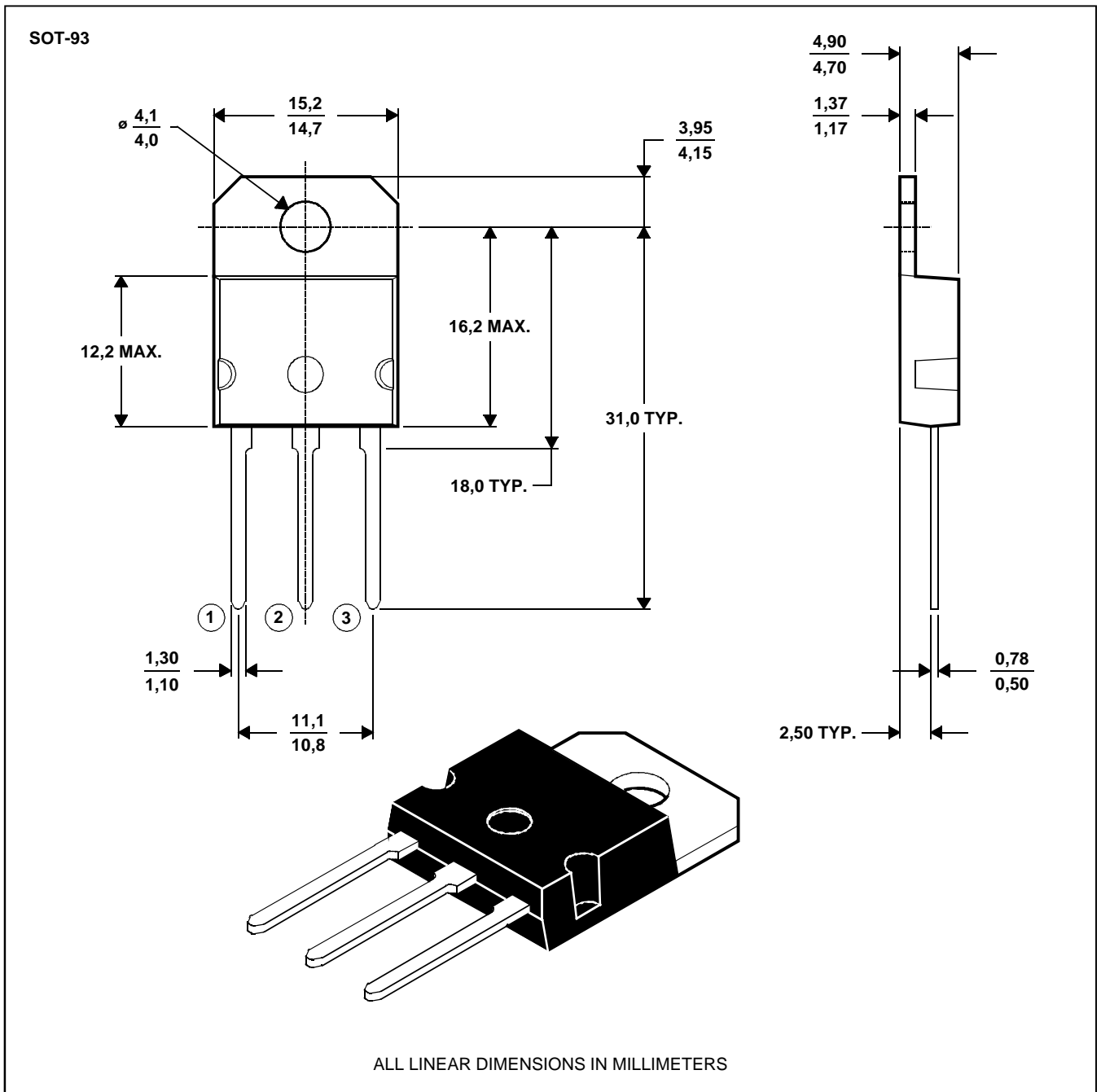
Figure 3.

MECHANICAL DATA

SOT-93

3-pin plastic flange-mount package

This single-in-line package consists of a circuit mounted on a lead frame and encapsulated within a plastic compound. The compound will withstand soldering temperature with no deformation, and circuit performance characteristics will remain stable when operated in high humidity conditions. Leads require no additional cleaning or processing when used in soldered assembly.



NOTE A: The centre pin is in electrical contact with the mounting tab.

MDXXAW

# TIP2955

## PNP SILICON POWER TRANSISTOR

JANUARY 1972 - REVISED MARCH 1997

---

### IMPORTANT NOTICE

Power Innovations Limited (PI) reserves the right to make changes to its products or to discontinue any semiconductor product or service without notice, and advises its customers to verify, before placing orders, that the information being relied on is current.

PI warrants performance of its semiconductor products to the specifications applicable at the time of sale in accordance with PI's standard warranty. Testing and other quality control techniques are utilized to the extent PI deems necessary to support this warranty. Specific testing of all parameters of each device is not necessarily performed, except as mandated by government requirements.

PI accepts no liability for applications assistance, customer product design, software performance, or infringement of patents or services described herein. Nor is any license, either express or implied, granted under any patent right, copyright, design right, or other intellectual property right of PI covering or relating to any combination, machine, or process in which such semiconductor products or services might be or are used.

PI SEMICONDUCTOR PRODUCTS ARE NOT DESIGNED, INTENDED, AUTHORIZED, OR WARRANTED TO BE SUITABLE FOR USE IN LIFE-SUPPORT APPLICATIONS, DEVICES OR SYSTEMS.

Copyright © 1997, Power Innovations Limited

PRODUCT INFORMATION