



POSEICO SPA
POwer SEmiconductors Italian COrporation

POSEICO SPA
Via N. Lorenzi 8, 16152 Genova - ITALY
Tel. ++ 39 010 6556234 - Fax ++ 39 010 6557519
Sales Office:
Tel. ++ 39 010 6556775 - Fax ++ 39 010 6442510

RECTIFIER DIODE

AR340

Repetitive voltage up to **2900 V**
Mean forward current **1265 A**
Surge current **10.1 kA**

FINAL SPECIFICATION

nov 02 - ISSUE : 02

Symbol	Characteristic	Conditions	T _j [°C]	Value	Unit
BLOCKING					
V _{RRM}	Repetitive peak reverse voltage		175	2900	V
V _{RSM}	Non-repetitive peak reverse voltage		175	3000	V
I _{RRM}	Repetitive peak reverse current	V=VRRM	175	50	mA
CONDUCTING					
I _{F(AV)}	Mean forward current	180° sin ,50 Hz, Th=55°C, double side cooled		1265	A
I _{F(AV)}	Mean forward current	180° sin ,50 Hz, Tc=85°C, double side cooled		1320	A
I _{FSM}	Surge forward current	Sine wave, 10 ms without reverse voltage	175	10.1	kA
I ² t	I ² t			510 x 1E3	A ² s
V _{FM}	Forward voltage	Forward current = 1200 A	25	1.30	V
V _{F(TO)}	Threshold voltage		175	0.87	V
r _F	Forward slope resistance		175	0.330	mohm
SWITCHING					
t _{rr}	Reverse recovery time		175		µs
Q _{rr}	Reverse recovery charge				µC
I _{rr}	Peak reverse recovery current				A
MOUNTING					
R _{th(j-h)}	Thermal impedance, DC	Junction to heatsink, double side cooled		50	°C/kW
R _{th(c-h)}	Thermal impedance	Case to heatsink, double side cooled		15	°C/kW
T _j	Operating junction temperature			-30 / 175	°C
F	Mounting force			8.0 / 9.0	kN
	Mass			280	g

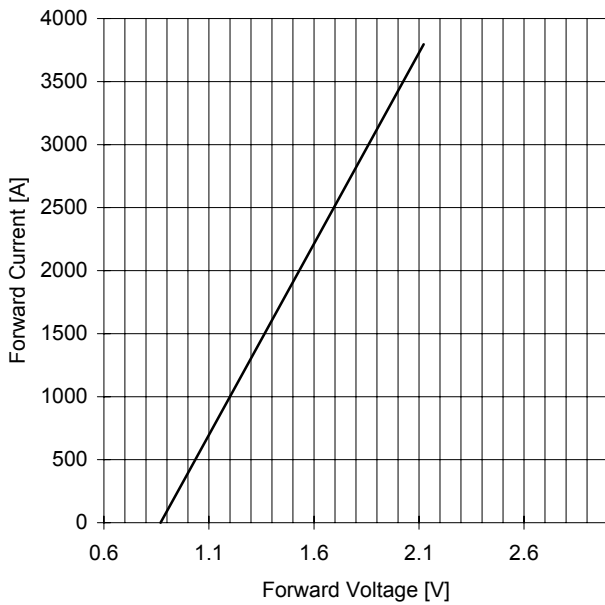
ORDERING INFORMATION : AR340 S 29

standard specification VRRM/100

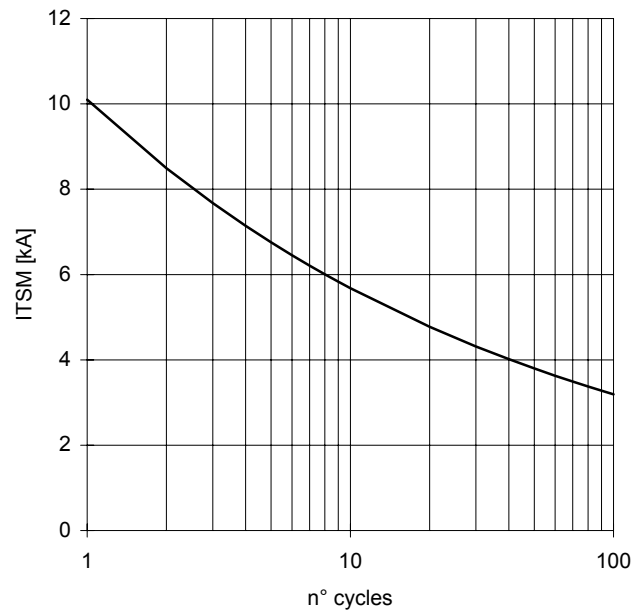
AR340 RECTIFIER DIODE

FINAL SPECIFICATION nov 02 - ISSUE : 02

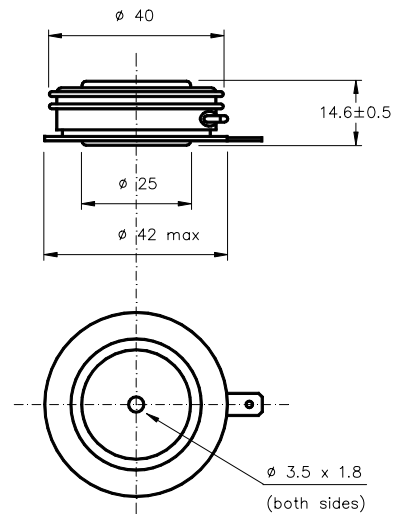
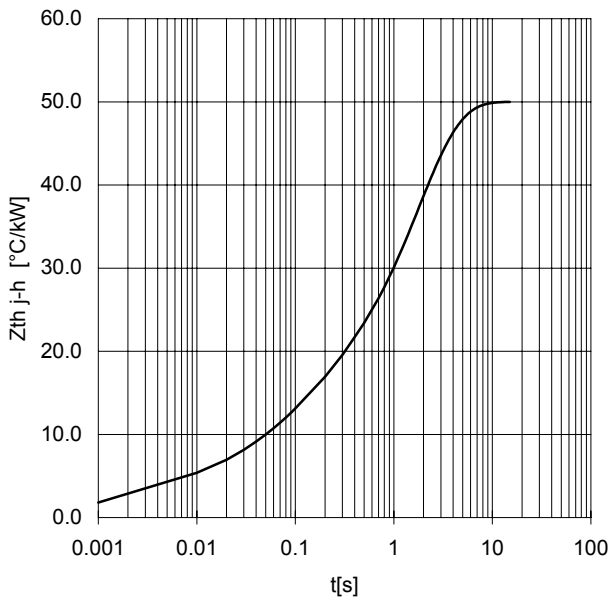
FORWARD CHARACTERISTIC
T_J = 175 °C



SURGE CHARACTERISTIC
T_J = 175 °C



TRANSIENT THERMAL IMPEDANCE
DOUBLE SIDE COOLED



Dimensions
in mm



All the characteristics given in this data sheet are guaranteed only with uniform clamping force, cleaned and lubricated heatsink, surfaces with flatness < .03 mm and roughness < 2 μm.

In the interest of product improvement POSEICO SpA reserves the right to change any data given in this data sheet at any time without previous notice.

If not stated otherwise the maximum value of ratings (symbols over shaded background) and characteristics is reported.

Distributed by

