

**LOW CAPACITANCE TVS ARRAY****APPLICATIONS**

- ✓ Noise Suppression for Data Lines
- ✓ Cellular Phones
- ✓ Personal Digital Assistant (PDA)
- ✓ Digital Cameras
- ✓ Laptop Computers

**IEC COMPATIBILITY (EN61000-4)**

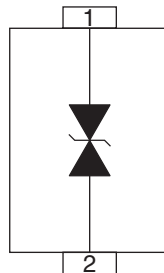
- ✓ 61000-4-2 (ESD): Air - 15kV, Contact - 8kV
- ✓ 61000-4-4 (EFT): 40A - 5/50ns

**FEATURES**

- ✓ ESD Protection > 40 kilovolts
- ✓ 10 Watts Peak Pulse Power per Line (tp = 10/1000µs)
- ✓ Bidirectional Configuration
- ✓ Replacement for MLV (0805)
- ✓ Small Surface Mount Package
- ✓ Protects One Data Line
- ✓ Low Clamping Voltage
- ✓ **LOW CAPACITANCE**

**MECHANICAL CHARACTERISTICS**

- ✓ Molded EIAJ SC-79 & JEDEC SOD-523
- ✓ Weight 10 milligrams (Approximate)
- ✓ Flammability rating UL 94V-0
- ✓ 8mm Tape and Reel Per EIA Standard 481
- ✓ Device Marking: Marking Code

**PIN CONFIGURATION**

**DEVICE CHARACTERISTICS**

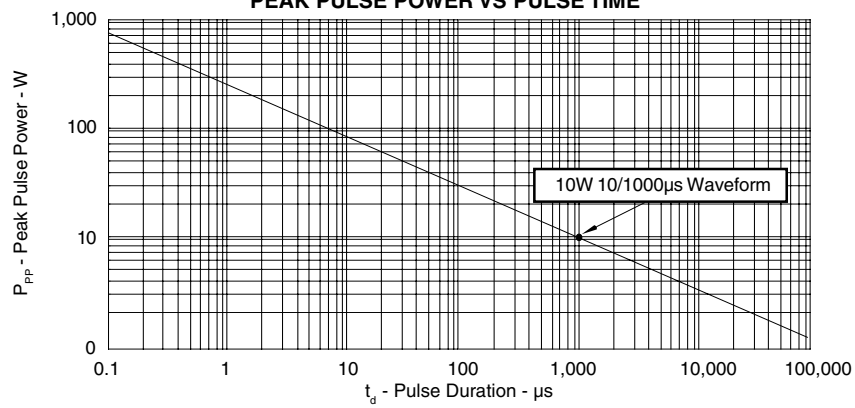
MAXIMUM RATINGS @ 25°C Unless Otherwise Specified			
PARAMETER	SYMBOL	VALUE	UNITS
Peak Pulse Power ( $t_p = 10/1000\mu s$ ) - See Figure 1	$P_{Pk}$	10	W
Power Dissipation	P	150	mW
Junction Temperature	$T_J$	150	°C
Storage Temperature	Tstg	-55 to 150	°C
Operation Temperature	Topr	-50 to 150	°C

ELECTRICAL CHARACTERISTICS PER LINE @ 25°C Unless Otherwise Specified							
PART NUMBER (See Note 1)	DEVICE MARKING CODE	RATED STAND-OFF VOLTAGE  $V_{WM}$ VOLTS	MINIMUM BREAKDOWN VOLTAGE  @ 1mA $V_{(BR)}$ VOLTS	MAXIMUM BREAKDOWN VOLTAGE  @1mA $V_{(BR)}$ VOLTS	MAXIMUM CLAMPING VOLTAGE  @ 10/1000 $\mu s$ $V_C @ I_{PP}$	MAXIMUM LEAKAGE CURRENT  @ 3.5V $I_D$ $\mu A$	TYPICAL CAPACITANCE  @ 0V, 1 MHz C pF
RSB6.8S	C5	4.7	5.7	7.82	10V @ 1A	0.5	30

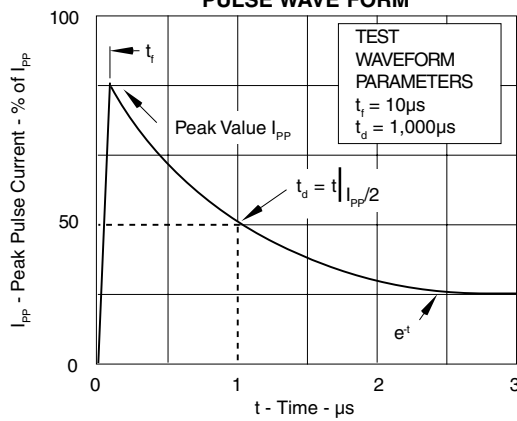
**Note 1:** Bidirectional device. Test both polarities.

GRAPHS

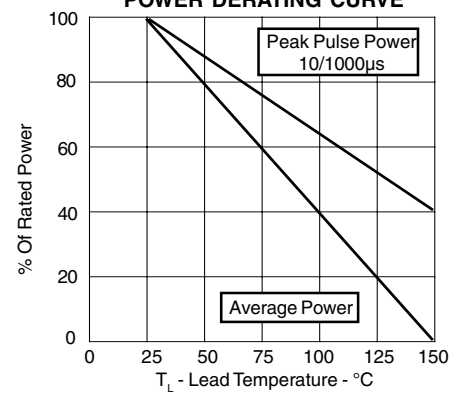
**FIGURE 1  
PEAK PULSE POWER VS PULSE TIME**



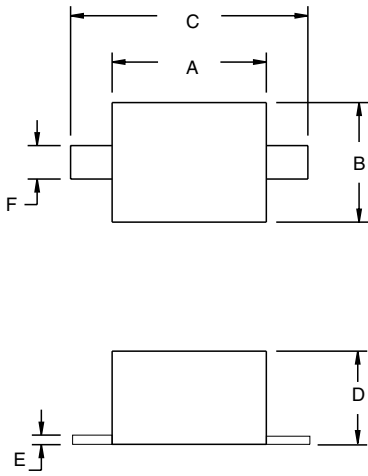
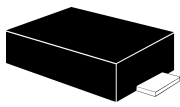
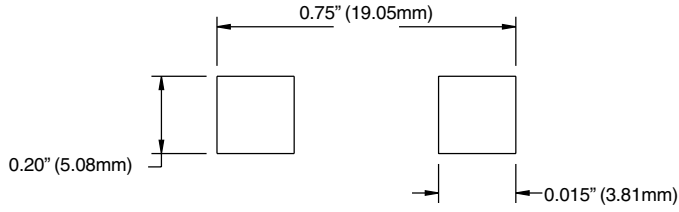
**FIGURE 2  
PULSE WAVE FORM**



**FIGURE 3  
POWER DERATING CURVE**



## PACKAGE OUTLINE & DIMENSIONS

<p style="text-align: center;"><b>PACKAGE OUTLINE</b></p> 	<p style="text-align: center;"><b>SC79/SOD523 PACKAGE</b></p> 																																							
<p style="text-align: center;"><b>MOUNTING PAD</b></p> 	<p><b>PACKAGE DIMENSIONS</b></p> <table border="1"> <thead> <tr> <th rowspan="2">DIM</th> <th colspan="2">INCHES</th> <th colspan="2">MILLIMETERS</th> </tr> <tr> <th>MIN</th> <th>MAX</th> <th>MIN</th> <th>MAX</th> </tr> </thead> <tbody> <tr> <td>A</td> <td>0.043</td> <td>0.049</td> <td>1.10</td> <td>1.30</td> </tr> <tr> <td>B</td> <td>0.028</td> <td>0.035</td> <td>0.70</td> <td>0.90</td> </tr> <tr> <td>C</td> <td>0.059</td> <td>0.066</td> <td>1.50</td> <td>1.70</td> </tr> <tr> <td>D</td> <td>0.020</td> <td>0.028</td> <td>0.50</td> <td>0.70</td> </tr> <tr> <td>E</td> <td>0.003</td> <td>0.008</td> <td>0.08</td> <td>0.20</td> </tr> <tr> <td>F</td> <td colspan="2">0.30 BSE</td> <td colspan="2">0.012 BSE</td> </tr> </tbody> </table> <p><b>NOTES</b></p> <ol style="list-style-type: none"> <li>Controlling Dimensions in Millimeters.</li> <li>Dimensions are exclusive of mold flash and metal burrs.</li> </ol> <p><b>TAPE &amp; REEL ORDERING NOMENCLATURE</b></p> <ol style="list-style-type: none"> <li>Surface mount product is taped and reeled in accordance with EIA-481.</li> </ol> <p style="text-align: right;"><b>Outline &amp; Dimensions: Rev 0 - 8/02, 06037</b></p>	DIM	INCHES		MILLIMETERS		MIN	MAX	MIN	MAX	A	0.043	0.049	1.10	1.30	B	0.028	0.035	0.70	0.90	C	0.059	0.066	1.50	1.70	D	0.020	0.028	0.50	0.70	E	0.003	0.008	0.08	0.20	F	0.30 BSE		0.012 BSE	
DIM	INCHES		MILLIMETERS																																					
	MIN	MAX	MIN	MAX																																				
A	0.043	0.049	1.10	1.30																																				
B	0.028	0.035	0.70	0.90																																				
C	0.059	0.066	1.50	1.70																																				
D	0.020	0.028	0.50	0.70																																				
E	0.003	0.008	0.08	0.20																																				
F	0.30 BSE		0.012 BSE																																					

**COPYRIGHT © ProTek Devices 2003**

SPECIFICATIONS: ProTek reserves the right to change the electrical and or mechanical characteristics described herein without notice (except JEDEC).

DESIGN CHANGES: ProTek reserves the right to discontinue product lines without notice, and that the final judgement concerning selection and specifications is the buyer's and that in furnishing engineering and technical assistance, ProTek assumes no responsibility with respect to the selection or specifications of such products.

**ProTek Devices**  
 2929 South Fair Lane, Tempe, AZ 85282  
 Tel: 602-431-8101 Fax: 602-431-2288  
 E-Mail: [sales@protekdevices.com](mailto:sales@protekdevices.com)  
 Web Site: [www.protekdevices.com](http://www.protekdevices.com)