

STEERING DIODE ARRAY

APPLICATIONS

- ✓ USB Interface Ports
- ✓ Cellular Phones
- ✓ Set Top Box Interface
- ✓ Sensor Interface
- ✓ Video Interface Ports
- ✓ Handheld Electronics
- ✓ Desktop PCs Computers
- ✓ Personnal Digital Assistant (PDA)

IEC COMPATIBILITY (EN61000-4)

- ✓ 61000-4-2 (ESD): Air - 15kV, Contact - 8kV
- ✓ 61000-4-4 (EFT): 40A - 5/50ns

FEATURES

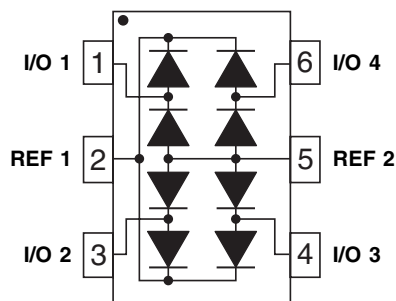
- ✓ ESD Protection > 25 kilovolts
- ✓ 500 Milliwatt Continuous Power Dissipation
- ✓ Provides Four (4) Lines of Protection
- ✓ **LOW LEAKAGE CURRENT < 1.0μA**
- ✓ **ULTRA LOW CAPACITANCE: 5pF Per Diode**

MECHANICAL CHARACTERISTICS

- ✓ Molded JEDEC SO-23-6
- ✓ Weight 66 milligrams (Approximate)
- ✓ Flammability rating UL 94V-0
- ✓ 8mm Tape and Reel Per EIA Standard 481
- ✓ Marking: Marking Code & Pin One Defined By DOT on Top of Package



PIN CONFIGURATION

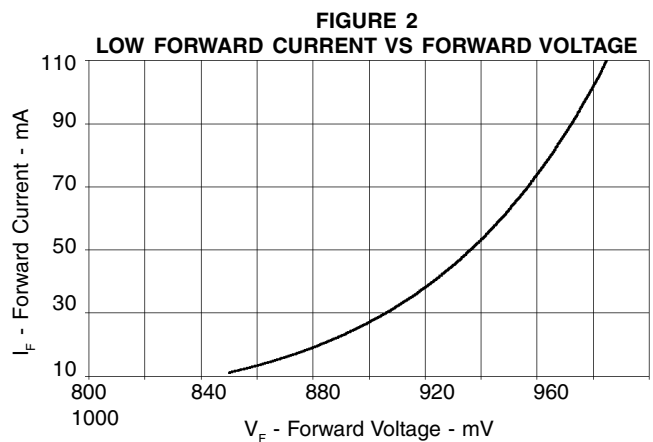
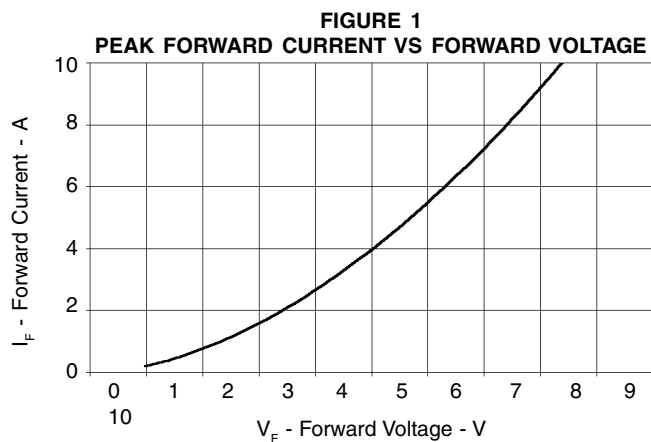


DEVICE CHARACTERISTICS

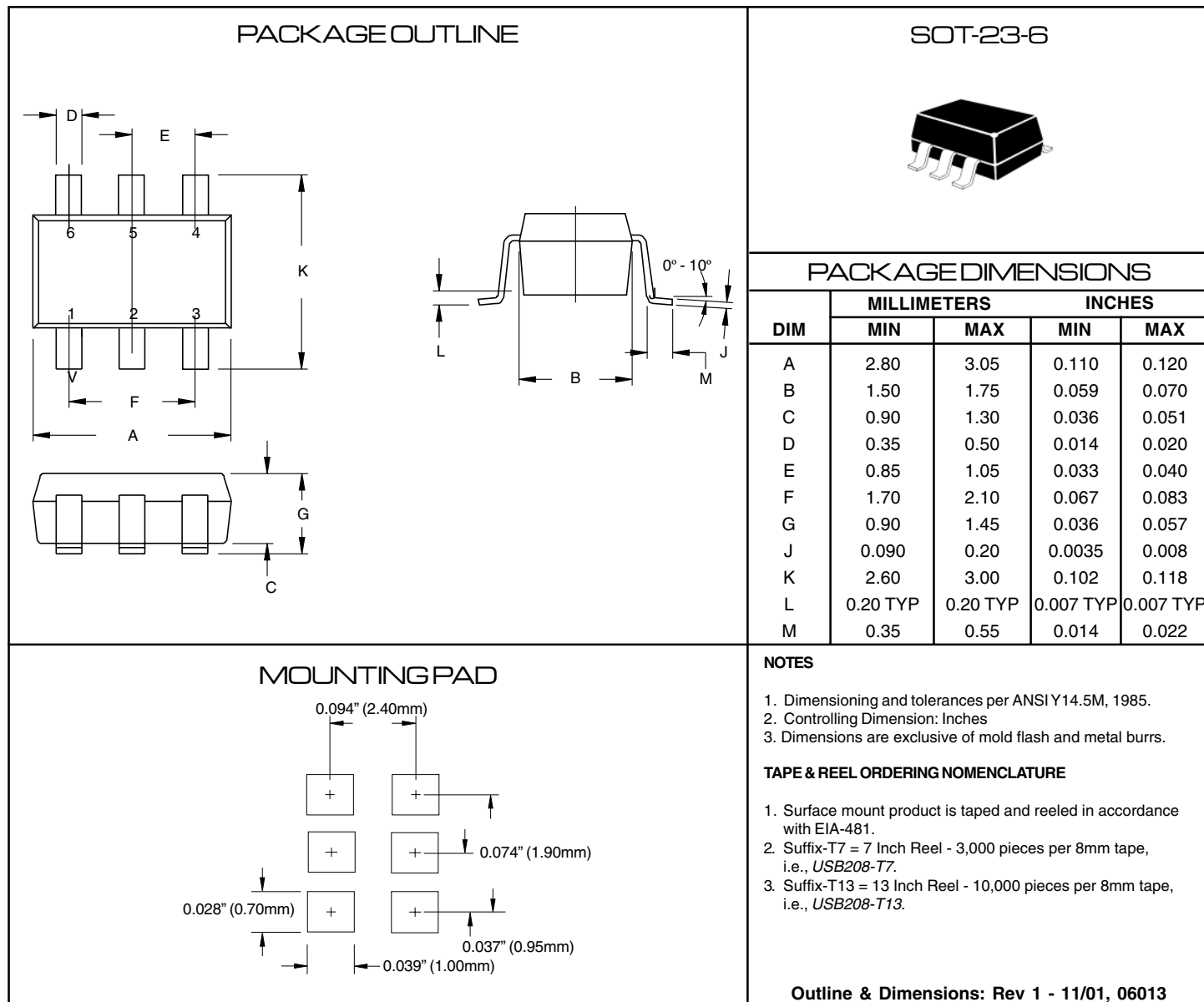
MAXIMUM RATINGS @ 25°C Unless Otherwise Specified			
PARAMETER	SYMBOL	VALUE	UNITS
Operating Temperature	T_J	-55°C to 150°C	°C
Storage Temperature	T_{STG}	-55°C to 150°C	°C
Continuous Power Dissipation	P_{PC}	500	mW
Repetitive Peak Forward Current @ $t_p=5\mu s, F=50kHz$ (Pin 2 - 3)	I_{FRM}	700	mA

ELECTRICAL CHARACTERISTICS PER LINE @ 25°C Unless Otherwise Specified					
PART NUMBER	DEVICE MARKING CODE	REPETITIVE PEAK REVERSE VOLTAGE @ 10 μA V_{RRM} VOLTS	MAXIMUM REVERSE LEAKAGE CURRENT (PER DIODE) V_{RRM} @ 5V I_R μA	MAXIMUM FORWARD VOLTAGE @ 50mA V_F VOLTS	MAXIMUM CAPACITANCE (See Note 1) C_j pF
USB208	PSB	20	1	1.2	5

Note 1: Apply a 5V bias between pins 2 (REF 1) to pin 5 (REF 2). Measure C_j between any I/O pins to pin 5 (REF 2) and divide by two.



PACKAGE OUTLINE & DIMENSIONS



COPYRIGHT © ProTek Devices 2003

SPECIFICATIONS: ProTek reserves the right to change the electrical and or mechanical characteristics described herein without notice (except JEDEC).

DESIGN CHANGES: ProTek reserves the right to discontinue product lines without notice, and that the final judgement concerning selection and specifications is the buyer's and that in furnishing engineering and technical assistance, ProTek assumes no responsibility with respect to the selection or specifications of such products.

ProTek Devices
 2929 South Fair Lane, Tempe, AZ 85282
 Tel: 602-431-8101 Fax: 602-431-2288
 E-Mail: sales@protekdevices.com
 Web Site: www.protekdevices.com