
“One Hour” Programmable Fan Controller

PT2120

Description

PT2120 is a programmable fan controller IC utilizing CMOS Technology specially designed in a new revolutionary concept. PT2120 may be programmed according to your customer's special requirement at least cost and shorter development time. Hands-on experience in developing and programming the fan controller functions such as wind pattern, timer scale, and other add-on features such as remote control decoding circuitry in less than an hour is only possible with PT2120 (Demo Kit). Thus, the PT2120 is popularly dubbed as “The One Hour Programmable Fan”. One advantage of PT2120 is that reprogrammable. This means that the user is able to repetitively make modifications until he is satisfied with his fan design features at no additional costs. The programmed PT2120 (Demo Kit) may then be used for immediate function testing as well as pilot run. Housed in a 28-pin DIP or SO Package, PT2120 incorporates custom-design functions with PTCs high performance and long term reliability features making it the ideal answer to every fan and other electronic household application need.

Features

- CMOS Technology
- Least External Components
- Low Power Consumption
- Pre-Set Start-Up Timer up to 15 Hours
- 2 Swing Heads
- Memory Start-Up Mode
- Programmable Rhythm Wind Pattern, Middle Wind Start-Up, Operational Mode & Timer Scale
- Available in 28 Pins, DIP or SO Package
- Buzzer Output Pin Provided
- Programmable Temperature Control
- May be used with PT2268 (Transmitter) for Remote Control Applications

Applications

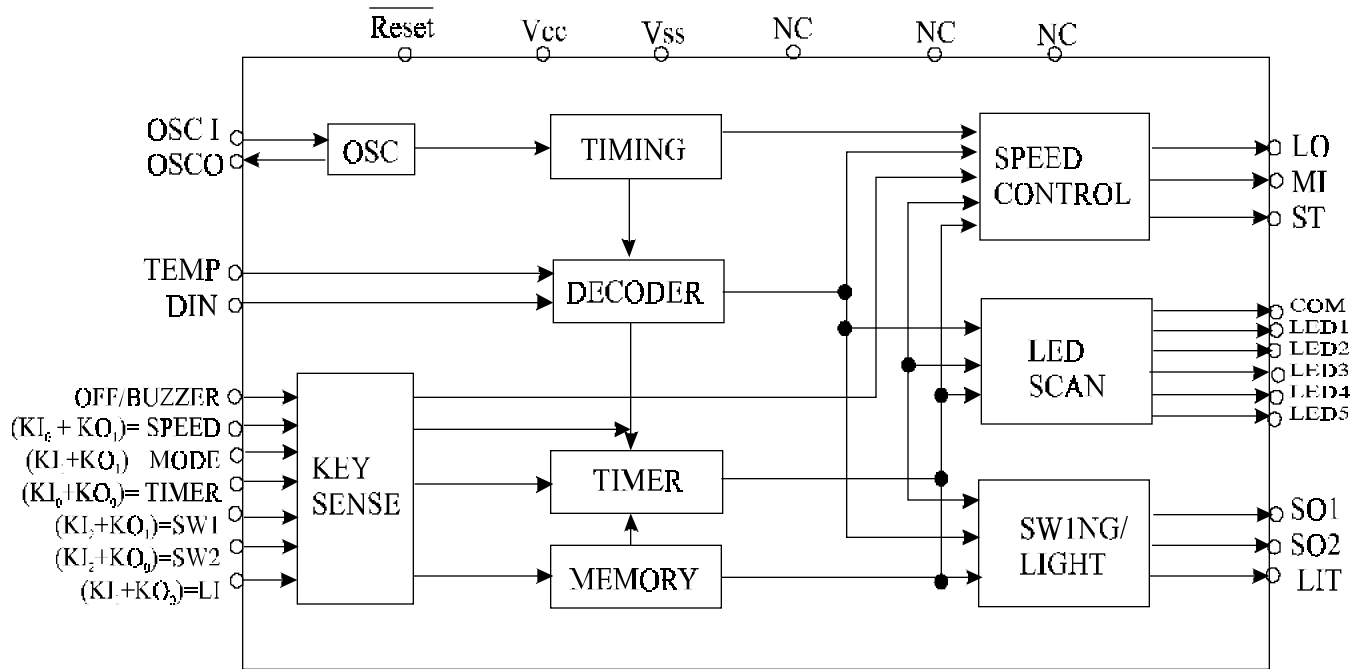
- Optimized Use for Fan Applications
 - Heater/Cooler Fan
 - Rangehood
 - Exhaust Fan
 - Air Cleaner/Humidifier/Dehumidifier
 - Washing Machine
 - Dryer/Dish Washer
 - Other Electrical Home Appliance with Timer & Temperature Control
-
-



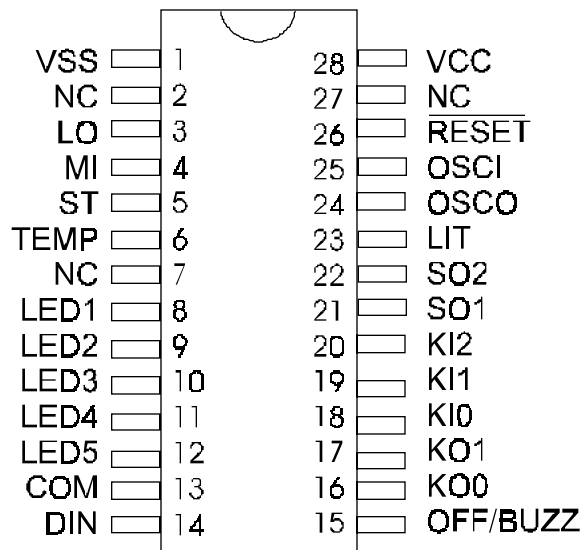
“One Hour” Programmable Fan Controller

PT2120

Block Diagram



Pin Configuration

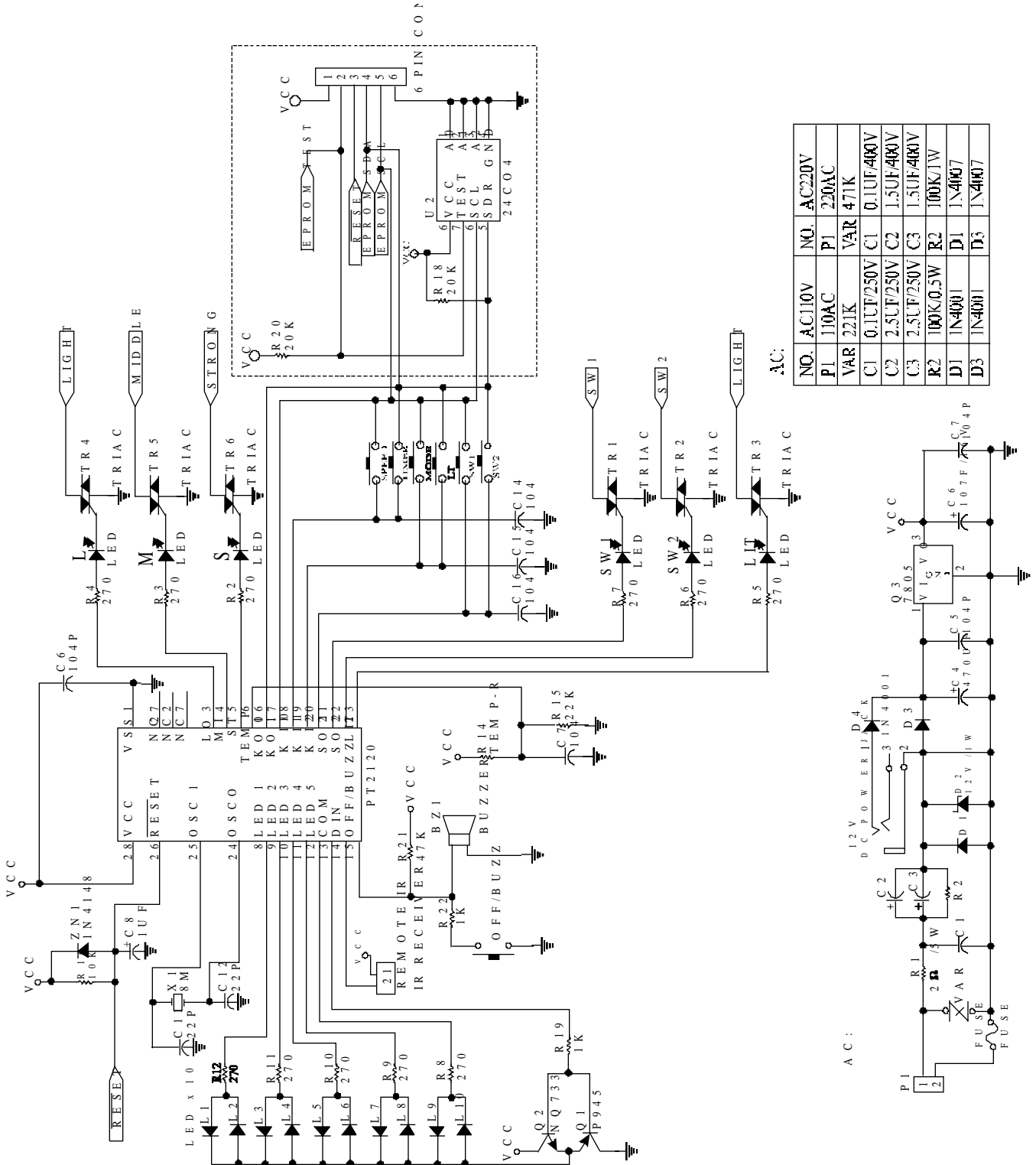


PT2120

“One Hour” Programmable Fan Controller

PT2120

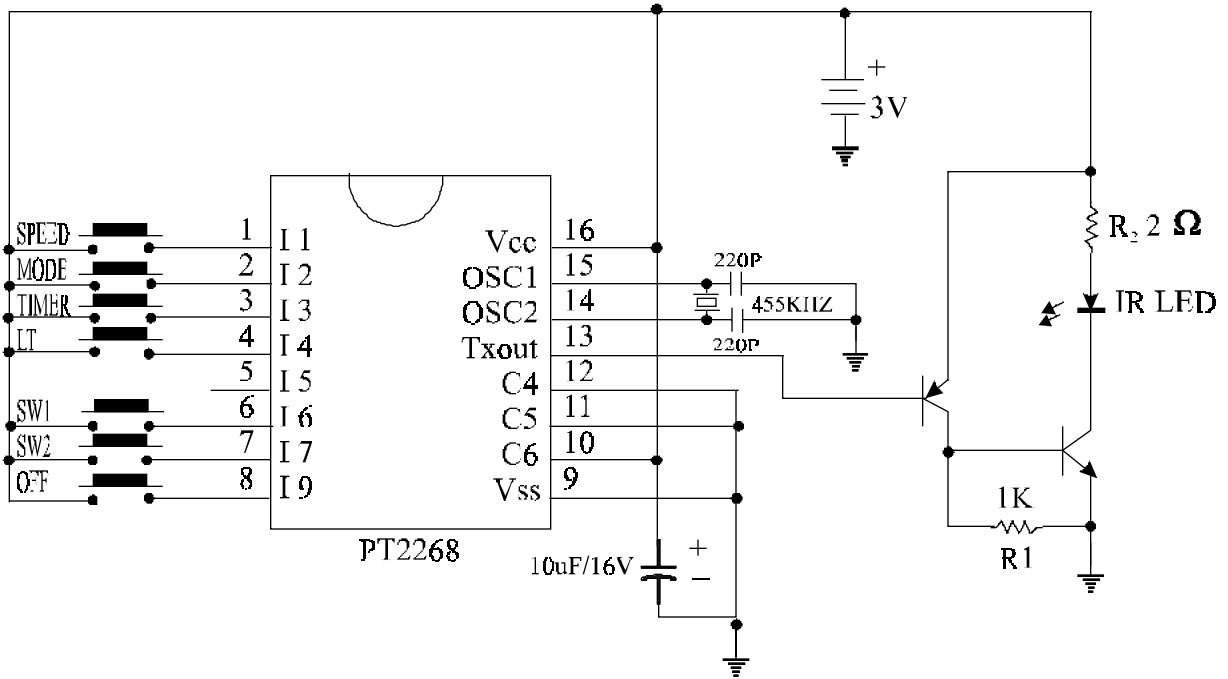
PT2120 Remote Control Application Circuit



“One Hour” Programmable Fan Controller

PT2120

PT2268 IR Transmitter Application Circuit



Order Information

Part Number	Package
PT2120	28 Pins, DIP
PT2120-S	28 Pins, SO

PT 2120 - X

- Package Type:
D : DIP Package (may be omitted)
S : SOP Package
- Part Number
- PTC Prefix