

FAN CONTROLLER

DESCRIPTION

PT2125 is a fan controller that has all of PT2124's functions plus two toggle output for swing head control, rhythm wind and buzzer functions.

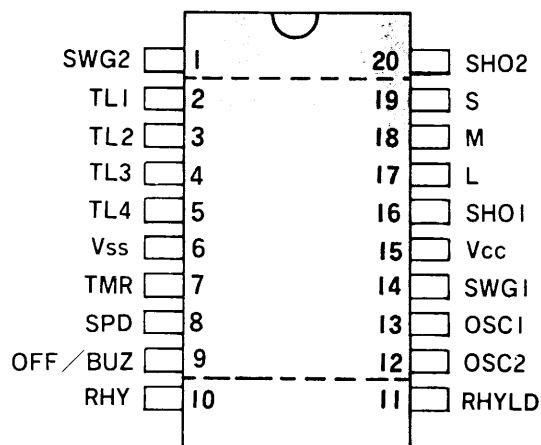
FEATURES

- CMOS Technology
- 4-step timer scale, 3-state wind speed
- 2-second middle wind start up
- 2 sets toggle input and output
- Buzzer function
- Auto countdown timer control with LED display
- Two base frequency input: 32768Hz or 50/60Hz

APPLICATIONS

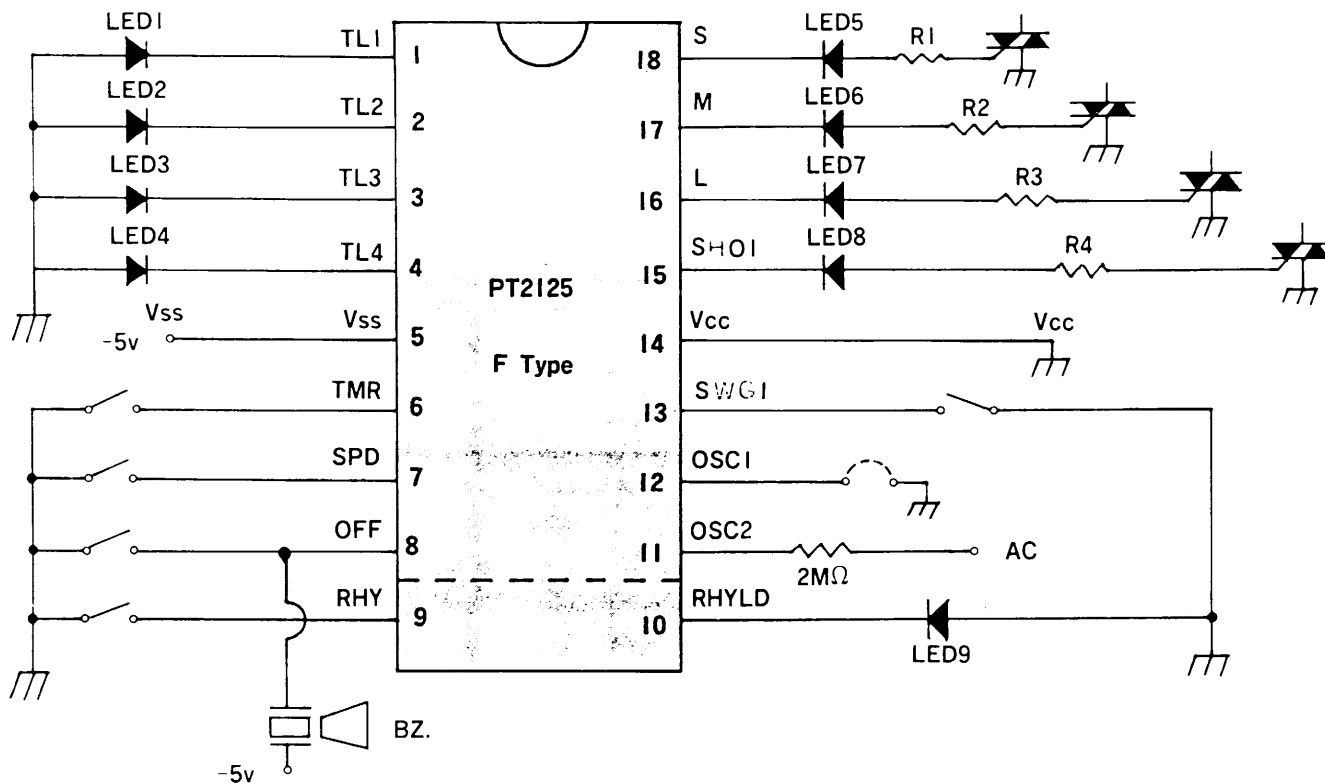
Fan, Heater Fan, Timer

PIN CONFIGURATION



20pin DIP Type

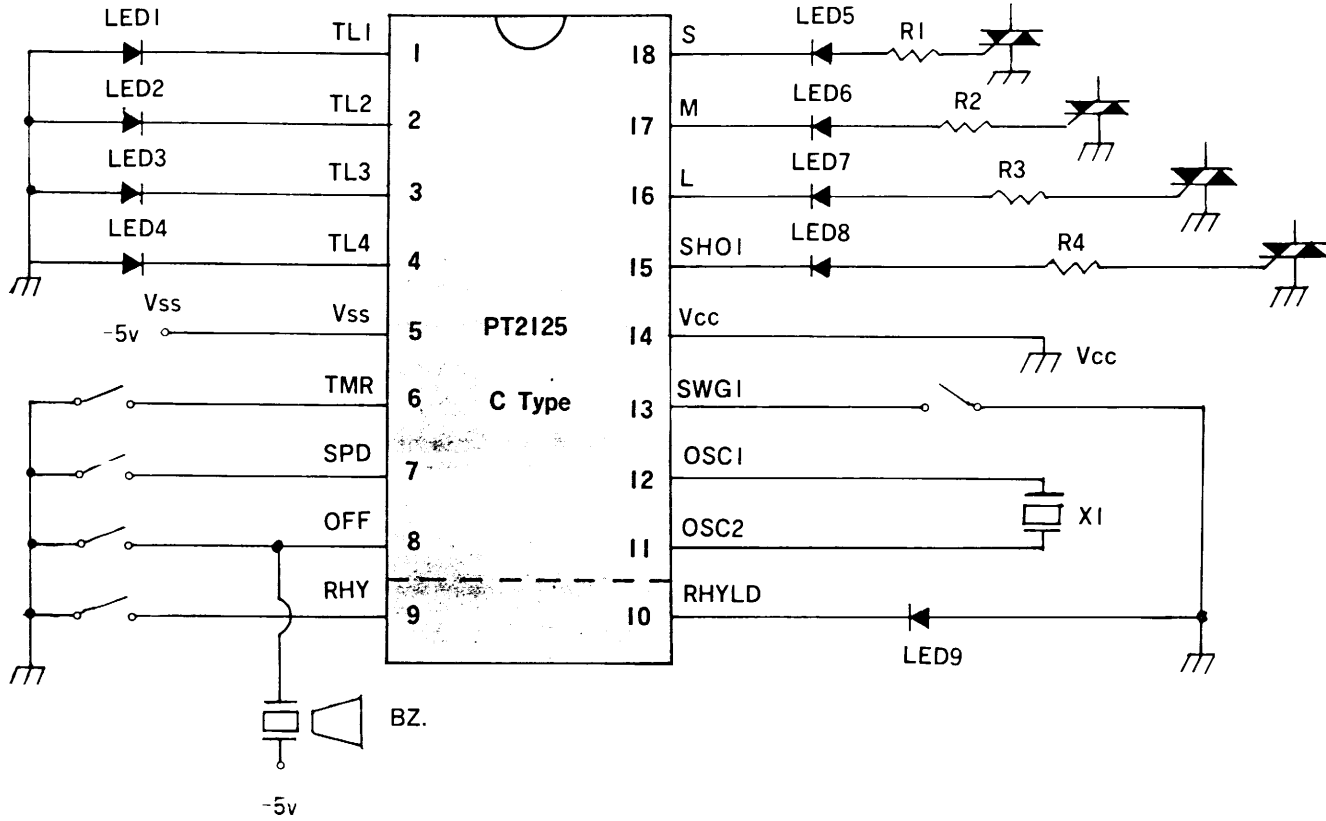
APPLICATION CIRCUIT



PARTS LIST

| PARTS | VALUE |
|-----------|--------------|
| LED1-LED9 | LED |
| R1-R4 | 300Ω / 0.25W |
| X1 | 32768Hz |
| BZ | 4.1KHz |

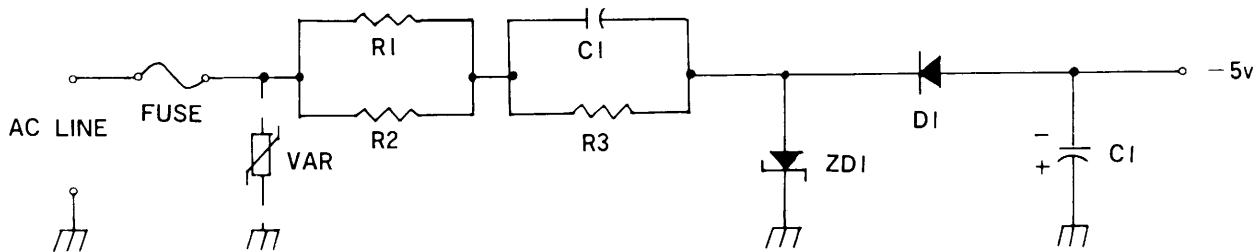
APPLICATION CIRCUIT



PARTS LIST

| PARTS | VALUE |
|-----------|--------------|
| LED1-LED9 | LED |
| R1-R4 | 300Ω / 0.25W |
| X1 | 32768Hz |
| BZ | 4.1KHz |

POWER SUPPLY APPLICATION CIRCUIT



| AC LINE | | | | | | | |
|--------------|----------|------|-----------|--------------|------|-----------|-----------|
| 110V 50/60Hz | | | | 220V 50/60Hz | | | |
| PARTS | VALUE | UNIT | TOLERANCE | VALUE | UNIT | TOLERANCE | REMARKS |
| VAR | 220 | V | | 450 | V | | OPTIONAL* |
| ZD1 | 5.6/0.5W | V | | 5.6/1W | V | | |
| R1 | 100/0.5W | OHM | ± 10% | 47/1W | OHM | ± 10% | |
| R2 | 100/0.5W | OHM | ± 10% | 47/1W | OHM | ± 10% | |
| R3 | 100K/1W | OHM | ± 10% | 100K/1W | OHM | ± 10% | |
| D1 | 1N4006 | | | 1N4006 | | | |
| C1 | 470/16V | μ F | ± 20% | 470/16V | μ F | ± 20% | |
| C2 | 1.5/250V | μ F | ± 20% | 1.0/400V | μ F | ± 20% | |
| FUSE | 1 | A | | 1 | A | | OPTIONAL* |

*Note: Safer for connection.

ORDERING INFORMATION

| PART NO. | PACKAGE |
|-----------------|-----------|
| PT2125-C4N-RNM1 | 18pin DIP |
| PT2125-F4N-RNM2 | 20pin DIP |
| PT2125-C8N-RNM1 | 18pin DIP |
| PT2125-F8N-RNM2 | 20pin DIP |
| PT2125-C8N-NNM1 | 16pin DIP |

Note : Typical function & package type

PT-2125-X XN-XNX X-X

