

FAN CONTROLLER

DESCRIPTION

PT2126 is a fan controller housed in 18, 20 and 22 pin packages.

The wind pattern is more complex than PT2125 and it has sleep wind function.

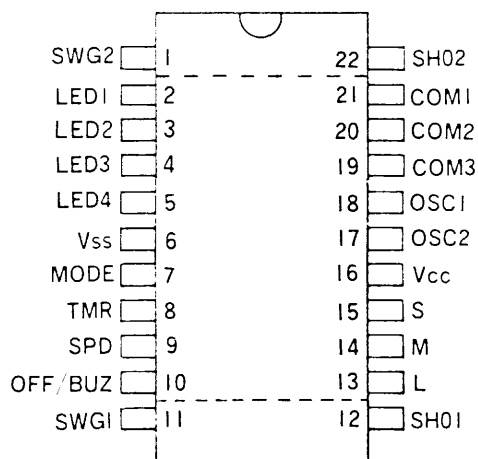
FEATURES

- CMOS Technology
- Ordinary, Rhythm and Sleep wind control
- 3 speed control!
- 4-step timer control, ladder adder or non-ladder adder
- 64 patterns, 256 seconds rhythm cycle
- Timer can be set up to 15 hours
- 2-swing head control

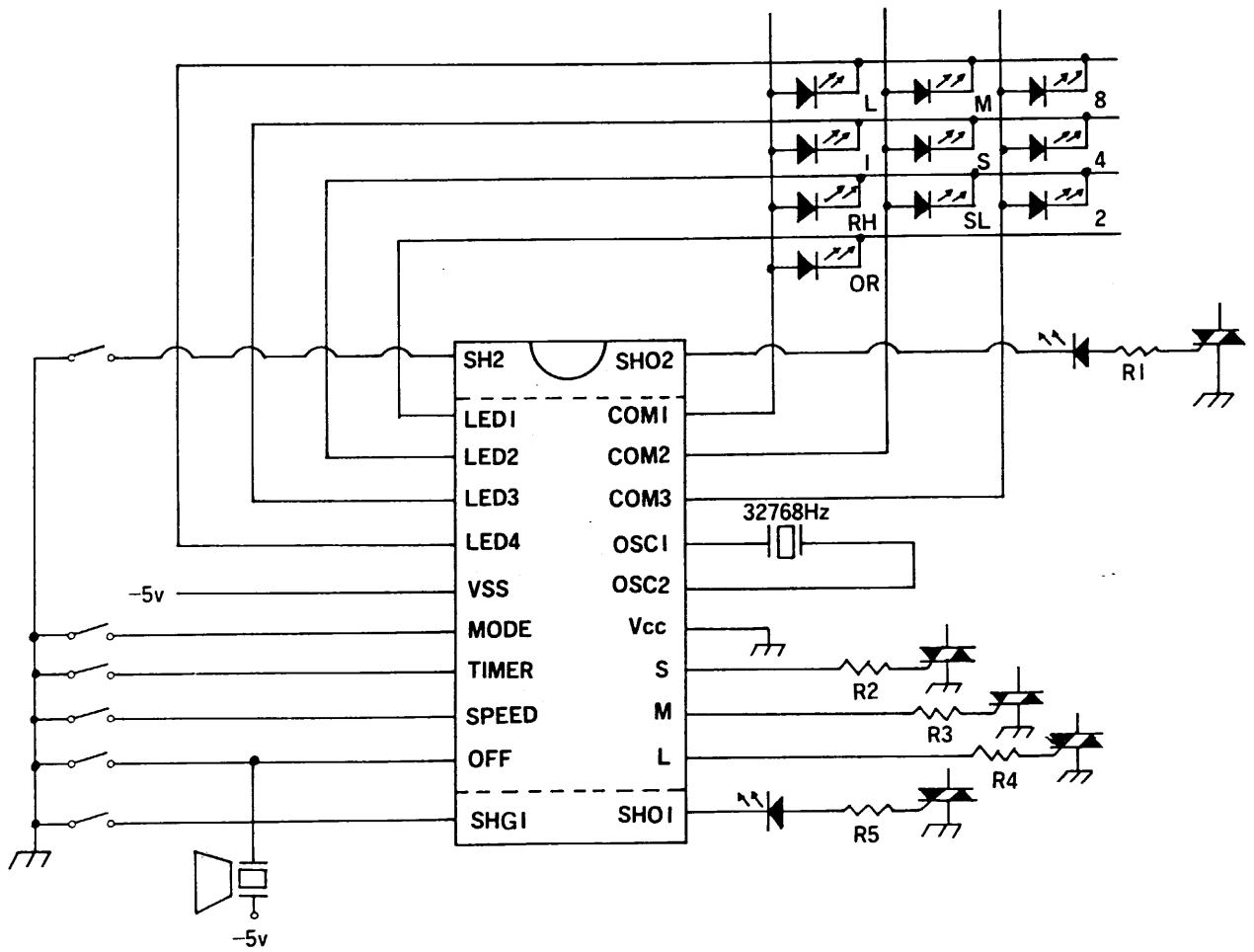
APPLICATIONS

Fan, Heater Fan, Timer

PIN CONFIGURATIONS

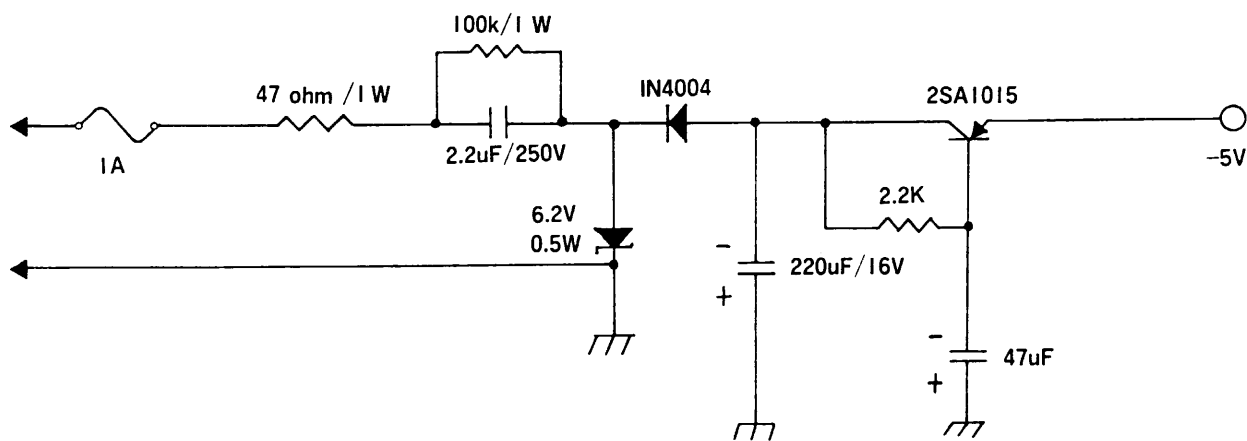


APPLICATION CIRCUIT



Note: R1~R5 may be adjusted by the trigger current of triac.

POWER SUPPLY APPLICATION CIRCUIT



ORDERING INFORMATION

PART NO.	PACKAGE
PT2126-C4N-RSM2	22 pin DIP
PT2126-C4N-RSM1	20 pin DIP
PT2126-C4A-RSM1	20 pin DIP

Note: Typical function & package type

