



Infrared Remote Control Transmitter

PT2212

DESCRIPTION

PT2212 is a remote control transmitter utilizing CMOS Technology specially designed for infrared remote control applications. PT2212 can support up to 256 command codes and is functionally compatible with TC9012. Pin assignments and application circuit are optimized for easy PCB Layout and low cost advantage.

FEATURES

- CMOS Technology
- Low Power Consumption
- Least External Components
- Low Voltage Operation
- Double Key Operation
- Up to 32 Function Keys provided
- Up to 8 System Codes
- Up to 256 Command Codes
- High Efficiency Transmission
- Transmission Indication Output Pin provided

APPLICATIONS

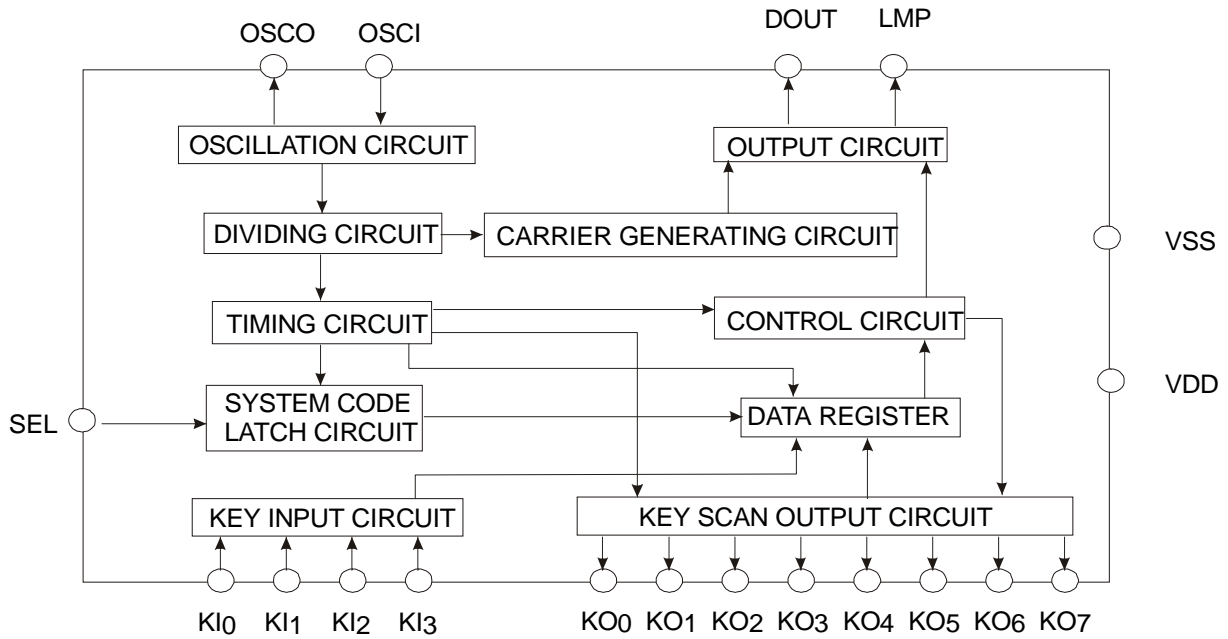
- Television
- VCR
- Video Disc
- CD Player
- AV Controller
- Audio Equipment



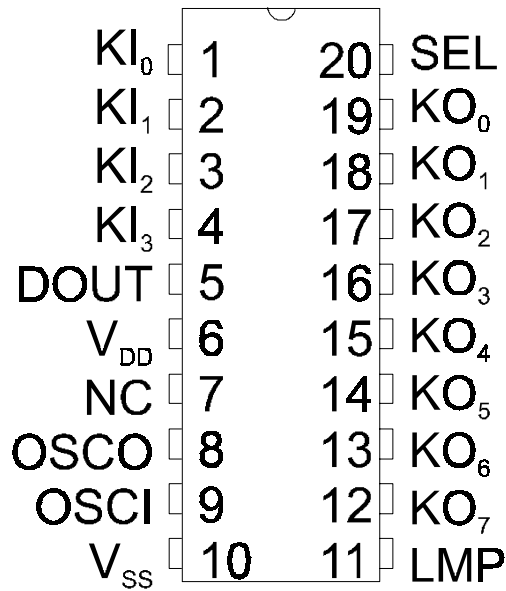
Infrared Remote Control Transmitter

PT2212

BLOCK DIAGRAM



PIN CONFIGURATION





Infrared Remote Control Transmitter

PT2212

APPLICATION CIRCUIT

