



Description

PT2255A is an electronic volume controller IC utilizing CMOS Technology specially designed for use on audio equipment. It has two (2) built-in channels making it ideally suitable for mono and stereo sound applications. PT2255A provides a wide frequency response range and a very low harmonic distortion to mention a few; thereby guaranteeing a highly effective and reliable performance.

Features

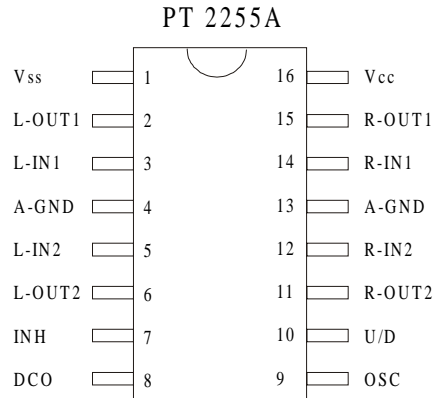
- CMOS Technology
- Low Power Consumption
- High Operating Voltage Range : $V_{cc} = 4 \sim 12 \text{ V}$
(Backup Voltage is up to 4 V)
- 0dB to -34dB attenuation controlled by 1dB/step
- 2 Channels in each chip
- Capable to control attenuation by a built-in oscillator and Up/Down Pin
- Single Power Supply or Dual Power Supplies of (+) and (-) can be used
- Wide Frequency Response Range
- Very Low Harmonic Distortion
- Available in 16 pins, DIP or SO Package

Application

- Audio Equipment Volume Control



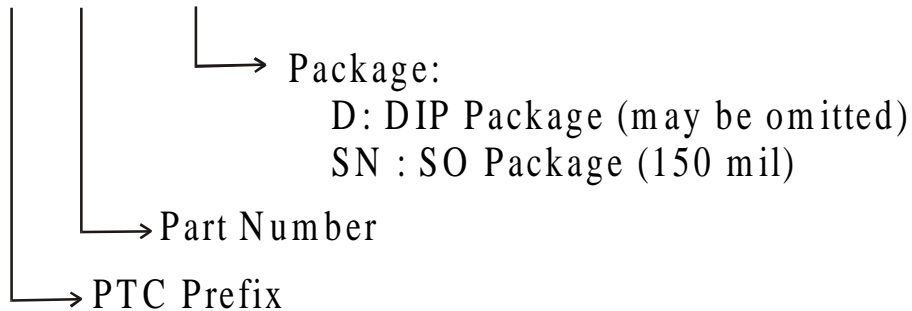
Pin Configuration



Ordering Information

Valid Part Number	Package
PT2255A	16 Pins, DIP
PT2255A-SN	16 Pins, SO (150 mil)

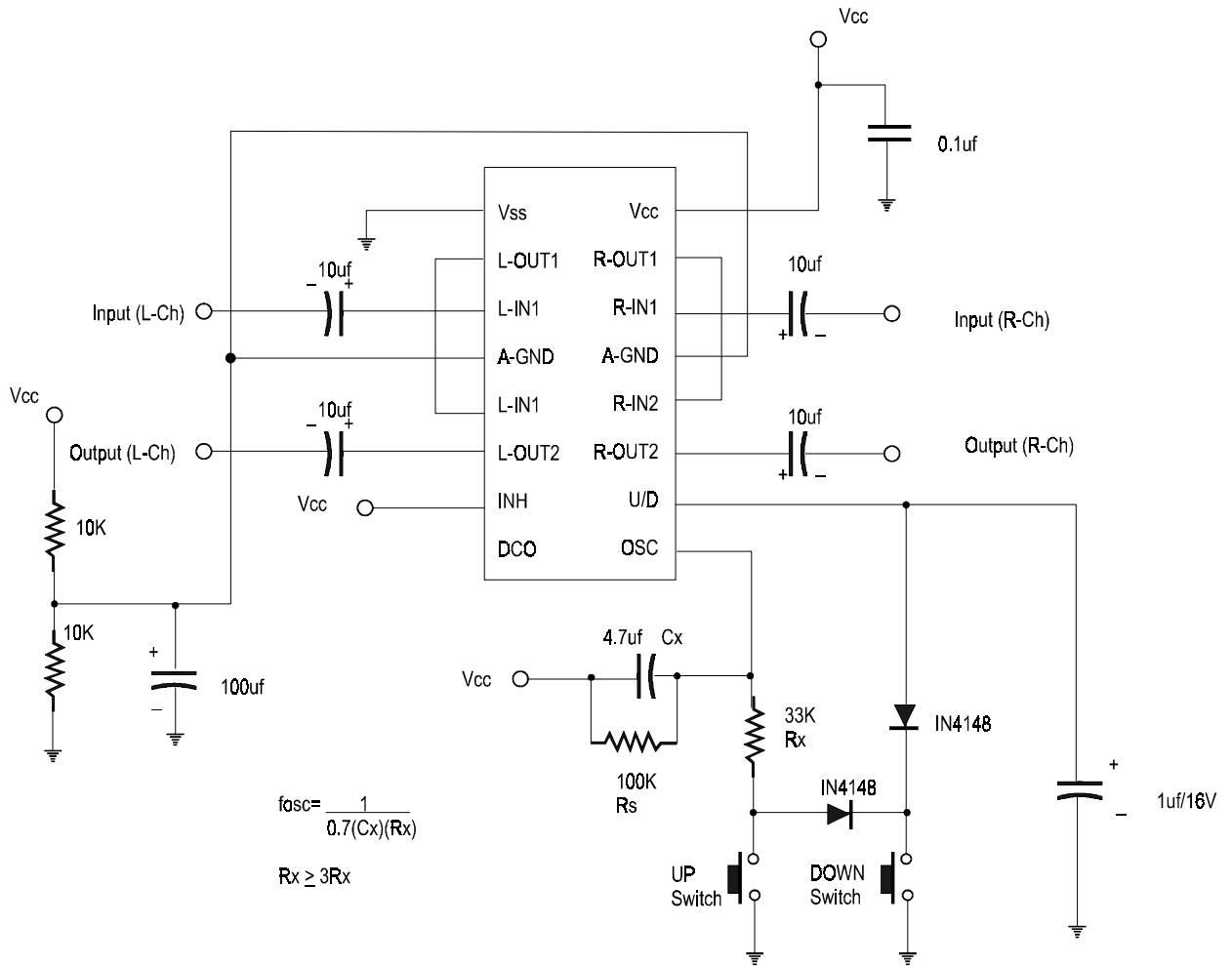
PT2255A - X





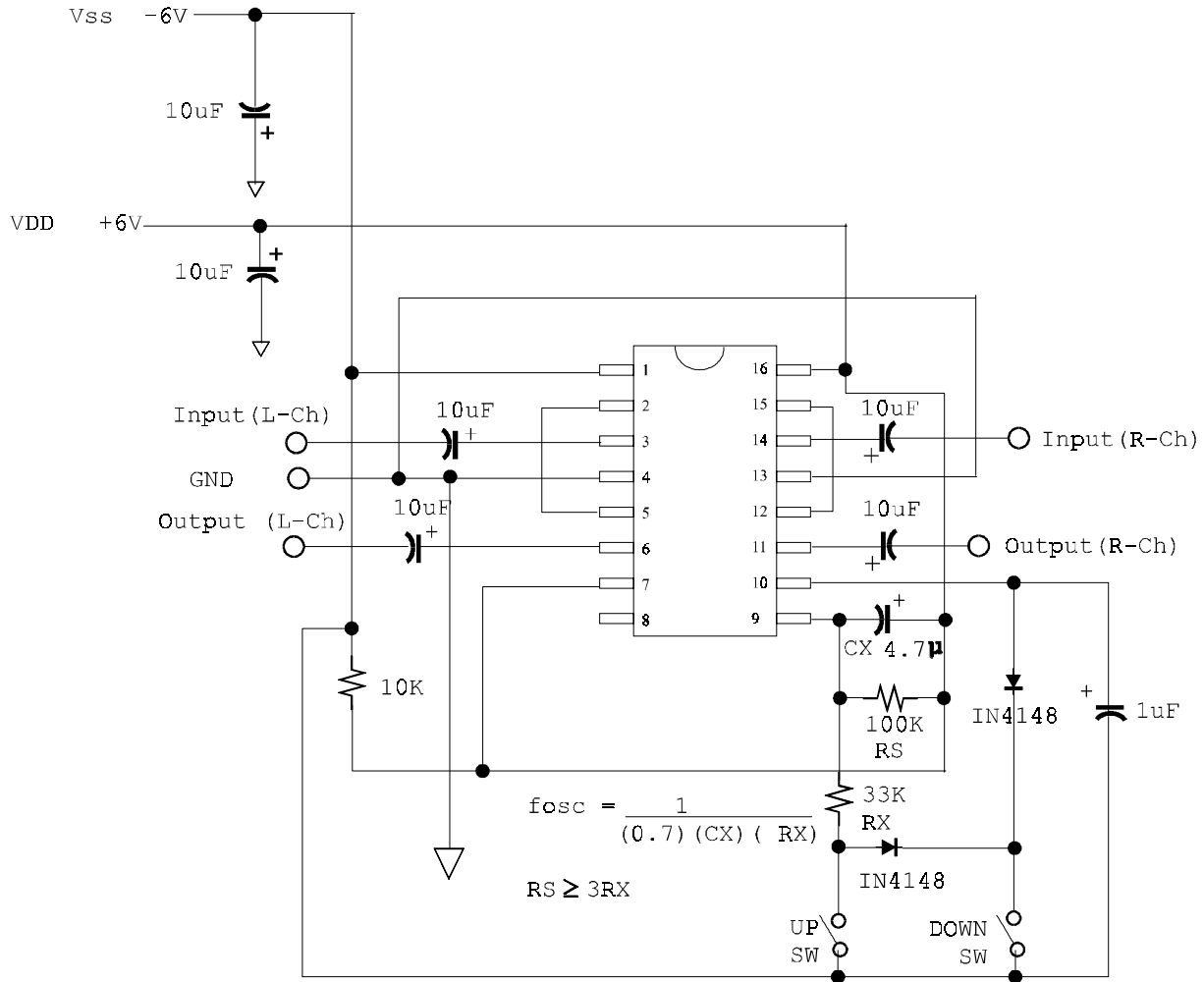
Application Circuits

Single Power Supply





Dual Power Supply





Princeton Technology Corp.

Tel: 886-2-29162151

Fax: 886-2-29174598

URL: <http://www.princeton.com.tw>

Electronic Volume Controller IC

PT2255A
