



## Description

PT2265 is a remote control encoder paired with PT2275 utilizing CMOS Technology. Using a special coding technique, PT2265 increases noise immunity to a very great extent and can perform one bit error check. It is housed in 14-pins, DIP Package and has a maximum of eight (8) input channels. Its high performance features make PT2265 a MUST in every fan and other electrical home appliance remote control application.

## Features

- CMOS Technology
- Low Power Consumption
- Very High Noise Immunity
- Operating Voltage :  $V_{cc} = 2.2 \sim 5.0$  Volts
- Transmits signals to a maximum of 8 channels
- Start Word Custom Code Options Available (Please contact PTC for details.)

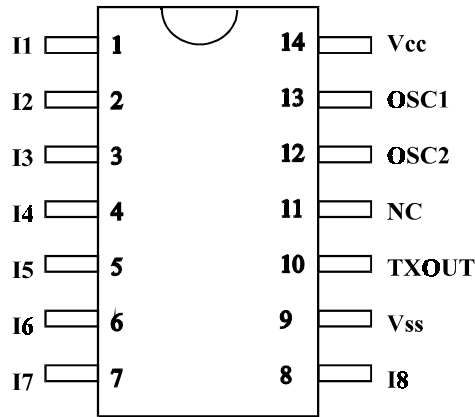
## Applications

- Fan Remote Control
- Air Cleaner
- Humidifier
- Heater

Note: PT2265 has been updated and can be identified by the “B” mark on the lower right hand corner of the IC’s topcode (beside the date code). Please refer to the diagram on the Order Information Section. The difference between the old and new version is the external application circuit in the OSC1 and OSC2 pins. (*see Oscillator Section*)



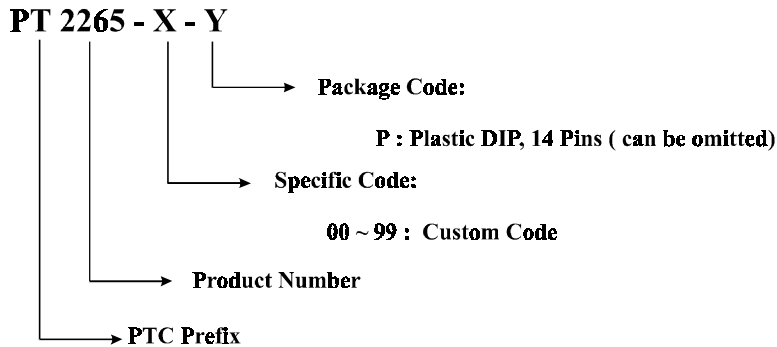
# Pin Configuration



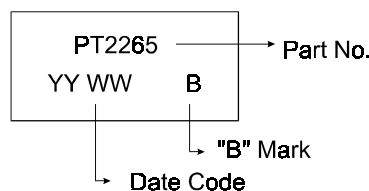
**PT 2265  
ENCODER**

# Order Information

Part Number	Package
PT2265	14 Pins, DIP



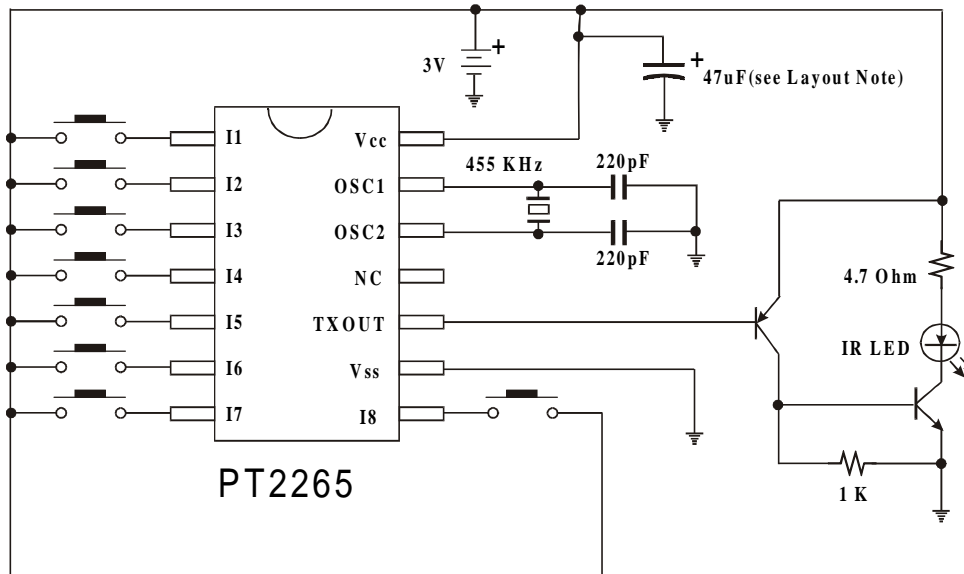
The New Version of PT2265 is identified by the “B” Mark on the lower right hand corner of the topcode. Please refer to the following diagram:



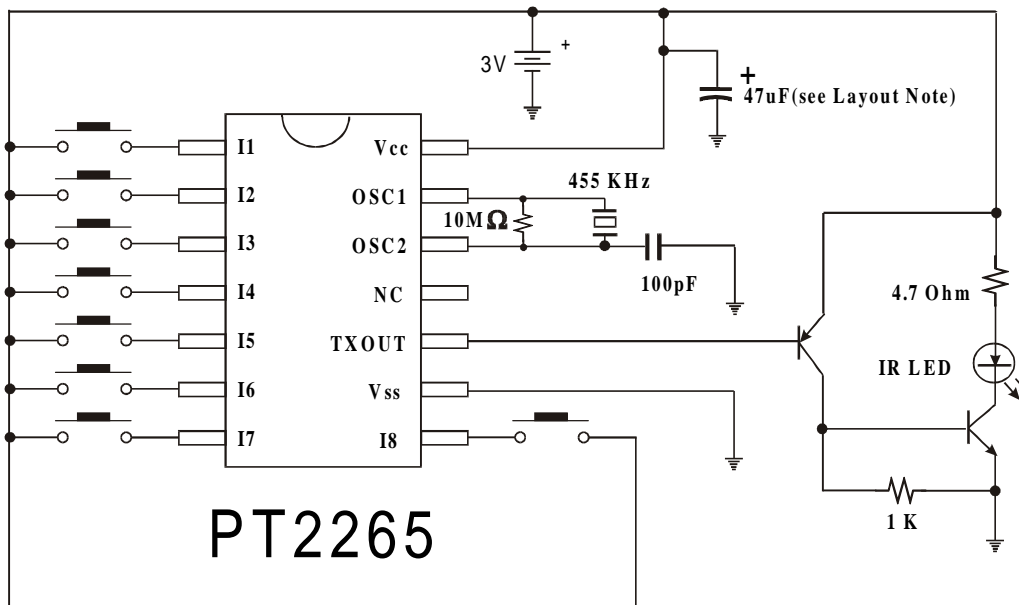


# Application Circuit

## PT2265 New Version (with "B" mark near Date Code) IR Transmitter Application Circuit



## PT2265 Old Version IR Transmitter Application Circuit



Layout Note: Place the 47uF Capacitor as close as possible to the PT2265's Vcc Pin & GND.