

Analog Function Switch

PT233

Description

PT233 is a feather touch function analog switch utilizing CMOS Technology. It features a mute output to prevent “POP” Noise during the switching time, built-in analog switches and allows direct LED drive for status Display and others through the built-in current buffer transistor. The Control System and Analog Switch are operated by a single power supply. Pin assignments and application circuit are optimized for easy PCB Layout as well as cost saving advantage.

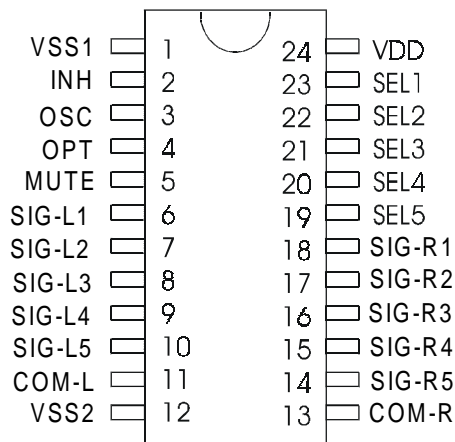
Features

- CMOS Technology
- Low Power Consumption
- High Noise Immunity
- Least External Components
- Muting Output is Available
- Built-in Large Current Buffer Transistor

Applications

- Audio System
- Hi-Fi Stereo System

Pin Configuration

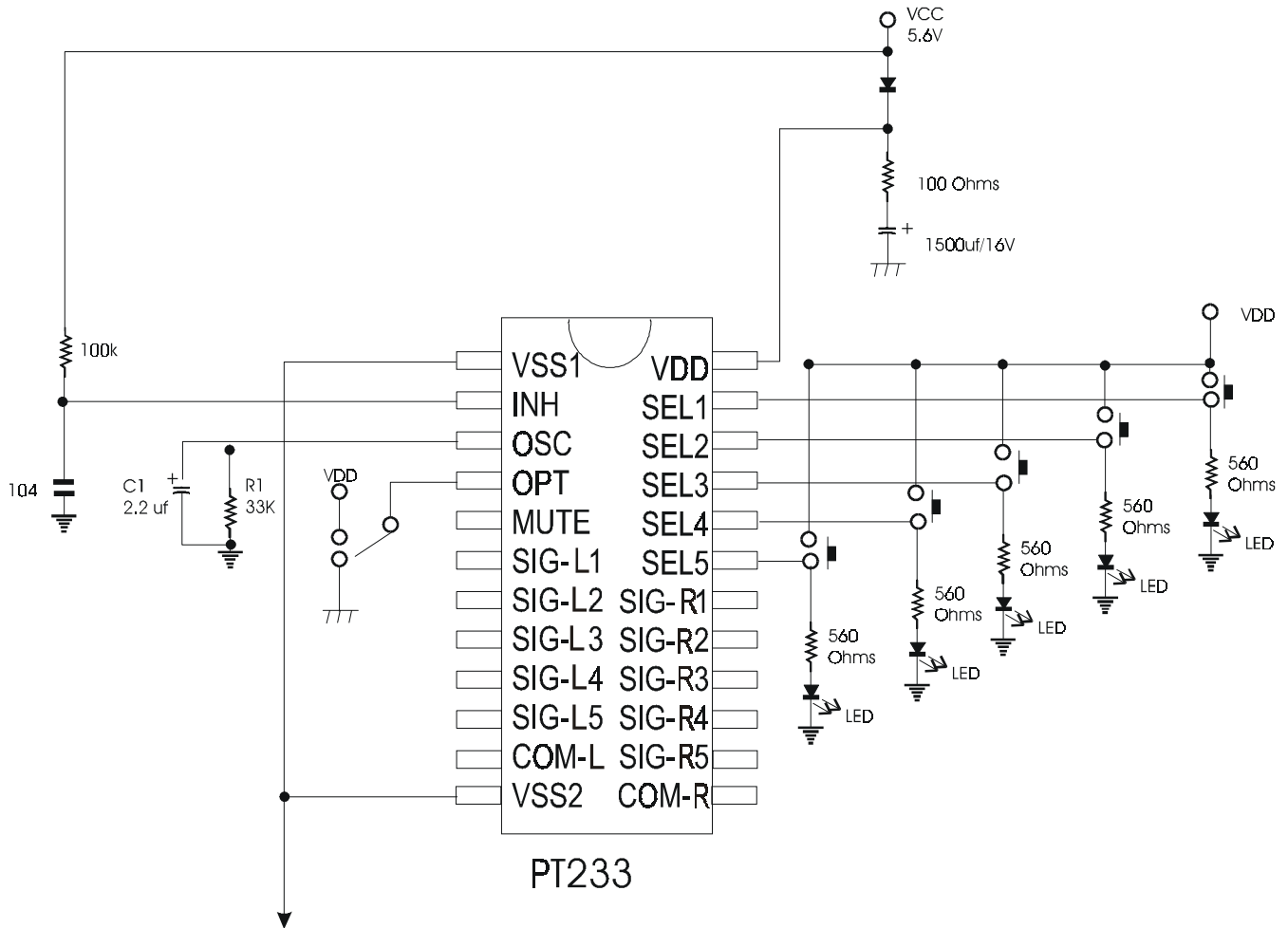


PT233

Analog Function Switch

PT233

Application Circuit



ORDER INFORMATION

Valid Part Number	Package Type
PT233	24 Pins, DIP Package (600 mil)