



LCD Driver IC

PT6630

DESCRIPTION

PT6630 is a Common Dot Matrix LCD Driver utilizing CMOS Technology. It provides 80 bits bi-directional shift register and a 4-level LCD Driver. Input/output pins for serial connections can be used to increase the number of bits of PT6630 and can be used with the segment driver PT6601 to drive a wide screen LCD Panel. Pin assignment and application circuit are optimized for easy PCB Layout and cost saving advantages.

FEATURES

- CMOS Technology
- 80 bits On-Chip Display Drive Circuit
- 1/64 to 1/256 Display Duty may be selected
- Supports Externally Supplied Bias Voltage
- On-Chip 80-bit Bi-Directional Shift Register
- Supports Single Mode (80-Bit Shift Register) Application: O1 -->O80, O80 -->O1
- Dual Mode (40-Bit x 2 Shift Register) Application: O1-->O40 and O41-->O80, O80-->O41 and O40 -->O1
- Operating Power Supply: VDD (Logic Section): 5V \pm 10%
VDD-VEE (LCD Section): 12V to 32V
- Operating Temperature: -20 to +75°C
- Available in C.O.B. or 100-pin, QFP Package

APPLICATION

- Peripheral Device

ORDER INFORMATION

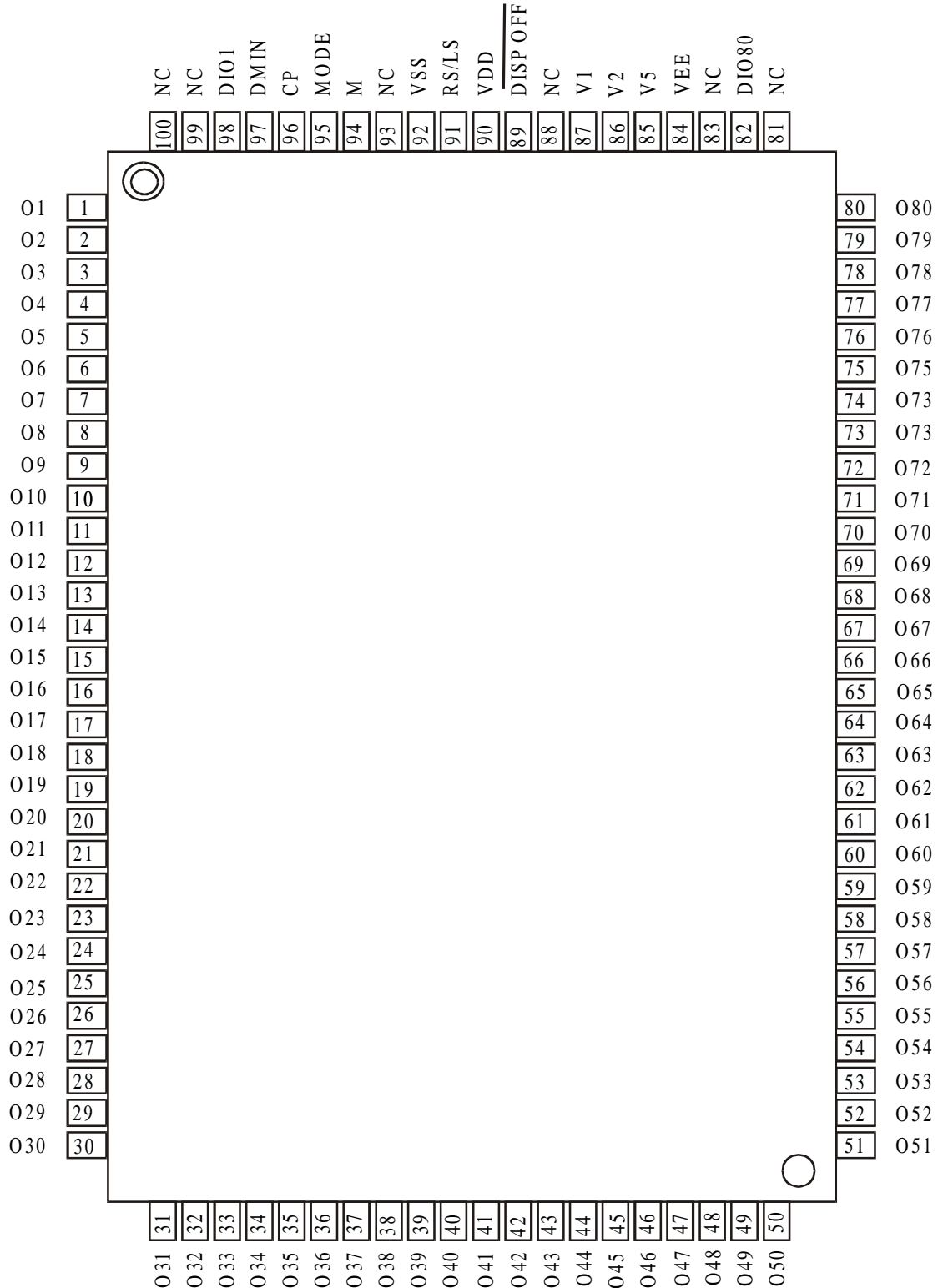
Valid Part Number	Package Type
PT6630	100 Pins, QFP Package
PT6630-H	C.O.B.



LCD Driver IC

PT6630

PIN CONFIGURATION

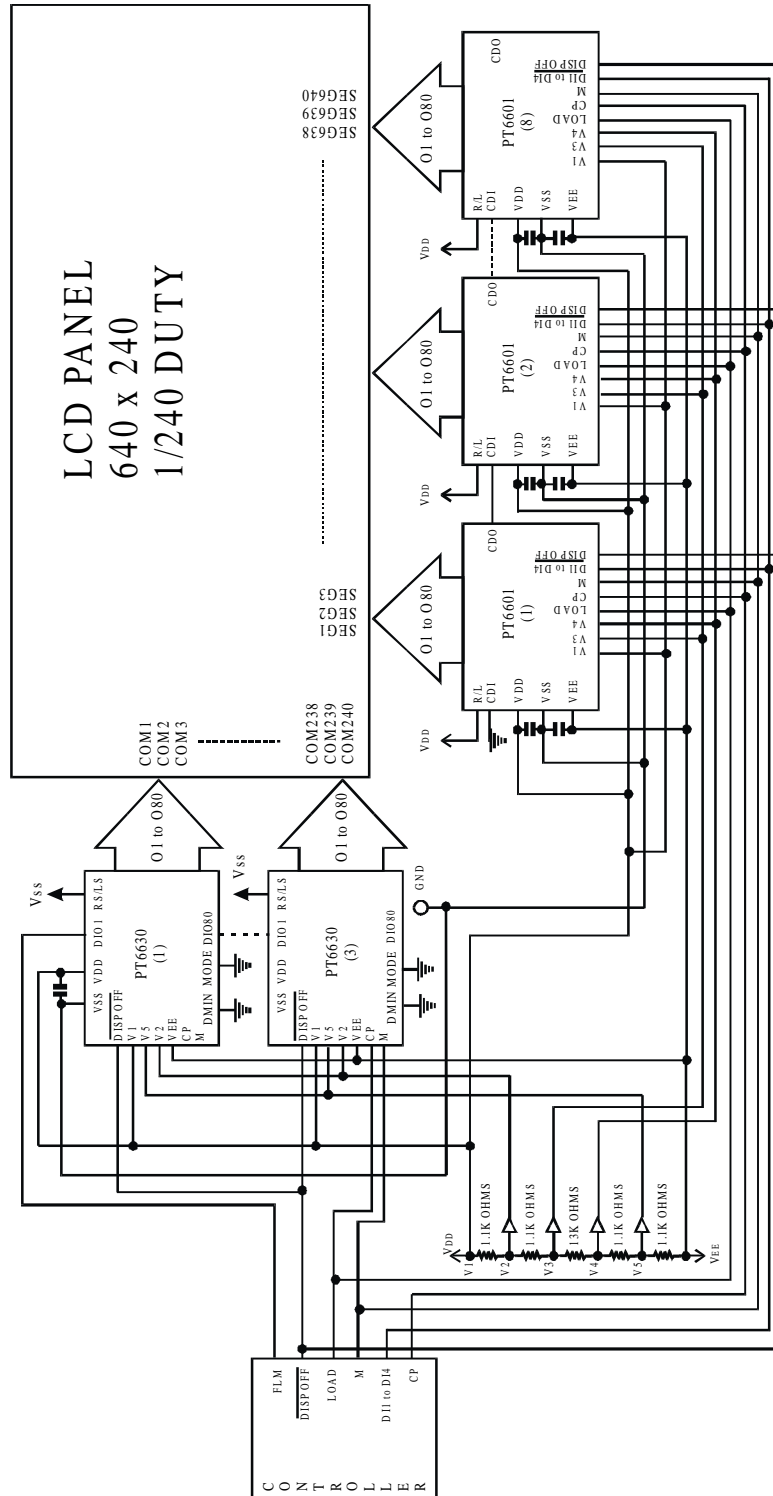




LCD Driver IC

PT6630

APPLICATION CIRCUIT



Note: VDD=5V, VEE=-20V, V1=5V, V2=3.4V, V3=1.5V, V4=-16.8V, V5=-18.4V



LCD Driver IC

PT6630

PAD CONFIGURATION

