

---

---

## Synchronous Signal Discriminator for Multi-Sync Display Monitor

---

---

PT 8501

## Description

PT 8501 is a frequency discriminator IC utilizing CMOS Technology specially designed for multi-sync display monitors. It supports a wide variety of display modes -- from VGA's 640 x 350 to work station's 1280 x 1024. By checking the frequency and/or polarity of the horizontal and/or vertical synchronous signals, PT 8501 can decide the proper display mode. It then drives the corresponding output pins from high impedance to low level. PT8501 also sends out negative polarity horizontal/vertical synchronous signals. PT8501's highly comprehensive features make it very reliable in performance.

## Features

- Supports VESA VGA (640 x 350 / 640 x 640 / 640 x 480)
- Supports IBM VGA (640 x 350 / 640 x 400 / 640 x 480)
- Supports IBM 8514/A (Interlace / Non-Interlaced)
- Supports VESA Super VGA
- Supports VESA New Super VGA
- Supports European Super VGA
- Supports VESA XGA (1024 x 768)
- Supports Work Station (1280 x 1024)
- The Open-Drain Output Pin can be pulled up to 14 Volts (with Pull-High Resistor)
- Supports User-Defined Special Display Mode/Frequency Discrimination

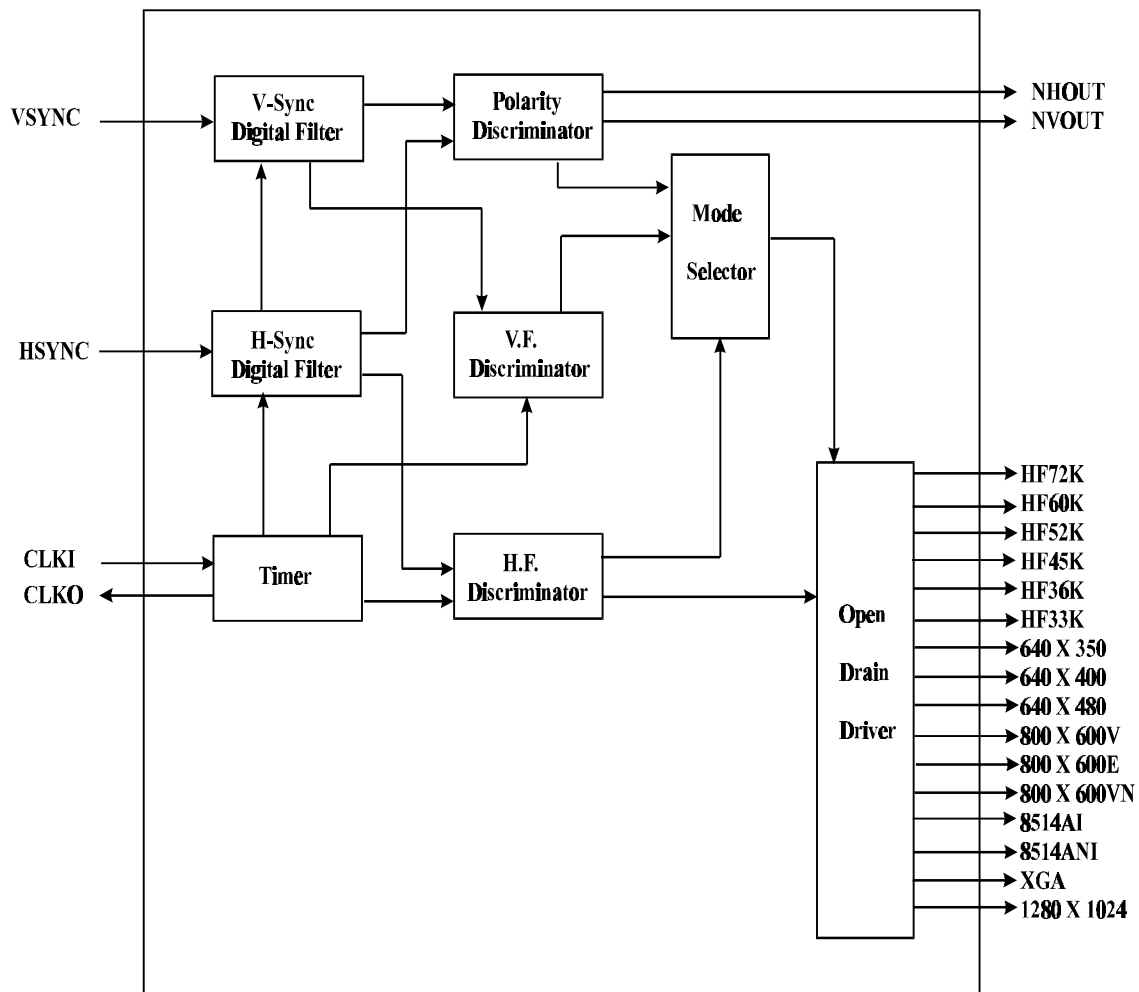
## Application

- Multi-Sync Display Monitor
- 
-

Synchronous Signal Discriminator  
 for Multi-Sync Display Monitor

PT 8501

# Block Diagram

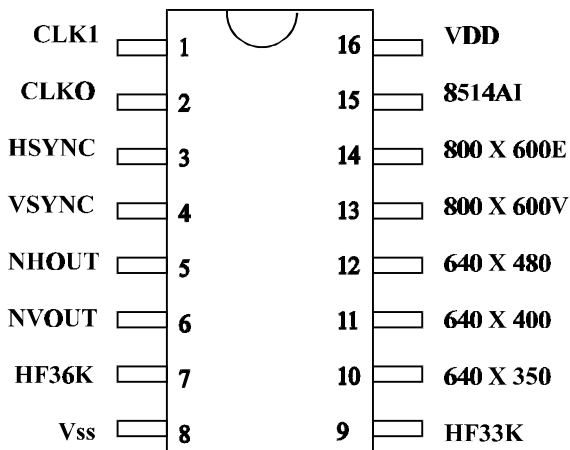


Synchronous Signal Discriminator  
 for Multi-Sync Display Monitor

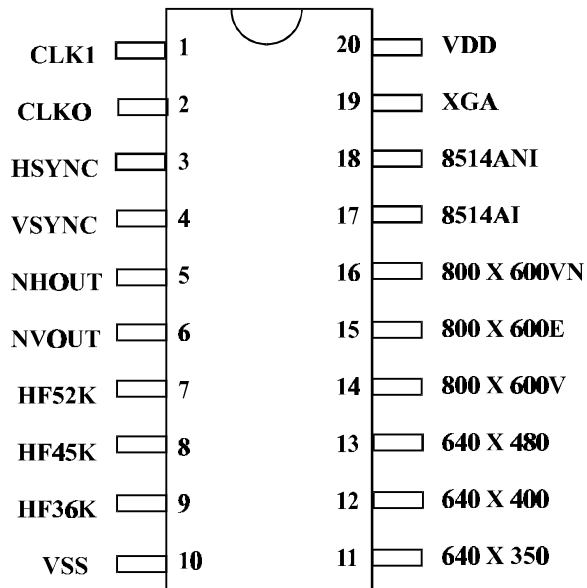
PT 8501

# Pin Configuration

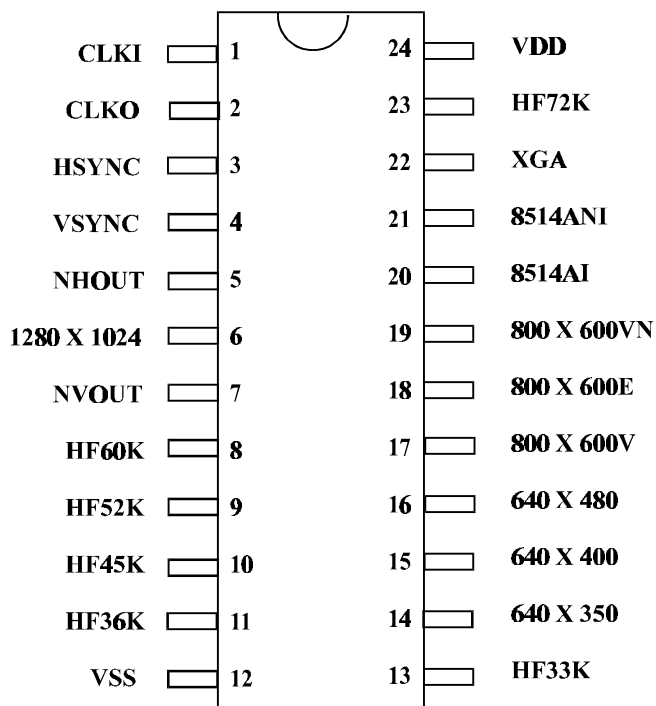
**PT8501P16**



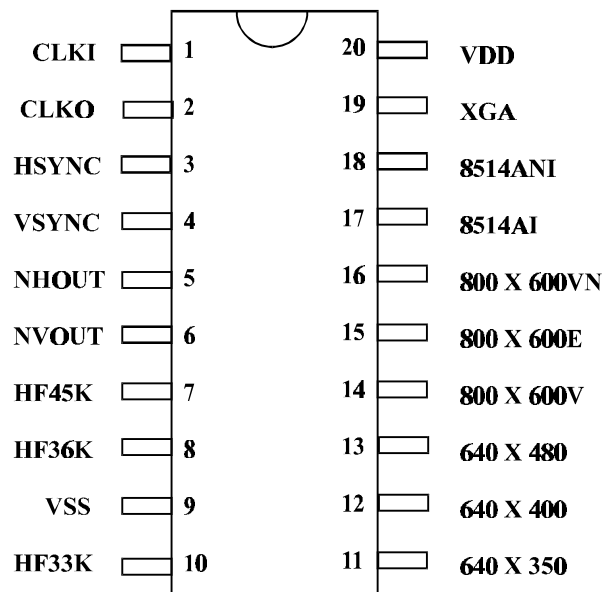
**PT8501P20**



**PT8501P24**



**PT8501P20A**



---

---

Synchronous Signal Discriminator  
for Multi-Sync Display Monitor

---

---

PT 8501

## Ordering Information

**PT 8501 X**

