



Output Expander

Preliminary

PT6999

DESCRIPTION

PT6999 is an output expander providing 12 bits of serial to parallel output. Pin Assignments and application circuit are optimized for easy PCB Layout and cost saving benefits.

FEATURES

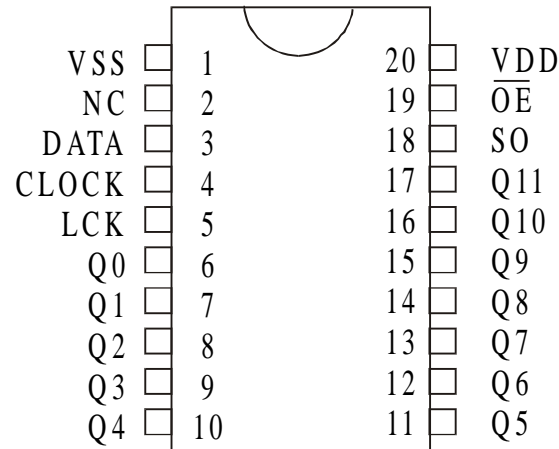
- Low Power Consumption
- N-Channel Open Drain Output: (Qx)
- High Output Withstanding Voltage (12V): (Qx)
- Serial Cascade
- Operating Voltage Range: 3.0 to 5.5 V
- Low Power Dissipation
- High Driving Capability

APPLICATIONS

- Radio Cassette Players
- Telephones
- Compact Audio System
- Car Stereo

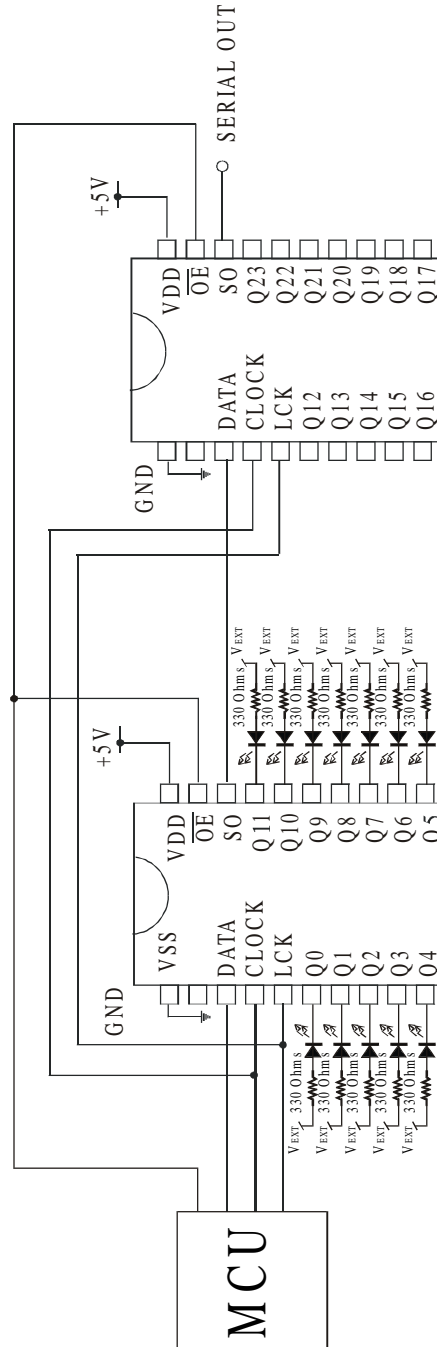


PIN CONFIGURATION





APPLICATION CIRCUIT



Note: VEXT = External Voltage