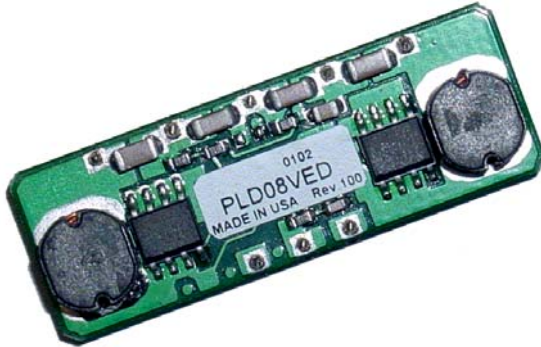


PLD08 Series – 8A Non-Isolated DC/DC Converter
5V, 3.3V Input
Dual Output
Features

- Surface mount configuration
- 1.56" by 0.55" low profile package
- Two independently regulated outputs
- Efficiency in excess of 90%
- 8A of combined output current at 65°C and 200LFM
- Flexible output load distribution
- Output overcurrent protection
- Remote ON/OFF
- Output voltage trim adjust for each output

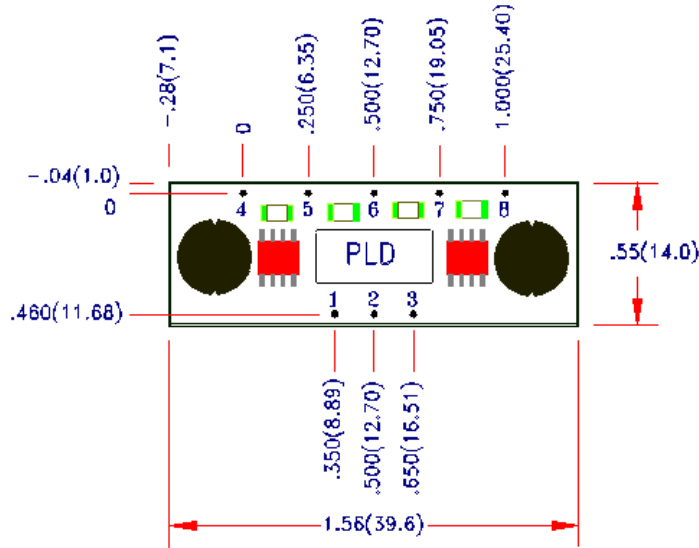

Description

The **PLD08** series converters are surface mount non-isolated dual output DC/DC converters. The products provide point of load conversion of a single 3.3V or 5V input voltage into two independently regulated low output voltages. Each output can provide up to 5A of output current, has independent feedback loop and independent trim function. Two power trains operate out of phase thus significantly reducing ripple current requirements and simplifying external filtering. High efficiency, low space requirements, and flexible loading characteristics make the converters an ideal choice for powering of multivoltage ASICs.

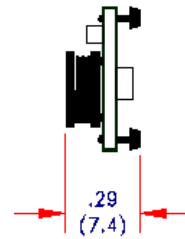
3.3V Input					5V Input				
3.3V input Model	Input voltage range, VDC	Vout1, VDC	Vout2, VDC	Eff. %	5V input Model	Input voltage range, VDC	Vout1, VDC	Vout2, VDC	Eff. %
PLD08UDD	3.15-3.6	2.5	2.5	92	PLD08VEE	4.5-5.5	3.3	3.3	93
PLD08UDC	3.15-3.6	2.5	2.0	91	PLD08VED	4.5-5.5	3.3	2.5	93
PLD08UDB	3.15-3.6	2.5	1.8	91	PLD08VEC	4.5-5.5	3.3	2.0	92
PLD08UDA	3.15-3.6	2.5	1.5	90	PLD08VEB	4.5-5.5	3.3	1.8	92
PLD08UDY	3.15-3.6	2.5	1.2	90	PLD08VEA	4.5-5.5	3.3	1.5	92
PLD08UCC	3.0-3.6	2.0	2.0	91	PLD08VEY	4.5-5.5	3.3	1.2	91
PLD08UCB	3.0-3.6	2.0	1.8	90	PLD08VDD	4.5-5.5	2.5	2.5	92
PLD08UCA	3.0-3.6	2.0	1.5	89	PLD08VDC	4.5-5.5	2.5	2.0	91
PLD08UCY	3.0-3.6	2.0	1.2	89	PLD08VDB	4.5-5.5	2.5	1.8	91
PLD08UBB	3.0-3.6	1.8	1.8	89	PLD08VDA	4.5-5.5	2.5	1.5	90
PLD08UBA	3.0-3.6	1.8	1.5	89	PLD08VDY	4.5-5.5	2.5	1.2	89
PLD08UBY	3.0-3.6	1.8	1.2	88	PLD08VCC	4.5-5.5	2.0	2.0	90
PLD08UAA	3.0-3.6	1.5	1.5	88	PLD08VCB	4.5-5.5	2.0	1.8	90
PLD08UAY	3.0-3.6	1.5	1.2	86	PLD08VCA	4.5-5.5	2.0	1.5	89
PLD08UYY	3.0-3.6	1.2	1.2	85	PLD08VCY	4.5-5.5	2.0	1.2	88
<p>Both outputs of the PLD08U and PLD08V can be loaded up to five (5) amps each.</p> <p>Note: The maximum combined output is eight (8) amps.</p>					PLD08VBB	4.5-5.5	1.8	1.8	89
					PLD08VBA	4.5-5.5	1.8	1.5	89
					PLD08VBY	4.5-5.5	1.8	1.2	88
					PLD08VAA	4.5-5.5	1.5	1.5	88
					PLD08VAY	4.5-5.5	1.5	1.2	86
					PLD08VYY	4.5-5.5	1.2	1.2	85

PLD08 Series – 8A Non-Isolated DC/DC Converter
5V, 3.3V Input
Dual Output

Mechanical Drawing *Dimensions shown in inches (millimeters)*



TOP VIEW



Pin	Function
1	Trim1
2	ON/OFF
3	Trim2
4	Vout1
5	GND
6	Vin
7	GND
8	Vout2

Tolerances:

.xx ± 0.020" (0.5mm)

.xxx ± 0.010" (0.25mm)

Notes

1. Consult factory for the complete list of available options.
2. Power-One products are not authorized for use as critical components in life support systems, equipment used in hazardous environments, or nuclear control systems without the express written consent of the President of Power-One, Inc.
3. Specifications are subject to change without notice.