

CM600DY-34H

HIGH POWER SWITCHING USE
INSULATED TYPE

HVIGBT (High Voltage Insulated Gate Bipolar Transistor) Modules

CM600DY-34H



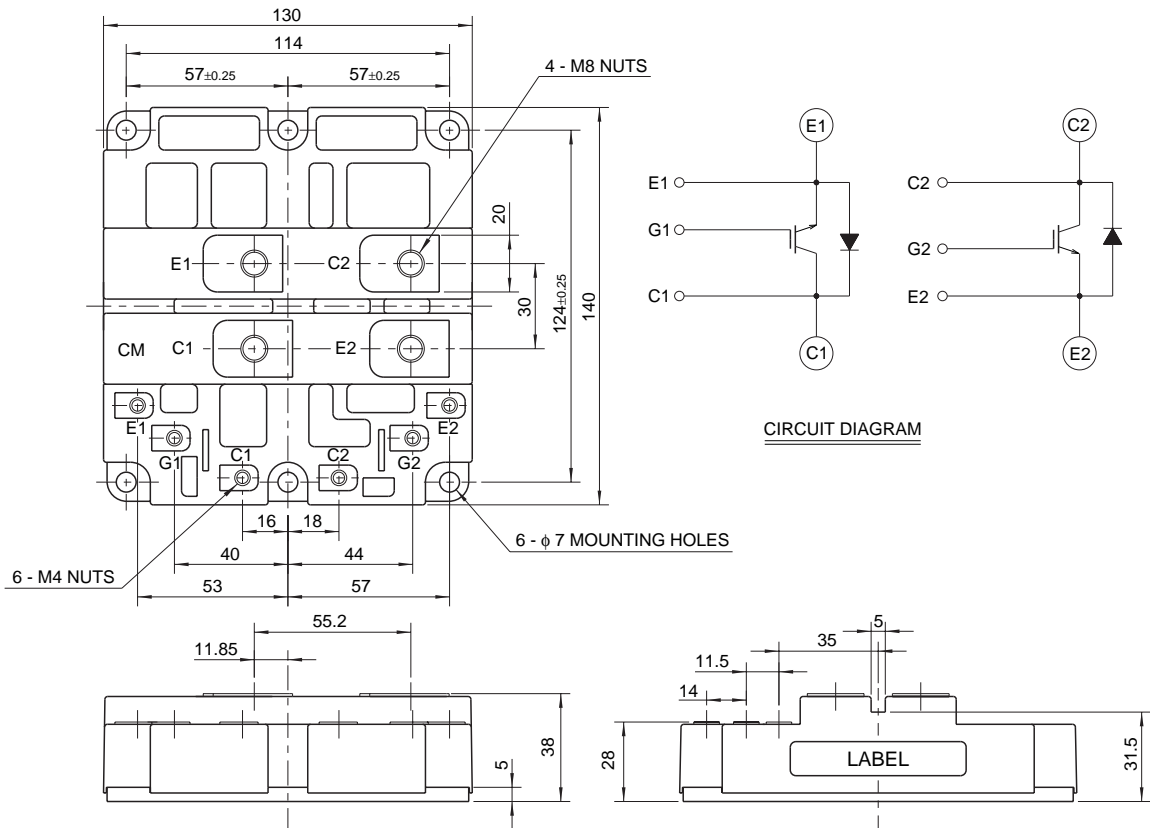
- IC 600A
- VCES 1700V
- Insulated Type
- 2-elements in a pack

APPLICATION

Inverters, Converters, DC choppers, Induction heating, DC to DC converters.

OUTLINE DRAWING & CIRCUIT DIAGRAM

Dimensions in mm



HVIGBT MODULES (High Voltage Insulated Gate Bipolar Transistor Modules)

CM600DY-34H

**HIGH POWER SWITCHING USE
INSULATED TYPE**

HVIGBT (High Voltage Insulated Gate Bipolar Transistor) Modules

MAXIMUM RATINGS (T_j = 25°C)

Symbol	Item	Conditions	Ratings	Unit
V _{CES}	Collector-emitter voltage	V _{GE} = 0V	1700	V
V _{GES}	Gate-emitter voltage	V _{CE} = 0V	±20	V
I _C	Collector current	T _C = 25°C	600	A
I _{CM}		Pulse (Note 1)	1200	A
I _E (Note 2)	Emitter current	T _C = 25°C	600	A
I _{EM} (Note 2)		Pulse (Note 1)	1200	A
P _C (Note 3)	Maximum collector dissipation	T _C = 25°C, IGBT part	6200	W
T _j	Junction temperature	—	-40 ~ +150	°C
T _{stg}	Storage temperature	—	-40 ~ +125	°C
V _{iso}	Isolation voltage	Charged part to base plate, rms, sinusoidal, AC 60Hz 1min.	4000	V
—	Mounting torque	Main terminals screw M8	6.67 ~ 13.00	N·m
		Mounting screw M6	2.84 ~ 6.00	N·m
		Auxiliary terminals screw M4	0.88 ~ 2.00	N·m
—	Mass	Typical value	1.5	kg

ELECTRICAL CHARACTERISTICS (T_j = 25°C)

Symbol	Item	Conditions	Limits			Unit
			Min	Typ	Max	
I _{CES}	Collector cutoff current	V _{CE} = V _{CES} , V _{GE} = 0V	—	—	12	mA
V _{GE(th)}	Gate-emitter threshold voltage	I _C = 60mA, V _{CE} = 10V	4.5	5.5	6.5	V
I _{GES}	Gate-leakage current	V _{GE} = V _{GES} , V _{CE} = 0V	—	—	0.5	µA
V _{CE(sat)}	Collector-emitter saturation voltage	T _j = 25°C	—	2.75	3.58	V
		T _j = 125°C	—	3.30	—	
C _{ies}	Input capacitance	V _{CE} = 10V V _{GE} = 0V	—	70	—	nF
C _{oes}	Output capacitance		—	10.0	—	nF
C _{res}	Reverse transfer capacitance		—	3.8	—	nF
Q _G	Total gate charge	V _{CC} = 850V, I _C = 600A, V _{GE} = 15V	—	3.3	—	µC
t _{d (on)}	Turn-on delay time	V _{CC} = 850V, I _C = 600A	—	—	1.20	µs
t _r	Turn-on rise time	V _{GE1} = V _{GE2} = 15V	—	—	1.50	µs
t _{d (off)}	Turn-off delay time	R _G = 3.3Ω	—	—	2.00	µs
t _f	Turn-off fall time	Resistive load switching operation	—	—	0.60	µs
V _{EC} (Note 2)	Emitter-collector voltage	I _E = 600A, V _{GE} = 0V	—	2.40	3.12	V
t _{rr} (Note 2)	Reverse recovery time	I _E = 600A	—	—	2.00	µs
Q _{rr} (Note 2)	Reverse recovery charge	die / dt = -1200A / µs	—	100	—	µC
R _{th(j-c)Q}	Thermal resistance	Junction to case, IGBT part (Per 1/2 module)	—	—	0.020	K/W
R _{th(j-c)R}		Junction to case, FWDi part (Per 1/2 module)	—	—	0.064	K/W
R _{th(c-f)}	Contact thermal resistance	Case to fin, conductive grease applied (Per 1/2 module)	—	0.016	—	K/W

- Note 1. Pulse width and repetition rate should be such that the device junction temp. (T_j) does not exceed T_{jmax} rating.
 2. I_E, V_{EC}, t_{rr}, Q_{rr} & die/dt represent characteristics of the anti-parallel, emitter to collector free-wheel diode.
 3. Junction temperature (T_j) should not increase beyond 150°C.
 4. Pulse width and repetition rate should be such as to cause negligible temperature rise.

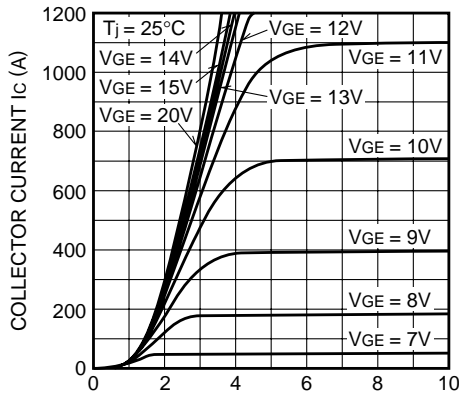
CM600DY-34H

HIGH POWER SWITCHING USE
INSULATED TYPE

HVIGBT (High Voltage Insulated Gate Bipolar Transistor) Modules

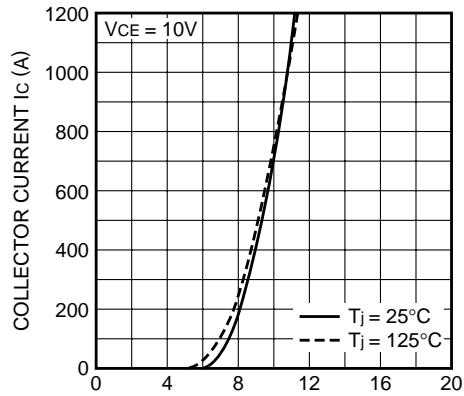
PERFORMANCE CURVES

OUTPUT CHARACTERISTICS (TYPICAL)



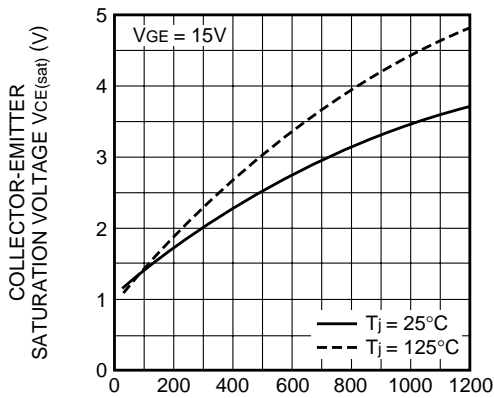
COLLECTOR-EMITTER SATURATION VOLTAGE $V_{ce(sat)}$ (V)

TRANSFER CHARACTERISTICS (TYPICAL)



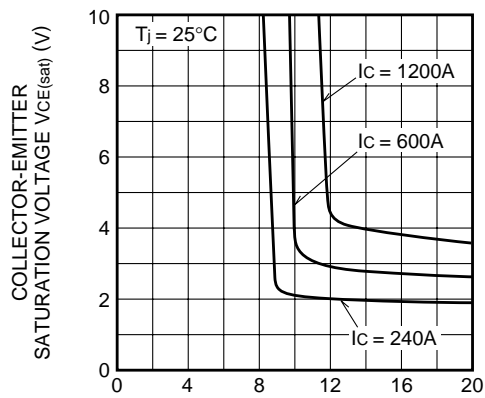
GATE-EMITTER VOLTAGE V_{GE} (V)

COLLECTOR-EMITTER SATURATION VOLTAGE CHARACTERISTICS (TYPICAL)



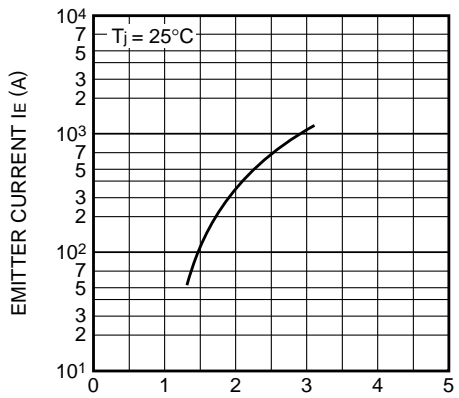
COLLECTOR CURRENT I_c (A)

COLLECTOR-EMITTER SATURATION VOLTAGE CHARACTERISTICS (TYPICAL)



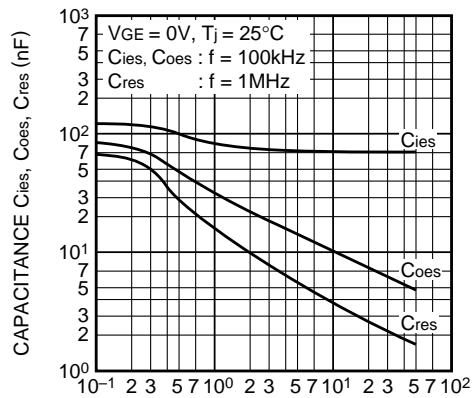
GATE-EMITTER VOLTAGE V_{GE} (V)

FREE-WHEEL DIODE FORWARD CHARACTERISTICS (TYPICAL)



EMITTER-COLLECTOR VOLTAGE V_{EC} (V)

CAPACITANCE VS. V_{CE} (TYPICAL)



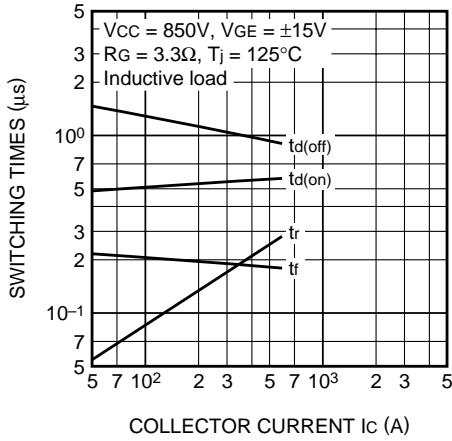
COLLECTOR-EMITTER VOLTAGE V_{CE} (V)

CM600DY-34H

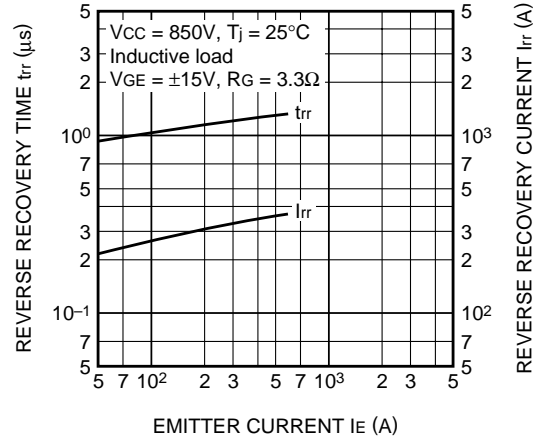
HIGH POWER SWITCHING USE
INSULATED TYPE

HVIGBT (High Voltage Insulated Gate Bipolar Transistor) Modules

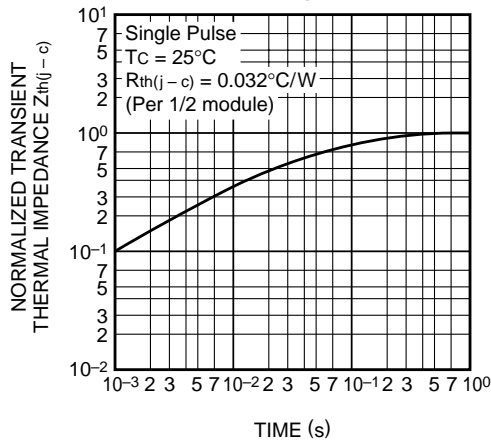
**HALF-BRIDGE
SWITCHING CHARACTERISTICS
(TYPICAL)**



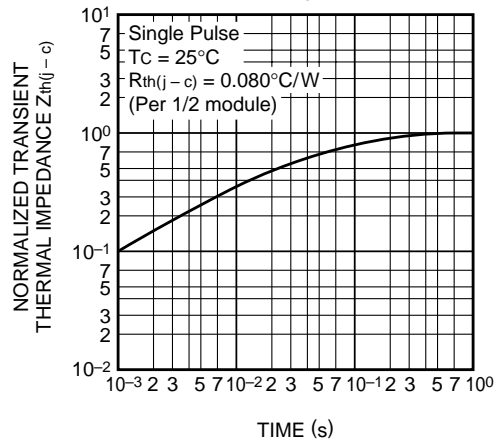
**REVERSE RECOVERY CHARACTERISTICS
OF FREE-WHEEL DIODE
(TYPICAL)**



**TRANSIENT THERMAL
IMPEDANCE CHARACTERISTICS
(IGBT part)**



**TRANSIENT THERMAL
IMPEDANCE CHARACTERISTICS
(FWDi part)**



**VGE - GATE CHARGE
(TYPICAL)**

