



V961PBC Rev. B2

LOCAL BUS TO PCI BRIDGE FOR MULTIPLEXED A/D PROCESSORS

- Glueless interface between Intel i960Jx, IBM PPC401Gx, processors and PCI bus
- Fully compliant with PCI 2.1 specification
- Configurable for primary master, bus master, or target operation
- Up to 1Kbyte burst access support on both local and PCI interface
- 576 bytes of programmable FIFO storage with *DYNAMIC BANDWIDTH ALLOCATION™*
- Two channel DMA controller
- Enhanced support for 8/16-bit local bus devices with programmable region size register
- 16 8-bit bi-directional mailbox registers with doorbell interrupts
- Dual bi-directional address space remapping
- On-the-fly byte order (endian) conversion
- Optional power on serial EEPROM initialization
- I₂O ATU and messaging unit including hardware controlled circular queues
- Flexible PCI and local interrupt management
- Support for real-mode DOS "holes"
- Ability to generate both Type 0 and Type 1 configuration cycles
- 33MHz and 40MHz local bus versions available with independent PCI operation up to 33MHz
- Low cost 160-pin EIAJ PQFP package

V961PBC provides the highest performance, most flexible, and most economical method to directly connect i960Jx or PPC401Gx processors to the PCI bus. V961PBC is also a suitable candidate for a variety of 32-bit multiplexed local bus applications based on Motorola, IBM, Intel embedded processors - where a minimal amount of glue logic is required. V961PBC may also be used in systems without a CPU for a generic PCI master/target interface.

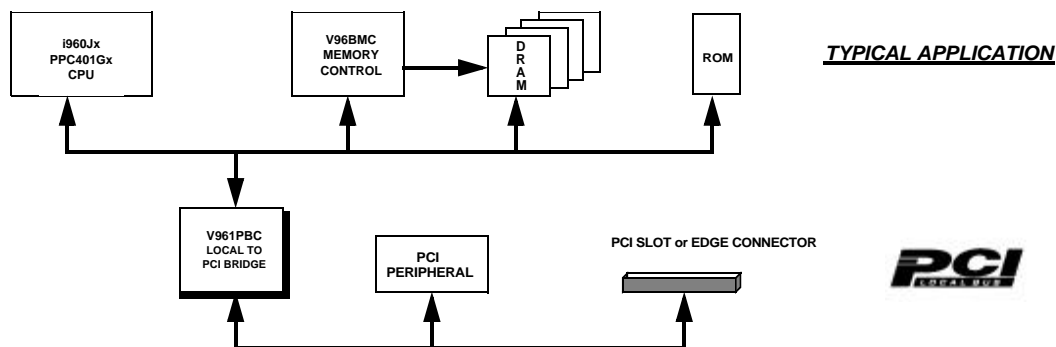
V961PBC Rev B2 is the first I₂O ready PCI bridge, fully backward compatible with V292PBC Rev B1. The PCI bus can be run at the full 33MHz frequency, independent of local bus clock rate. The overall throughput of the system is dramatically improved by increasing the FIFO depth and utilizing the unique *DYNAMIC*

BANDWIDTH ALLOCATION™ architecture.

Access to the PCI bus can be performed through two programmable address apertures. Two more apertures are provided for PCI-to-local bus accesses. There are 32-bytes of read FIFO's in each direction, 16-byte dedicated for each aperture. V961PBC also includes bi-directional remapping capabilities, and on-the-fly byte order conversion

Two DMA channels are provided for autonomous PCI-to-Local/Local-to-PCI transfers. Mailbox registers and flexible PCI interrupt controllers are also included to provide a simple mechanism to emulate PCI device control ports.

The part is available in 160-pin low cost EIAJ Plastic Quad Flat Pack (PQFP) package.



V961PBC

This document contains the product codes, pinouts, package mechanical information, DC characteristics, and AC characteristics for the V961PBC. Detailed functional information is contained in the User's Manual.

V3 Semiconductor retains the rights to change documentation, specifications, or device functionality at any time without notice. Please verify that you have the latest copy of all documents before finalizing a design.

1.0 Product Codes

Table 1: Product Codes

Product Code	Processor	Bus Type	Package	Frequency
V961PBC-33 REV B2	i960JA/JD/JF PPC401GF	32-bit multiplexed	160-pin EIAJ PQFP	33MHz
V961PBC-40 REV B2	i960JA/JD/JF PPC401GF	32-bit multiplexed	160-pin EIAJ PQFP	40MHz

2.0 Pin Description and Pinout

Table 2 below lists the pin types found on the V961PBC. Table 3 describes the function of each pin on the V961PBC. Table 5 lists the pins by pin number. Figure 1 shows the pinout for the 160-pin EIAJ PQFP package and Figure 2 shows the mechanical dimensions of the package.

Table 2: Pin Types

Pin Type	Description
PCI I	PCI input only pin.
PCI O	PCI output only pin.
PCI I/O	PCI tri-state I/O pin.
PCI I/OD	PCI input with open drain output.
I/O ₄	TTL I/O pin with 4mA output drive.
I	TTL input only pin.
O ₄	TTL output pin with 4mA output drive.

Table 3: Signal Descriptions

PCI Bus Interface			
Signal	Type	R ^a	Description
AD[31:0]	PCI I/O	Z	Address and data, multiplexed on the same pins.
$\overline{C/BE[3:0]}$	PCI I/O	Z	Bus Command and Byte Enables, multiplexed on the same pins.
PAR	PCI I/O	Z	Parity represents even parity across AD[31:0] and $\overline{C/BE[3:0]}$.
\overline{FRAME}	PCI I/O	Z	Cycle Frame indicates the beginning and burst length of an access.
\overline{IRDY}	PCI I/O	Z	Initiator Ready indicates the initiating agent's (bus master's) ability to complete the current data phase of the transaction.
\overline{TRDY}	PCI I/O	Z	Target Ready indicates the target agent's (selected device's) ability to complete the current data phase of the transaction.
\overline{STOP}	PCI I/O	Z	Stop indicates the current target is requesting the master to stop the current transaction (retry or disconnect).
\overline{DEVSEL}	PCI I/O	Z	Device Select, when actively driven by a target, indicates the driving device has decoded its address as the target of the current access. As an input to the initiator, DEVSEL indicates whether any device on the bus has been selected.
IDSEL	PCI I		Initialization Device Select is used as a chip select during configuration read and write transactions. It must be driven high in order to access the chip's internal configuration space.
\overline{REQ}	PCI O	H	Request indicates to the arbiter that this agent requests use of the bus.
\overline{GNT}	PCI I		Grant indicates to the agent that access to the bus has been granted.
PCLK	PCI I		PCLK provides timing for all transactions on the PCI bus.
\overline{PRST}	PCI I/O	Z/L	Acts as an input when RDIR is high, an output when RDIR is low. As an input it is asserted low to bring all internal PBC operation to a reset state.
\overline{PERR}	PCI I/O	Z	Parity Error is used to report data parity errors during all PCI transactions except a Special Cycle.
\overline{SERR}	PCI I/OD	Z	System Error is used to report address parity errors, data parity errors on the Special Cycle command, or any other system error where the result will be catastrophic.
INT[A:D]	PCI I/OD	Z	Level-sensitive interrupt requests may be received or generated.

Table 3: Signal Descriptions (cont'd)

Local Bus Interface			
Signal	Type	R	Description
LAD[31:0]	I/O4	Z	Local multiplexed address and data bus.
LA[5:2]	O4	Z	Lower local address bus. Generated during local bus master cycles and increments during a burst.
$\overline{\text{BE}}[3:0]$	I/O4	Z	Local bus byte enables.
$\overline{\text{W/R}}$	I/O4	Z	Write/Read.
ALE	I/O4	Z	Address Latch Enable: used to latch the address during the address phase.
$\overline{\text{ADS}}$	I/O4	Z	Asserted low to indicate the beginning of a bus cycle.
$\overline{\text{RDYRCV}}$	I/O4	Z	Local Bus data ready.
HOLD	O4	L	Local bus hold request: asserted by the chip to initiate a local bus master cycle.
HOLDA	I		Local bus hold acknowledge.
LPAR[3:0]	I/O4	Z	Local bus parity.
$\overline{\text{BLAST}}$	I/O4	Z	Burst last.
$\overline{\text{BTERM}}$	I/O4	Z	Bus Time-out. Burst terminate.
LINT	O4	H	Local interrupt request.
$\overline{\text{LRST}}$	I/O4	L/Z	Local bus RESET signal.
LCLK	I		Local bus clock.

Serial EEPROM Interface			
Signal	Type	R	Description
SCL/LPERR	O4	X	EEPROM clock. Local parity error.
SDA	I/O4	X	EEPROM data.

Configuration			
Signal	Type	R	Description
RDIR	I		Reset <u>direction</u> . Tie <u>low</u> to drive $\overline{\text{PRST}}$ out and $\overline{\text{LRST}}$ in, high to drive LRST out and PRST in.

Table 3: Signal Descriptions (cont'd)

Power and Ground Signals			
Signal	Type	R	Description
V _{CC}	-		POWER leads intended for external connection to a V _{CC} board plane.
GND	-		GROUND leads intended for external connection to a GND board plane.

a. R indicates state during reset.

2.1 Test Mode Pins

Several device pins are used during manufacturing test to put the V961PBC device into various test modes. **These pins must be maintained at proper levels during reset to insure proper operation.** This is typically handled through pull-up or pull-down resistors (typically 1K to 10K) on the signal pins if they are not guaranteed to be at the proper level during reset. Table 4 below shows the reset states for test mode pins:

Table 4: RESET State for Test Mode Pins

PIN#	134	135	153
Connection	Pull-Down	Pull-Up	Pull-Down

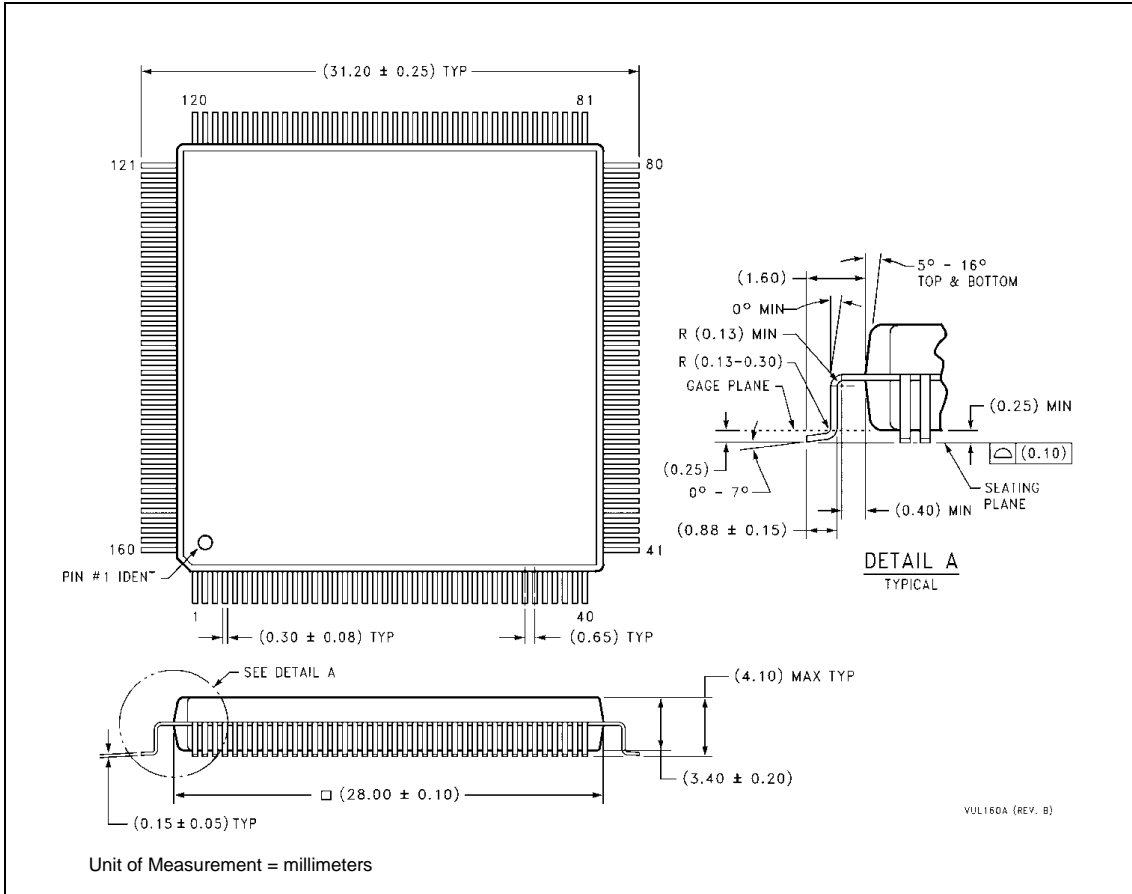
Table 5: Pin Assignments

PIN #	Signal	PIN #	Signal	PIN #	Signal	PIN #	Signal
1	V _{CC}	41	V _{CC}	81	V _{CC}	121	V _{CC}
2	$\overline{\text{INTD}}$	42	AD14	82	NC	122	NC
3	$\overline{\text{PRST}}$	43	AD13	83	LAD8	123	LAD25
4	PCLK	44	AD12	84	NC	124	LA5
5	$\overline{\text{GNT}}$	45	AD11	85	LAD9	125	LAD26
6	$\overline{\text{REQ}}$	46	AD10	86	NC	126	LA4
7	AD31	47	AD9	87	LAD10	127	LAD27
8	AD30	48	AD8	88	NC	128	LA3

Table 5: Pin Assignments (cont'd)

PIN #	Signal	PIN #	Signal	PIN #	Signal	PIN #	Signal
9	AD29	49	C/ $\overline{\text{BE0}}$	89	LAD11	129	LAD28
10	AD28	50	V _{CC}	90	NC	130	LA2
11	GND	51	GND	91	LAD12	131	LAD29
12	AD27	52	AD7	92	NC	132	LAD30
13	AD26	53	AD6	93	LAD13	133	LAD31
14	AD25	54	AD5	94	NC	134	ALE
15	AD24	55	AD4	95	LAD14	135	$\overline{\text{BTERM}}$
16	C/ $\overline{\text{BE3}}$	56	AD3	96	NC	136	$\overline{\text{RDYRCV}}$
17	IDSEL	57	AD2	97	LAD15	137	HOLD
18	AD23	58	AD1	98	NC	138	HOLDA
19	AD22	59	AD0	99	LAD16	139	$\overline{\text{ADS}}$
20	V _{CC}	60	V _{CC}	100	V _{CC}	140	V _{CC}
21	GND	61	GND	101	GND	141	GND
22	AD21	62	LAD0	102	NC	142	LCLK
23	AD20	63	NC	103	LAD17	143	GND
24	AD19	64	LAD1	104	NC	144	V _{CC}
25	AD18	65	NC	105	LAD18	145	$\overline{\text{BE3}}$
26	AD17	66	LAD2	106	NC	146	$\overline{\text{BE2}}$
27	AD16	67	NC	107	LAD19	147	$\overline{\text{BE1}}$
28	C/ $\overline{\text{BE2}}$	68	LAD3	108	NC	148	$\overline{\text{BE0}}$
29	$\overline{\text{FRAME}}$	69	NC	109	LAD20	149	$\overline{\text{BLAST}}$
30	GND	70	LAD4	110	NC	150	$\overline{\text{W/R}}$
31	$\overline{\text{IRDY}}$	71	NC	111	LAD21	151	RDIR
32	$\overline{\text{TRDY}}$	72	LAD5	112	NC	152	$\overline{\text{LRST}}$
33	$\overline{\text{DEVSEL}}$	73	NC	113	LAD22	153	'0'
34	$\overline{\text{STOP}}$	74	LAD6	114	NC	154	$\overline{\text{LINT}}$
35	$\overline{\text{PERR}}$	75	NC	115	LAD23	155	SDA

Figure 2: 160-pin EIAJ PQFP mechanical details



3.0 DC Specifications

The DC specifications for the PCI bus signals match exactly those given in the PCI Specification, Rev. 2.1, Section 4.2.1.1. For more information on the PCI DC specifications, see the PCI Specification.

Table 6: Absolute Maximum Ratings

Symbol	Parameter	Value	Units
V_{CC}	Supply voltage	-0.3 to +7	V
V_{IN}	DC input voltage	-0.3 to $V_{CC}+0.3$	V
I_{IN}	DC input current	± 10	mA
T_{STG}	Storage temperature range	-40 to +125	°C

Table 7: Guaranteed Operating Conditions

Symbol	Parameter	Value	Units
V_{CC}	Supply voltage	4.75 to 5.25	V
T_A	Ambient temperature range	0 to 70	°C

3.1 PCI Bus DC Specifications

Table 8: PCI Bus Signals DC Operating Specifications

Symbol	Parameter	Condition	Min	Max	Units	Notes
V_{IH}	Input high voltage		2.0	$V_{CC}+0.5$	V	
V_{IL}	Input low voltage		-0.5	0.8	V	
I_{IH}	Input high leakage current	$V_{IN} = 2.7V$		70	μA	1
I_{IL}	Input low leakage current	$V_{IN} = 0.5V$		-70	μA	1
V_{OH}	Output high voltage	$I_{OUT} = -2mA$	2.4		V	
V_{OL}	Output low voltage	$I_{OUT} = 3mA, 6mA$		0.55	V	2
C_{IN}	Input pin capacitance			10	pF	3
C_{CLK}	PCLK pin capacitance		5	12	pF	
C_{IDSEL}	IDSEL pin capacitance			8	pF	4
L_{PIN}	Pin inductance			20	nH	

V961PBC

Notes:

1. Input leakage currents include high impedance output leakage for all bi-directional buffers with tri-state outputs.
2. Signals without pull-up resistors have greater than 3mA low output current. Signals requiring pull resistors have greater than 6mA output current. The latter include FRAME, TRDY, IRDY, STOP, SERR, PERR.
3. Absolute maximum pin capacitance for a PCI unit is 10pF (except for CLK).
4. Lower capacitance on this input-only pin allows for non-resistive coupling to AD[xx].

3.2 Local Bus DC Specifications

Table 9: Local Bus Signals DC Operating Specifications

Symbol	Description	Conditions	Min	Max	Units
V _{IL}	Low level input voltage	V _{CC} = 4.75V		0.8	V
V _{IH}	High level input voltage	V _{CC} = 5.25V	2.0		V
I _{IL}	Low level input current	V _{IN} =GND, V _{CC} =5.25V	-10		μA
I _{IH}	High level input current	V _{IN} = V _{CC} = 5.25V		10	μA
V _{OL4}	Low level output voltage for 4 mA outputs and I/O pins	I _{OL} = -4 mA		0.4	V
V _{OH4}	High level output voltage for 4 mA outputs and I/O pins	I _{OH} = 4 mA	2.4		V
I _{OZL}	Low level float input leakage	V _{IN} = GND	-10		μA
I _{OZH}	High level float input leakage	V _{IN} = V _{CC}		10	μA
I _{CC} (max)	Maximum supply current	V _{CC} = 5.25V PCLK = LCLK = 33MHz		150	mA
I _{CC} (typ)	Typical supply current	V _{CC} = 5.0V PCLK = LCLK = 33MHz		120	mA
C _{IO}	Input and output capacitance			10	pF

4.0 AC Specifications

The AC specifications for the PCI bus signals match exactly those given in the PCI Specification, Rev. 2.1, Section 4.2.1.2. For more information on the PCI AC specifications, including the V/I curves for 5V signalling, see section 4.2.1.2 of Rev 2.1 PCI Specification.

4.1 PCI Bus Timings

Table 10: PCI Bus Signals AC Operating Specifications

Symbol	Parameter	Condition	Min	Max	Units	Notes
$I_{OH(AC)}$	Switching current high	$0V < V_{OUT} \leq 1.4V$	-44		mA	1
		$1.4V < V_{OUT} < 2.4V$	$-44 + (V_{OUT} - 1.4)/0.024$	Equation A	mA	1, 2, 3
	(Test point)	$V_{OUT} = 3.1V$		-142	mA	3
$I_{OL(AC)}$	Switching current low	$V_{OUT} \geq 2.2V$	95		mA	1
		$2.2V > V_{OUT} > 0.55$	$V_{OUT}/0.023$	Equation B	mA	1, 3
	(Test point)	$V_{OUT} = 0.71$		206	mA	3
I_{CL}	Low clamp current	$-5 < V_{IN} \leq -1$	$-25 + (V_{IN} + 1)/0.015$		mA	
t_R	Unloaded output rise time	0.4V to 2.4V	1	5	V/ns	4
t_F	Unloaded output fall time	2.4V to 0.4V	1	5	V/ns	4

Notes:

1. Refer to the V/I curves in Section 4.2.1 of the PCI Specification. This specification does not apply to CLK and RST which are system outputs. "Switching Current High" specifications are not relevant to open drain outputs such as SERR and INTA-INTD.

2. Note that this segment of the minimum current curve is drawn from the AC drive point directly to the DC drive point rather than toward the voltage rail (as it does in the pull-down curve). This difference is intended to allow for an optional N-channel pull-up.

3. Maximum current requirements are met as drivers pull beyond the first step voltage (AC drive point). Equations defining these maximums (A and B) are provided with the respective V/I curves given in the PCI Spec. The equation defined maxima is met by design.

4. The minimum slew rate (slowest signal edge) is met by the PCI drivers. The maximum slew rate (fastest signal edge) is a guideline. Motherboard designers must bear in mind that rise and fall times faster than this maximum guideline could occur, and should ensure that signal integrity modeling accounts for this.

$$\text{Equation A: } I_{OH} = 11.9 \cdot (V_{OUT} - 5.25V) \cdot (V_{OUT} + 2.45V) \text{ for } V_{CC} > V_{OUT} > 3.1V$$

$$\text{Equation B: } I_{OL} = 78.5 \cdot V_{OUT}(4.4V - V_{OUT}) \text{ for } 0V < V_{OUT} < 0.71V$$

V961PBC

4.2 Local Bus Timings

Table 11: i960Jx Local Bus AC Test Conditions

Symbol	Parameter	Limits	Units
V_{CC}	Supply voltage	4.75 to 5.25	V
V_{IN}	Input low and high voltages	0.4 and 2.0	V
C_{OUT}	Capacitive load on output and I/O pins	50	pF

Table 12: Capacitive Derating for Output and I/O Pins

Output Drive Limit	Derating
4mA	0.058 ns/pF for loads > 50pF

Figure 3: Clock and Synchronous Signals

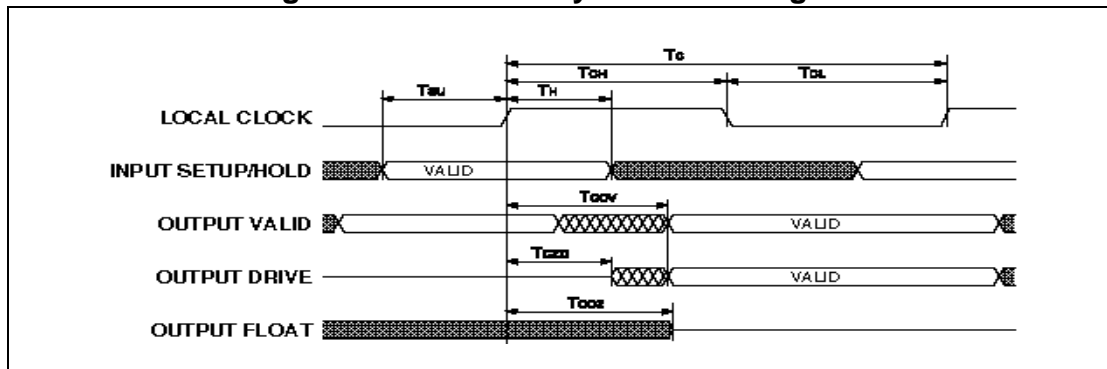


Figure 4: ALE Signal

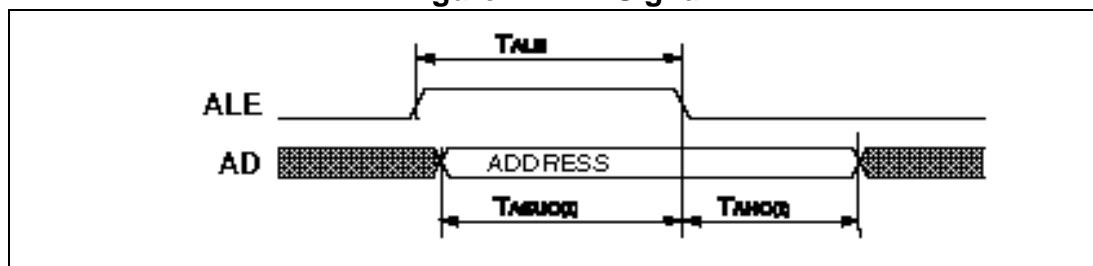


Table 13: Local Bus Timing Parameters for Vcc = 5 Volts +/- 5%

				33MHz		40MHz			
#	Symbol	Description	Notes	Min	Max	Min	Max	Units	
1	T _C	LCLK period		30		25		ns	
2	T _{CH}	LCLK high time	1	12		11		ns	
3	T _{CL}	LCLK low time	1	12		11		ns	
4	T _{SU}	Synchronous input setup	2	7		6		ns	
4a	T _{SU}	Synchronous input setup ($\overline{\text{BLAST}}$)		8		7		ns	
4b	T _{SU}	Synchronous input setup ($\overline{\text{W/R}}$, $\overline{\text{BTERM}}$)		4		4		ns	
4c	T _{SU}	Synchronous input setup ($\overline{\text{ADS}}$)		6		5		ns	
4d	T _{SU}	Synchronous input setup (address, data, byte enables)		9		8		ns	
4e	T _{SU}	Synchronous input setup for read data when in local bus master mode		5		5		ns	
5	T _H	Synchronous input hold			2		2	ns	
6	T _{COV}	LCLK to output valid delay	3	3	14	3	12	ns	
6a	T _{COV}	LCLK to output valid delay (address, data, byte enable, parity)		3	15	3	14	ns	
7	T _{CZO}	LCLK to output driving delay		3	15	3	14	ns	
8	T _{COZ}	LCLK to high impedance delay	4	3	15	3	14	ns	
9	T _{RST}	Reset period when LRST used as input		16·T _C		16·T _C		ns	

Notes:

1. Measured at 1.5V.
2. All local bus signals except those in 4a, 4b, 4c, 4d and 4e.
3. All local bus signals except those in 6a.
4. RDYRCV, BLAST, ADS are driven to high impedance at the falling edge of LCLK.

Table 14: ALE Timing Parameters for Vcc = 5 Volts +/- 5%

				33MHz		40MHz			
#	Symbol	Description		Min	Max	Min	Max	Units	
1	T _{ALE}	ALE Pulse Width		T _{CH-4}		T _{CH-4}		ns	
2	T _{ASUO}	Address setup to ALE falling (ALE as output)		T _{CH-5}		T _{CH-4}		ns	

Table 14: ALE Timing Parameters for Vcc = 5 Volts +/- 5%

3	T_{AHO}	Address hold from ALE falling (ALE as output)	T_{CL-5}		T_{CL-4}		ns
4	T_{ASUI}	Address setup to ALE falling (ALE as input)	5		5		ns
5	T_{AHI}	Address hold from ALE falling (ALE as input)	5		5		ns

Table 15: PCI Bus Timing Parameters for Vcc = 5 Volts +/- 5%

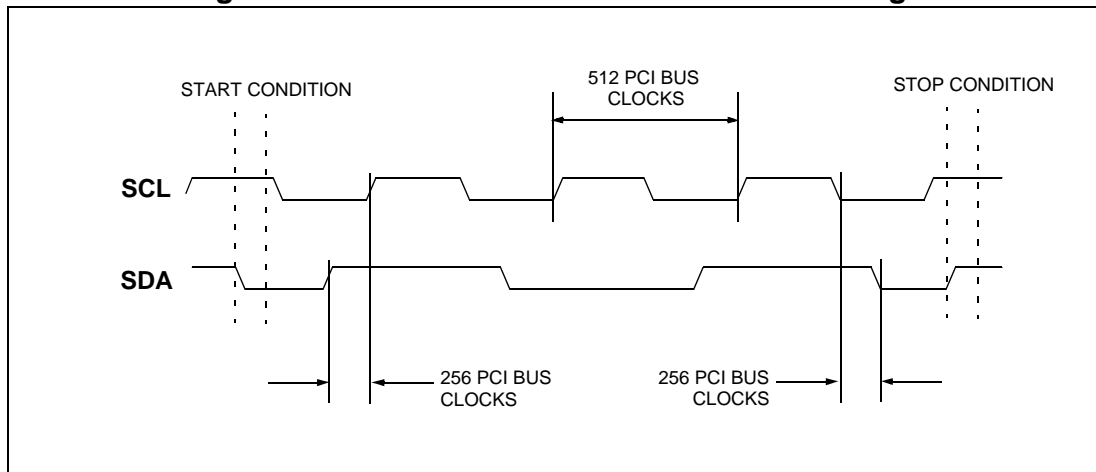
#	Symbol	Description	Notes	Min	Max	Units
1	T_C	PCLK period		30		ns
2	T_{SU}	Synchronous input setup to PCLK	1	7		ns
2a	T_{SU}	Synchronous input setup to PCLK (\overline{GNT})		10		ns
3	T_H	Synchronous input hold from PCLK		0		ns
4	T_{COV}	PCLK to output valid delay	2	3	11	ns
4a	T_{COV}	PCLK to output valid delay (\overline{REQ})		4	12	ns
5	T_{CZO}	PCLK to output driving delay		4	11	ns
6	T_{COZ}	PCLK to high impedance delay		5	18	ns
7	T_{RST}	Reset period when PRST used as input		$16 \cdot T_C$		

Notes:

1. All PCI bus signals except those in 2a.
2. All PCI bus signals except those in 4a.

4.3 Serial EEPROM Port Timings

The clock for the serial EEPROM interface is derived by dividing the PCI bus clock. The waveforms generated are shown in Figure 5.

Figure 5: Serial EEPROM Waveforms and Timings

5.0 Revision History

Table 16: Revision History

Revision Number	Date	Comments and Changes
2.4	5/98	Data sheet update of B2-step values
2.3	10/96	Data Book revision. 1. In Table 3, changed "LPA[3:0]" to "LPA[3:0]".
2.2	06/96	1. In Table 3, changed "PERR I/OD" to "PERR I/O". 2. In Table 3, added "V _{CC} " and "GND" description. 3. In Table 13 and 14, added min T _{COV} and min T _{CZO} timing.
2.1	03/96	1. Updated timings to final B1-step values. 2. Simplified data sheet format.
2.0	11/95	Removed operational description (found in User's Manual). Device related changes: 1. LA5, LA4, LA3, LA2 pins added to pinout for V960PBC and V961PBC. 2. Changed references to PCI 2.0 to PCI 2.1 spec level compliance. 3. Updated timings to final B0-step values. 4. Added new T _{CZO} timing. 5. Added test mode pin description.

Table 16: Revision History (cont'd)

Revision Number	Date	Comments and Changes
1.3	4/95	<ol style="list-style-type: none"> 1. In Table 1, changed Draining Strategy to "3 or more words" from "4 or more writes". 2. In Table 3, changed Base Address 3 to Unimplemented. 3. In Table 5, changed "PAR" to "PAR". 4. In Table 6, changed "SCL" to "SCL/PERR". 5. In Table 6, changed SDA to "I/O₄" from "O₄". 6. In Table 6, changed ROMCSx, LREQ, and ADS to "I/O₄" from "O₄" (device dependent). 7. In Table 6, changed GREQ, LBREQ, and HOLD to "O₄" from "I/O₄" (device dependent). 8. In Table 6, changed BURST and BLAST to "I/O₄" from "O₄" (device dependent). 9. In Table 6, changed ERR and BTERM to "I/O₄" from "O₄" (device dependent). 10. In Table 14, added timings for 16MHz and 40MHz (device dependent).
1.2	3/95	First released version of the data sheet. Some changes to AC and DC specifications and to waveforms. All future changes to the data sheet will be documented in detail in this section.
1.1	2/95	Clean pinouts. Some DC and AC specs. Sent only to a limited number of customers.
1.0	1/95	First pre-silicon revision of preliminary data sheet. DC and AC specs TBD. Sent only to a limited number of customers.



USA:
 2348G Walsh Ave.
 Santa Clara CA 95051
 Phone: (408)988-1050 Fax: (408)988-2601
 Toll Free: (800)488-8410 (Canada and U.S. only)
 World Wide Web: <http://www.vcubed.com>