

ECONOLINE - DC/DC-Converter

REC2.2-DRI Series, 2.2 Watt, DIP24, Regulated, Isolated Outputs (Dual Output)

RECOM

Features

- 500VDC Isolation
- Dual In-Line Package
- Up to 2.2W Regulated Output Power
- 100% Burned In
- Isolated Outputs
- UL94V-0 Package Material
- Regulated

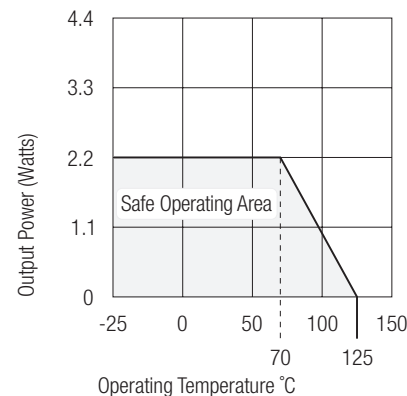


Selection Guide

Part Number DIP24	Input Voltage (VDC)	Output Voltage (V1VDC)	Output Voltage (V2VDC)	Output Current (mA)	Efficiency (%)
REC2.2-XX05DRI	5, 12, 24	5	5	200/200	56
REC2.2-XX12DRI	5, 12, 24	12	12	90/90	60
REC2.2-XX15DRI	5, 12, 24	15	15	75/75	62
REC2.2-XX24DRI	5, 12, 24	24	24	46/46	62

Specifications (Core Operating Area) and Operating Temperature / Derating-Graph

Input Voltage	±10%
Output Accuracy	±5%
Line Voltage Regulation	±0.5%
Output Power	2.2 Watt max.
Load Voltage Regulation (10% - 100% Full Load)	±0.5%
Ripple and Noise (20MHz limited)	100mVp-p max.
Efficiency at Full Load	50% min.
Isolation Voltage	500VDC min.
Isolation Resistance (Viso = 500VDC)	10 GΩ min.
Isolation Capacitance	100pF min./190pF max.
Short Circuit Protection	Short Term
Switching Frequency at Full Load	35kHz min. / 85kHz max.
Operating Temperature	-25°C to +70°C (see Graph)
Storage Temperature	-55°C to +125°C
Package Weight	12.3g



ECONOLINE - DC/DC-Converter

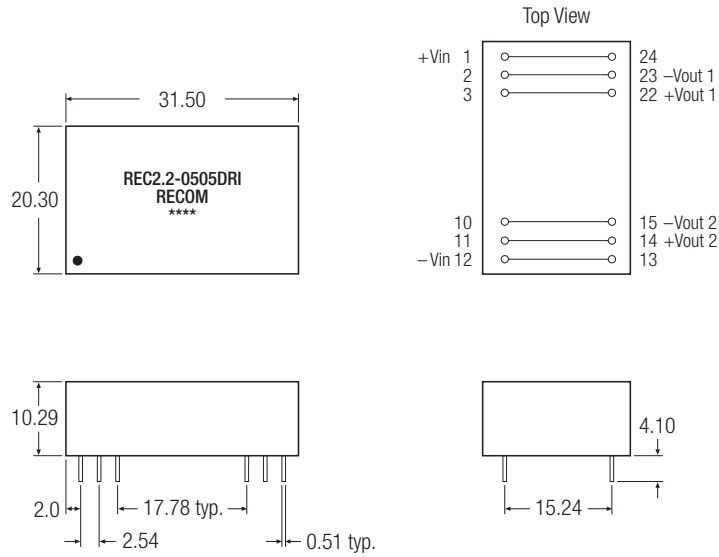
REC2.2-DRI Series, 2.2 Watt, DIP24, Regulated, Isolated Outputs (Dual Output)

RECOM

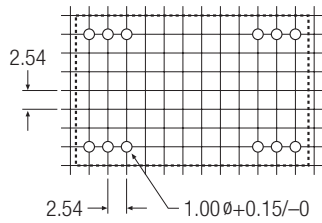
Package Style and Pinning (mm)

24 PIN DIP Package

3rd angle projection 



Recommended Footprint Details



XX.X ± 0.5 mm
XX.XX ± 0.25 mm