

ECONOLINE - DC/DC-Converter

RECOM

REC2.2-SRW Series, 2.2W, DIP24, Regulated, Wide Input Range 2:1 (Single Output)



Features

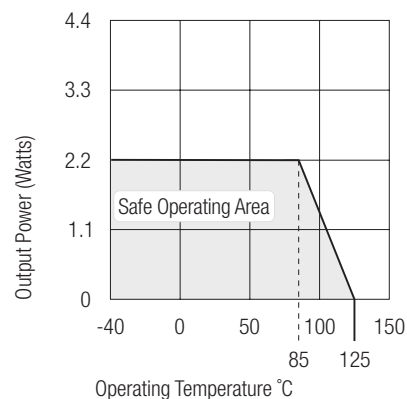
- 2.2W DIP Package
- Short Circuit Protection
- Cost Effective
- No Extern. Components Required
- Regulated Output
- Typical Efficiency 75%
- 100% Burned In
- Industry Standard Package
- UL94V-0 Package Material

Selection Guide

Part Number DIP24	Input Voltage (VDC)	Output Voltage (VDC)	Output Current (mA)	Efficiency (%)
REC2.2-1205SRW	9 - 18	5	440	75
REC2.2-1212SRW	9 - 18	12	183	77
REC2.2-1215SRW	9 - 18	15	147	80
REC2.2-1224SRW	9 - 18	24	92	82
REC2.2-2405SRW	18 - 36	5	440	79
REC2.2-2412SRW	18 - 36	12	183	83
REC2.2-2415SRW	18 - 36	15	147	83
REC2.2-2424SRW	18 - 36	24	92	82
REC2.2-4805SRW	36 - 72	5	440	78
REC2.2-4812SRW	36 - 72	12	183	83
REC2.2-4815SRW	36 - 72	15	147	83
REC2.2-4824SRW	36 - 72	24	92	82

Specifications (Core Operating Area) and Operating Temperature / Derating-Graph

Input Voltage	Selection Table
Output Accuracy	±1% typ.
Line Voltage Regulation (10% - 100% Full Load)	±0.1% typ.
Output Power	2.2 Watt max.
Load Voltage Regulation (10% - 100% Full Load)	±0.2% typ.
Ripple and Noise (20MHz limited)	50mVp-p max.
Efficiency at Full Load	up to 83%
Isolation Voltage	1000VDC min.
Short Circuit Protection	Continuous
Switching Frequency at Full Load	85kHz min.
Operating Temperature	-40°C to +85°C (see Graph)
Storage Temperature	-55°C to +125°C



ECONOLINE - DC/DC-Converter

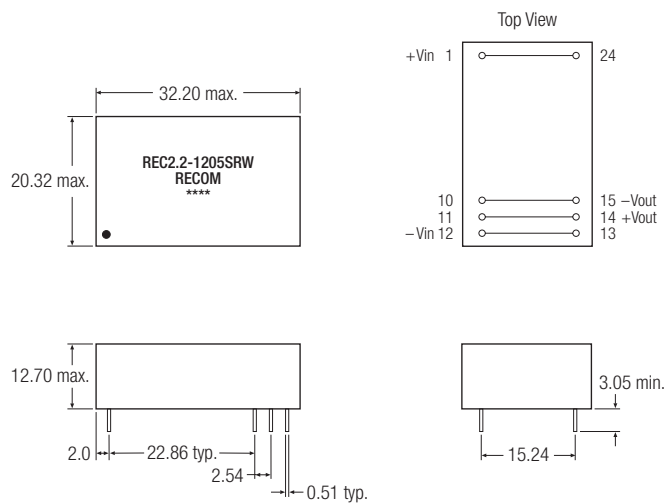
REC2.2-SRW Series, 2.2W, DIP24, Regulated, Wide Input Range 2:1 (Single Output)

RECOM

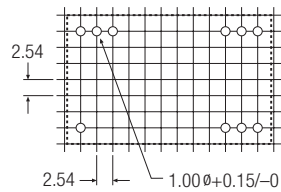
Package Style and Pinning (mm)

24 PIN DIP Package

3rd angle projection 



Recommended Footprint Details



XX.X ± 0.5 mm
XX.XX ± 0.25 mm