

# ECONOLINE - DC/DC-Converter

RSD-xxxxDH Series, 1 Watt, 3kVDC Isolation, SMD (Dual Output)



# RECOM

## Selection Guide

Part Number SMD	Input Voltage (VDC)	Output Voltage (VDC)	Output Current (mA)	Efficiency (%)
RSD-XX1.8DH	1.8, 3.3, 5, 9, 12, 15, 24	±1.8	±278	70
RSD-XX3.3DH	1.8, 3.3, 5, 9, 12, 15, 24	±3.3	±152	70
RSD-XX05DH	1.8, 3.3, 5, 9, 12, 15, 24	±5	±100	70
RSD-XX09DH	1.8, 3.3, 5, 9, 12, 15, 24	±9	±56	78
RSD-XX12DH	1.8, 3.3, 5, 9, 12, 15, 24	±12	±42	80
RSD-XX15DH	1.8, 3.3, 5, 9, 12, 15, 24	±15	±33	82
RSD-XX24DH	1.8, 3.3, 5, 9, 12, 15, 24	±24	±21	82

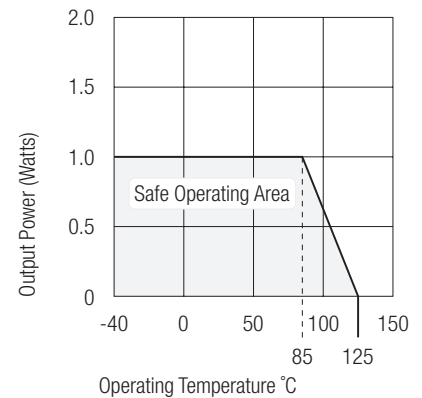


## Features

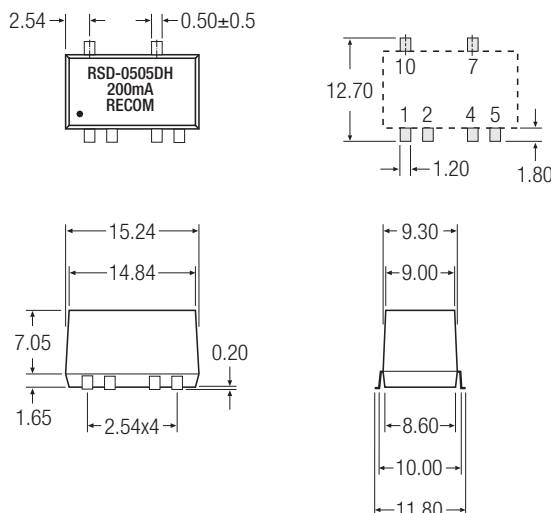
- 3kVDC Isolation
- Efficiency to 70%
- UL 94V-0 Package Material
- Toroidal Magnetics
- Internal SMD Construction

## Specifications (Core Operating Area) and Operating Temperature / Derating-Graph

Input Voltage	±10%	
Output Voltage (at Vin = 5VDC, Io = full load)	±5%	
Line Voltage Regulation	1,2% typ./1% of Vin	
Load Voltage Regulation (10% to 100% full load)	1.8V, 3.3V output types 5V output type 9V, 12V, 15V, 24V output types	20% max. 15% max. 10% max.
Ripple and Noise (20MHz BW)	±100mVp-p max.	
Efficiency at Full Load	70% min.	
Operating Frequency	50kHz min.	
Isolation Voltage	3.000VDC min.	
Short Circuit Protection	1 Second	
Operating Temperature	-40°C to +85°C* (see Graph)	
Storage Temperature	-55°C to +125°	



## Package Style and Pinning (mm)



3rd angle projection

### Pin Connections

Pin #	Dual
1	-Vin
2	+Vin
4	Com
5	-Vout
7	+Vout
10	NC
NC = No Connection	

XX.X ± 0.5 mm  
XX.XX ± 0.25 mm