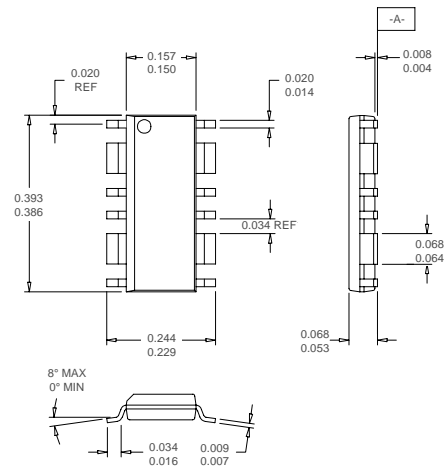


### Typical Applications

- CATV Distribution Amplifiers
- Cable Modems
- Broadband Gain Blocks
- Laser Diode Driver
- Return Channel Amplifier
- Base Stations

### Product Description

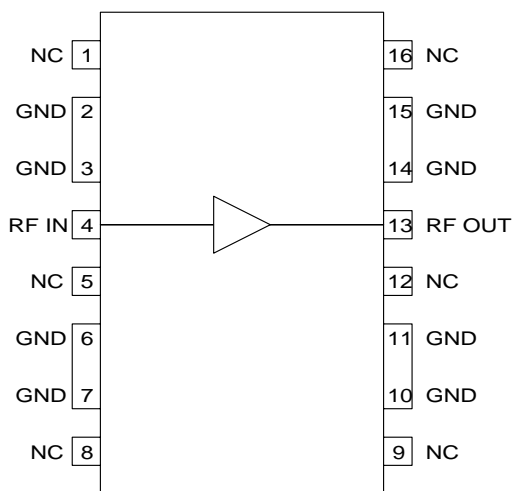
The RF2317 is a general purpose, low-cost high-linearity RF amplifier IC. The device is manufactured on an advanced Gallium Arsenide Heterojunction Bipolar Transistor (HBT) process, and has been designed for use as an easily cascadable 75Ω gain block. The gain flatness of better than ±0.5dB from 50MHz to 1000MHz, and the high linearity, make this part ideal for cable TV applications. Other applications include IF and RF amplification in wireless voice and data communication products operating in frequency bands up to 3GHz. The device is self-contained with 75Ω input and output impedances and requires only two external DC biasing elements to operate as specified.



### Optimum Technology Matching® Applied

- Si BJT       GaAs HBT       GaAs MESFET  
 Si Bi-CMOS       SiGe HBT       Si CMOS

Package Style: CJ2BAT0



Functional Block Diagram

### Features

- DC to 3.0GHz Operation
- Internally Matched Input and Output
- 15dB Small Signal Gain
- 4.9dB Noise Figure
- +26dBm Output Power
- Single 9V to 12V Power Supply

### Ordering Information

RF2317	Linear CATV Amplifier
RF2317 PCBA	Fully Assembled Evaluation Board - 50Ω
RF2317 PCBA	Fully Assembled Evaluation Board - 75Ω

RF Micro Devices, Inc.  
7625 Thorndike Road  
Greensboro, NC 27409, USA

Tel (336) 664 1233  
Fax (336) 664 0454  
<http://www.rfmd.com>

# RF2317

## Absolute Maximum Ratings

Parameter	Rating	Unit
Device Current	250	mA
Input RF Power	+18	dBm
Output Load VSWR	20:1	
Ambient Operating Temperature	-40 to +85	°C
Storage Temperature	-40 to +150	°C



**Caution!** ESD sensitive device.

RF Micro Devices believes the furnished information is correct and accurate at the time of this printing. However, RF Micro Devices reserves the right to make changes to its products without notice. RF Micro Devices does not assume responsibility for the use of the described product(s).

3

LINEAR CATV  
AMPLIFIERS

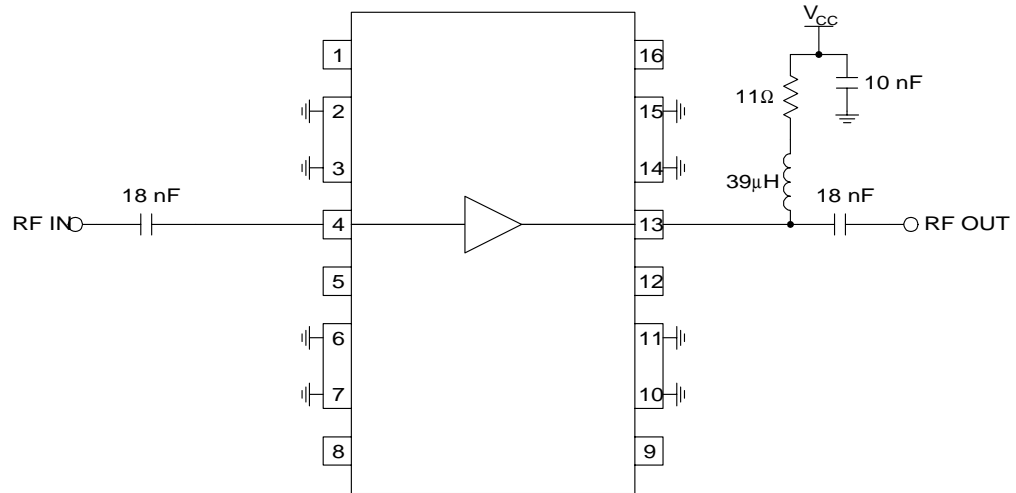
Parameter	Specification			Unit	Condition
	Min.	Typ.	Max.		
<b>Overall (50Ω)</b>					T=25 °C, I <sub>CC</sub> =180mA, R <sub>C</sub> =11Ω, 50Ω System 3dB Bandwidth
Frequency Range	DC		3000	MHz	
Gain	13.5	14.5	15.0	dB	
Noise Figure		4.9		dB	From 100MHz to 1000MHz
Input VSWR		1.7			Appropriate values for the DC blocking capacitors and bias inductor are required to maintain this VSWR at the intended operating frequency range.
Output VSWR		2.2			Appropriate values for the DC blocking capacitors and bias inductor are required to maintain this VSWR at the intended operating frequency range.
Output IP <sub>3</sub>		+42		dBm	At 100MHz
	+37	+40		dBm	At 500MHz
		+38		dBm	At 900MHz
Output IP <sub>2</sub>		+63		dBm	F <sub>1</sub> =400MHz, F <sub>2</sub> =500MHz, F <sub>OUT</sub> =100MHz
Output P <sub>1dB</sub>		+25.5		dBm	At 100MHz
		+24		dBm	At 500MHz
		+22		dBm	At 900MHz
Saturated Output Power		+26		dBm	At 100MHz
		+25		dBm	At 500MHz
		+23		dBm	At 900MHz
Reverse Isolation		20		dB	
<b>Thermal</b>					
Theta <sub>JC</sub>		47		°C/W	I <sub>CC</sub> =150mA, P <sub>DISS</sub> =1.3W, T <sub>AMB</sub> =85°C
Maximum Junction Temperature		153		°C	
Mean Time Between Failures		8.6x10 <sup>2</sup>		years	T <sub>AMB</sub> =+85°C
		1.8x10 <sup>5</sup>		years	T <sub>AMB</sub> =+25°C
Theta <sub>JC</sub>		54		°C/W	I <sub>CC</sub> =180mA, P <sub>DISS</sub> =1.7W, T <sub>AMB</sub> =85°C
Maximum Junction Temperature		177		°C	
Mean Time Between Failures		99		years	T <sub>AMB</sub> =+85°C
		9.4x10 <sup>3</sup>		years	T <sub>AMB</sub> =+25°C
<b>Power Supply</b>					
Device Voltage		8.3		V	On pin 13, I <sub>CC</sub> =150mA
		8.7		V	On pin 13, I <sub>CC</sub> =180mA
Operating Current Range	100		180	mA	Actual current determined by V <sub>CC</sub> and R <sub>S</sub>

Parameter	Specification			Unit	Condition
	Min.	Typ.	Max.		
<b>Overall (75Ω)</b>					T=25°C, I <sub>CC</sub> =180mA, R <sub>C</sub> =11Ω, 75Ω System
Frequency Range	DC		3000	MHz	3dB Bandwidth
Gain		15.0		dB	
Noise Figure		5.3		dB	From 100MHz to 1000MHz
Input VSWR		1.1:1			Appropriate values for the DC blocking capacitors and bias inductor are required to maintain this VSWR at the intended operating frequency range.
Output VSWR		1.5:1			Appropriate values for the DC blocking capacitors and bias inductor are required to maintain this VSWR at the intended operating frequency range.
Output IP <sub>3</sub>		+42		dBm	At 100MHz
	+37	+40		dBm	At 500MHz
		+38		dBm	At 900MHz
Output IP <sub>2</sub>		+63		dBm	F <sub>1</sub> =400MHz, F <sub>2</sub> =500MHz, F <sub>OUT</sub> =100MHz
Output P <sub>1dB</sub>		+24		dBm	At 100MHz
		+23		dBm	At 500MHz
		+21		dBm	At 900MHz
Saturated Output Power		+25		dBm	At 100MHz
		+24		dBm	At 500MHz
		+22		dBm	At 900MHz
Reverse Isolation		20		dB	
<b>79 Channels</b>					10dBmV per channel, flat, at the input of the amplifier; I <sub>CC</sub> =150mA, V <sub>CC</sub> =10.6V
XMOD		-110		dBc	At 55.25MHz
		-78		dBc	At 331.25MHz
		-75		dBc	At 547.25MHz
CTB		-88		dBc	At 55.25MHz
		-88		dBc	At 331.25MHz
		-88		dBc	At 547.25MHz
CSO+1.25MHz		-93		dBc	At 55.25MHz
		-78		dBc	At 331.25MHz
		-70		dBc	At 547.25MHz
CSO-1.25MHz		-68		dBc	At 55.25MHz
		-78		dBc	At 331.25MHz
		-85		dBc	At 547.25MHz
<b>110 Channels</b>					10dBmV per channel, flat, at the input of the amplifier; I <sub>CC</sub> =150mA, V <sub>CC</sub> =10.6V
XMOD		-91		dBc	At 55.25MHz
		-77		dBc	At 331.25MHz
		-75		dBc	At 547.25MHz
CTB		-86		dBc	At 55.25MHz
		-85		dBc	At 331.25MHz
		-85		dBc	At 547.25MHz
CSO+1.25MHz		-92		dBc	At 55.25MHz
		-78		dBc	At 331.25MHz
		-71		dBc	At 547.25MHz
CSO-1.25MHz		-63		dBc	At 55.25MHz
		-68		dBc	At 331.25MHz
		-81		dBc	At 547.25MHz

# RF2317

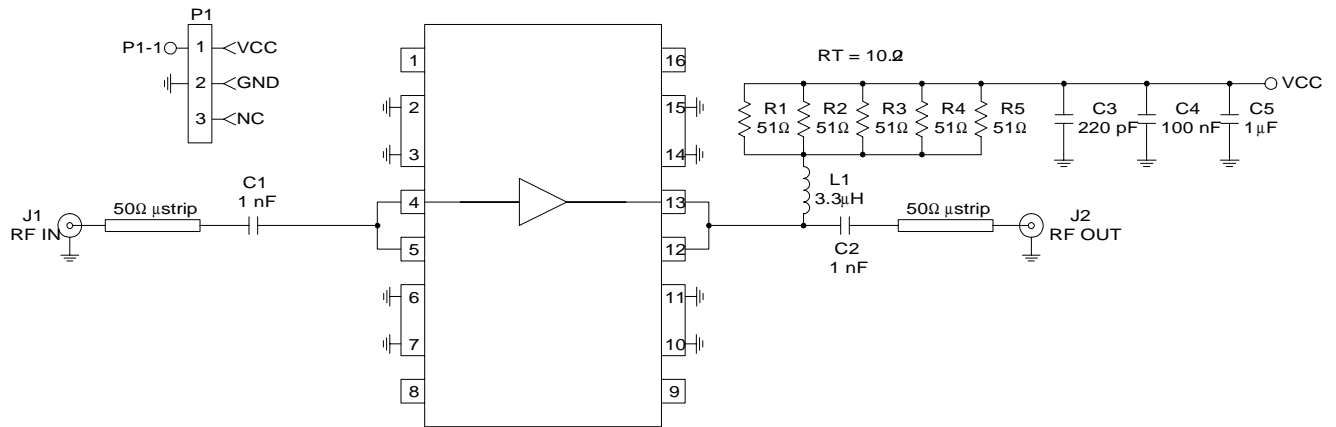
Pin	Function	Description	Interface Schematic
1	NC	This pin is internally not connected.	
2	GND	Ground connection. Keep traces physically short and connect immediately to ground plane for best performance. Each ground pin should have a via to the ground plane.	
3	GND	Same as pin 2.	
4	RF IN	RF input pin. This pin is NOT internally DC blocked. A DC blocking capacitor, suitable for the frequency of operation, should be used in most applications. DC coupling of the input is not allowed, because this will override the internal feedback loop and cause temperature instability.	
5	NC	This pin is internally not connected.	
6	GND	Same as pin 2.	
7	GND	Same as pin 2.	
8	NC	This pin is internally not connected.	
9	NC	This pin is internally not connected.	
10	GND	Same as pin 2.	
11	GND	Same as pin 2.	
12	NC	This pin is internally not connected.	
13	RF OUT	RF output and bias pin. Because DC is present on this pin, a DC blocking capacitor, suitable for the frequency of operation, should be used in most applications. For biasing, an RF choke in series with a resistor is needed. The DC voltage on this pin is typically 8.3V with a current of 150mA. See device voltage versus device current plot. In lower power applications the value of $R_C$ can be increased to lower the current and $V_D$ on this pin.	
14	GND	Same as pin 2.	
15	GND	Same as pin 2.	
16	NC	This pin is internally not connected.	

## Application Schematic 5MHz to 50MHz Reverse Path



NOTES:  
Gain Flatness <0.5 dB  
Input and Output Return Loss >20 dB

## Evaluation Board Schematic - 50Ω (Download [Bill of Materials](http://www.rfmd.com) from www.rfmd.com.)



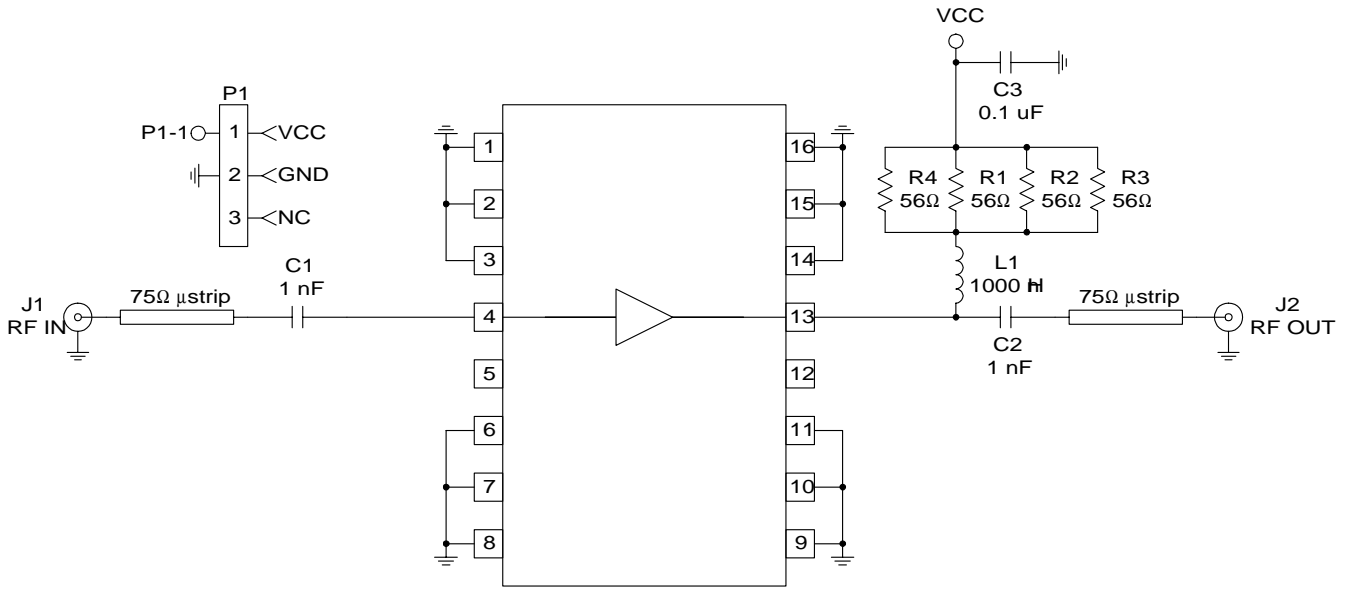
2317400 Rev -

# RF2317

## Evaluation Board Schematic - 75Ω

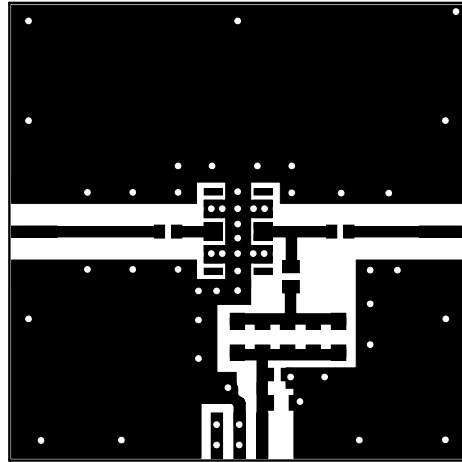
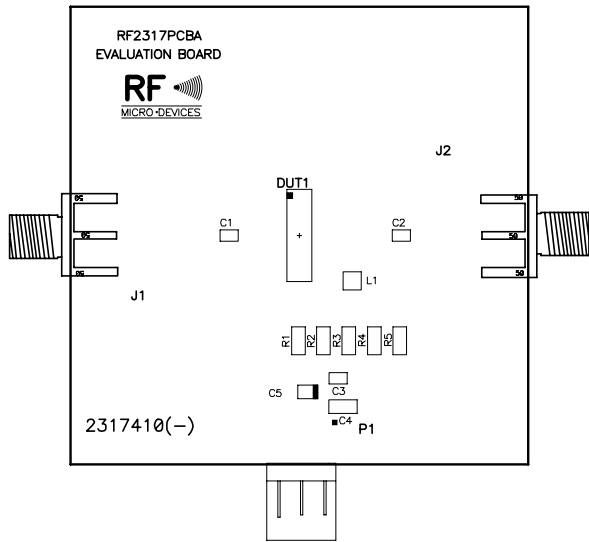
3

LINEAR CATV  
AMPLIFIERS



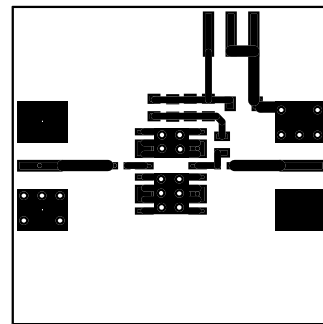
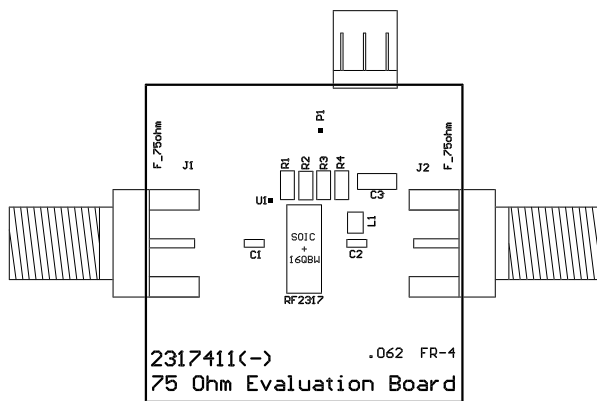
2317401 Rev -

Evaluation Board Layout - 50Ω  
 2.0" x 2.0"  
 Board Thickness 0.031", Board Material FR-4

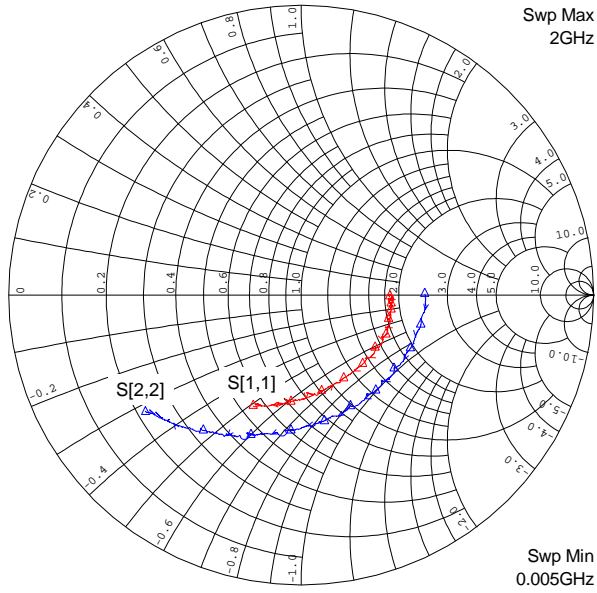


3  
 LINEAR CATV  
 AMPLIFIERS

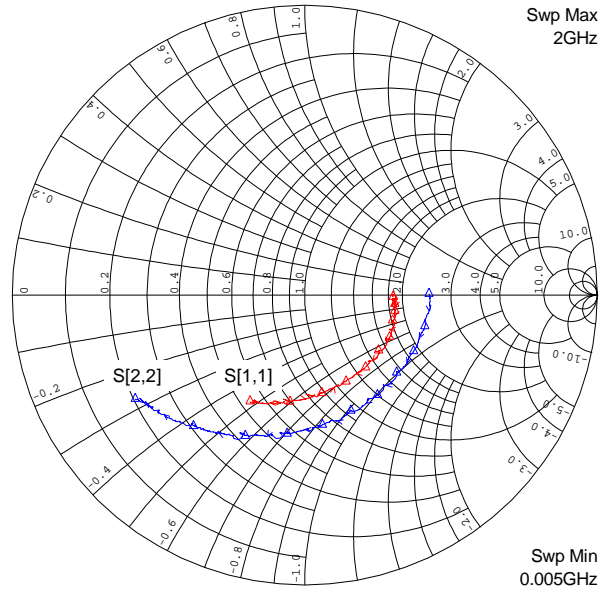
Evaluation Board Layout - 75Ω  
 1.40" x 1.40"  
 Board Thickness 0.062", Board Material FR-4



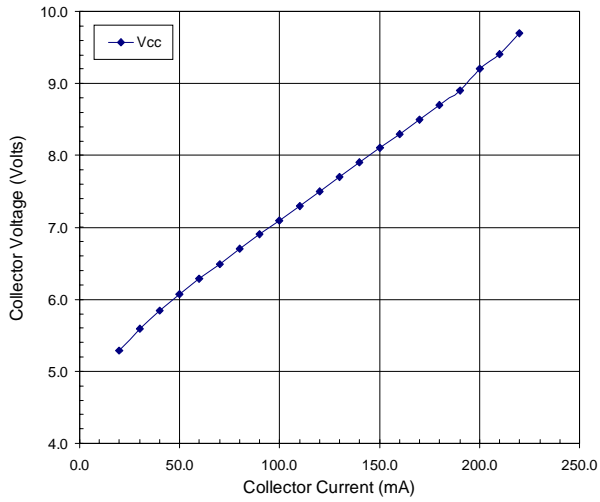
75 Ohms, ICC = 150 mA, Temp = 25°C



75 Ohms, ICC = 180 mA, Temp = 25°C



Collector Voltage versus Current



Gain versus Frequency

