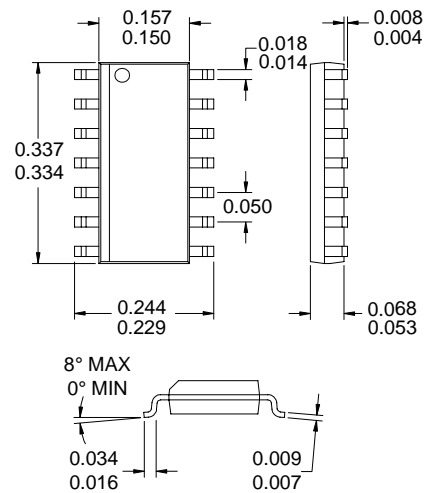


Typical Applications

- UHF Digital and Analog Receivers
- Digital Communication Systems
- Spread-Spectrum Communication Systems
- Commercial and Consumer Systems
- Portable Battery-Powered Equipment
- General Purpose Frequency Conversion

Product Description

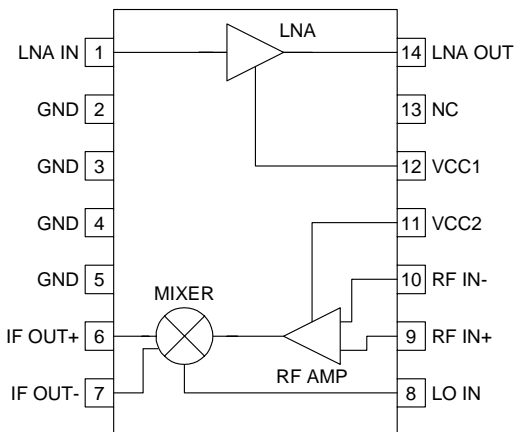
The RF2411 is a monolithic integrated UHF receiver front-end. The IC contains all of the required components to implement the RF functions of the receiver except for the passive filtering and LO generation. It contains an LNA (low-noise amplifier), a second RF amplifier, and a balanced mixer which can drive a single-ended or balanced load. The output of the LNA is made available as a pin to permit the insertion of a bandpass filter between the LNA and the RF/Mixer section. The LNA output is buffered to permit a wide range of choices for the inter-stage filter without altering the VSWR or noise figure at the LNA input and to provide high isolation from the LO to the input port. The LNA section may be disabled to conserve power.



Package Style: SOIC-14

Optimum Technology Matching® Applied

- |                                     |  |                                      |
|-------------------------------------|--|--------------------------------------|
| <input type="checkbox"/> Si BJT     | <input checked="" type="checkbox"/> GaAs HBT | <input type="checkbox"/> GaAs MESFET |
| <input type="checkbox"/> Si Bi-CMOS | <input type="checkbox"/> SiGe HBT            | <input type="checkbox"/> Si CMOS     |



Functional Block Diagram

Features

- Single 3V to 6.5V Power Supply
- 500MHz to 1900MHz Operation
- 25dB Small Signal Gain
- 2.5dB Cascaded Noise Figure
- 8.5mA DC Current Consumption
- -8dBm Input IP<sub>3</sub>

Ordering Information

- |               |  |
|---------------|--|
| RF2411        | Low Noise Amplifier/Mixer                  |
| RF2411 PCBA-L | Fully Assembled Evaluation Board (850MHz)  |
| RF2411 PCBA-H | Fully Assembled Evaluation Board (1800MHz) |

RF Micro Devices, Inc.  
 7628 Thorndike Road  
 Greensboro, NC 27409, USA

Tel (336) 664 1233  
 Fax (336) 664 0454  
<http://www.rfmd.com>

FRONT-ENDS

# RF2411

## Absolute Maximum Ratings

Parameter	Rating	Unit
Supply Voltage	-0.5 to 7.0	V <sub>DC</sub>
Input LO and RF Levels	+6	dBm
Ambient Operating Temperature	-40 to +85	°C
Storage Temperature	-40 to +150	°C



Caution! ESD sensitive device.

RF Micro Devices believes the furnished information is correct and accurate at the time of this printing. However, RF Micro Devices reserves the right to make changes to its products without notice. RF Micro Devices does not assume responsibility for the use of the described product(s).

Parameter (850 MHz)	Specification			Unit	Condition
	Min.	Typ.	Max.		
<b>Overall</b>					T = 25°C, V <sub>CC</sub> =5V, RF=850MHz, LO=0dBm, IF=50MHz, Application Schematic 2 configuration
RF Frequency Range		500 to 1900		MHz	
IF Frequency Range		DC to 150		MHz	
Cascade Gain	21	27	29	dB	IF = 10MHz
		25			IF = 50MHz
		20			IF = 150MHz
Cascade IP3		-8		dBm	Referenced to the input
Cascade Noise Figure		2.4		dB	Single sideband, IF = 10MHz
		2.4			Single sideband, IF = 50MHz
		3.4			Single sideband, IF = 150MHz
<b>First Section (LNA)</b>					
Noise Figure		1.6		dB	
Input VSWR		1.5:1			
Input IP3		-3.5		dBm	
Gain		14		dB	
Reverse Isolation		30		dB	
Output VSWR		2.0:1			
<b>Second Section (RF Amp, Mixer, IF1)</b>					
Noise Figure		11.0		dB	Single Sideband
Input VSWR		2.0:1			
Input IP3		+6		dBm	
Conversion Gain		11		dB	
Output Impedance		4		kΩ	Open Collector
<b>LO Input</b>					
LO Level		-6 to +6		dBm	
LO to RF Rejection		30		dB	
LO to IF Rejection		30		dB	
LO Input VSWR		1.5:1			
<b>Power Supply</b>					
Voltage		3 to 6.5		V	
Current Consumption		8		mA	V <sub>CC</sub> =3.0V
		20		mA	V <sub>CC</sub> =5.0V

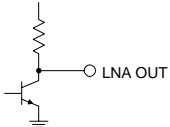
8

FRONT-ENDS

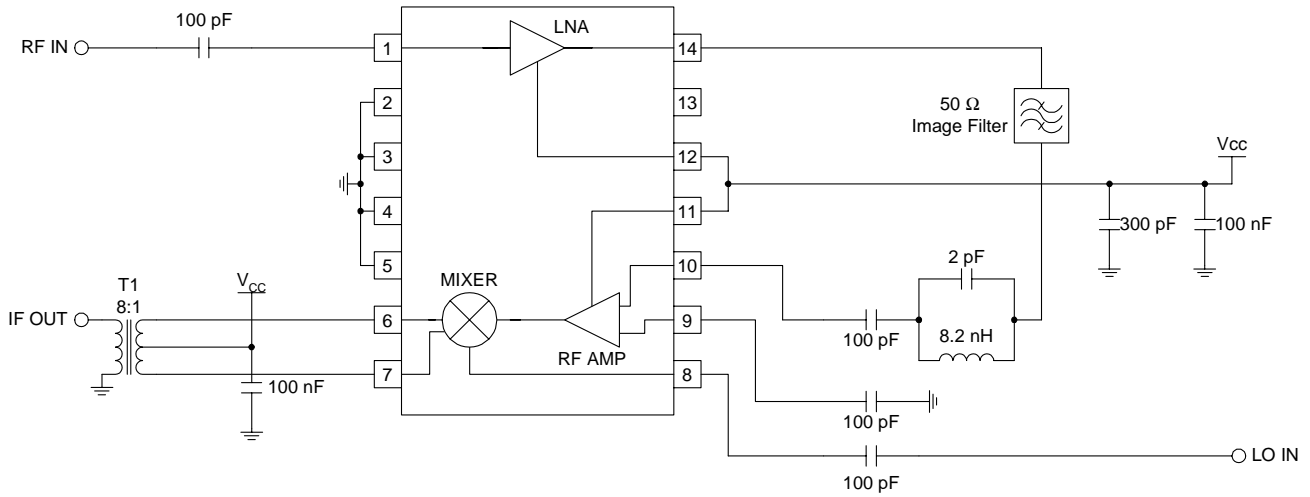
Parameter (1800MHz)	Specification			Unit	Condition
	Min.	Typ.	Max.		
<b>Overall</b>					T = 25°C, V <sub>CC</sub> = 5V, RF = 1800MHz, LO = 0dBm, IF = 50MHz, Application Schematic 2 configuration
RF Frequency Range		500 to 1900		MHz	
IF Frequency Range		DC to 100		MHz	
Cascade Gain		22		dB	
		21			
		17			
Cascade IP3		-7		dBm	Referenced to the input
Cascade Noise Figure		4.0		dB	Single sideband, IF = 10MHz
		4.0			Single sideband, IF = 50MHz
		4.8			Single sideband, IF = 150MHz
<b>First Section (LNA)</b>					
Noise Figure		2.6		dB	
Input VSWR		1.2:1			
Input IP3		-3.5		dBm	
Gain		10		dB	
Reverse Isolation		25		dB	
Output VSWR		1.5:1			
<b>Second Section (RF Amp, Mixer, IF1)</b>					
Noise Figure		10.0		dB	Single Sideband
Input VSWR		2.0:1			
Input IP3		+3		dBm	
Conversion Gain		11		dB	
Output Impedance		4		kΩ	Open Collector
<b>LO Input</b>					
LO Level		-6 to +6		dBm	
LO to RF Rejection		30		dB	
LO to IF Rejection		30		dB	
LO Input VSWR		1.2:1			

# RF2411

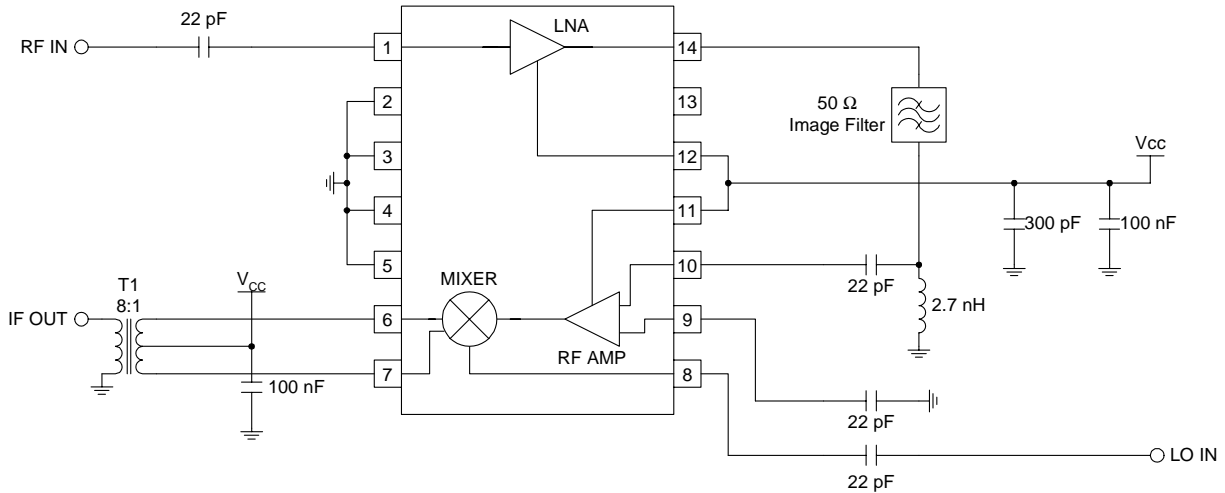
Pin	Function	Description	Interface Schematic
1	LNA IN	This pin is NOT internally DC-blocked. An external blocking capacitor must be provided if the pin is connected to a device with a DC path. A value of 100pF is recommended for 900MHz and 22pF for 1800MHz.	
2	GND	Ground connection. For best performance, keep traces physically short and connect immediately to ground plane.	
3	GND	Same as pin 2.	
4	GND	Same as pin 2.	
5	GND	Same as pin 2.	
6	IF OUT+	Balanced open collector output of the mixer. External bias needs to be supplied to this pin. This can be done with a resistor to $V_{CC}$ (see application schematic, "1800MHz, Balanced Resistor Output Matching"), with a balun (see application schematic, "1800MHz, Output Matching with Balun") or when used in a single-ended configuration (see application schematic, "1800MHz, Single-Ended Resistive Output Matching"). When using a resistor to $V_{CC}$ the resistor value will set the output impedance. Typical values for this resistor are 200 $\Omega$ to 1k $\Omega$ . A shunt inductor/capacitor resonator to $V_{CC}$ is needed to maintain proper DC voltage at the mixer. At low resistor values the resonator may be omitted at the expense of gain, output power and IP3. To obtain maximum gain and output power a balun as shown in application schematics "1800MHz, Output Matching with Balun" and "850MHz, Output Matching with Balun" is recommended. Using both outputs and matching them correctly to a single ended load will result in a 6dB gain improvement over the plain single ended configuration.	
7	IF OUT-	Same as pin 6 except complementary output.	See pin 6.
8	LO IN	50 $\Omega$ mixer LO input. This pin has an internal pull-up resistor to $V_{CC}$ and is not DC-blocked. An external blocking capacitor must be provided if the pin is connected to a device with a DC path. A value of 100pF is recommended for 900MHz and 22pF for 1800MHz.	
9	RF IN+	Balanced mixer RF Input port. This pin is NOT internally DC-blocked. An external blocking capacitor must be provided if the pin is connected to a device with a DC path. A value of 100pF is recommended for 900MHz and 22pF for 1800MHz. Matching is required; see the applications schematics. To minimize the noise figure it is recommended to have a bandpass filter before this input. This will prevent noise at the image frequency from being converted to the IF.	
10	RF IN-	Same as pin 9 except complementary input.	See pin 9.
11	VCC2	Supply voltage for the mixer bias circuits.	
12	VCC1	Supply Voltage for the LNA only. A 47pF external bypass capacitor is required and an optional 0.01 $\mu$ F will be required if no other low frequency bypass capacitors are nearby. The trace length between the pin and the bypass capacitors should be minimized. The ground side of the bypass capacitors should connect immediately to ground plane.	

Pin	Function	Description	Interface Schematic
13	NC	No connection.	
14	LNA OUT	50Ω output. An external DC blocking capacitor is required when this pin is connected to a DC path.	

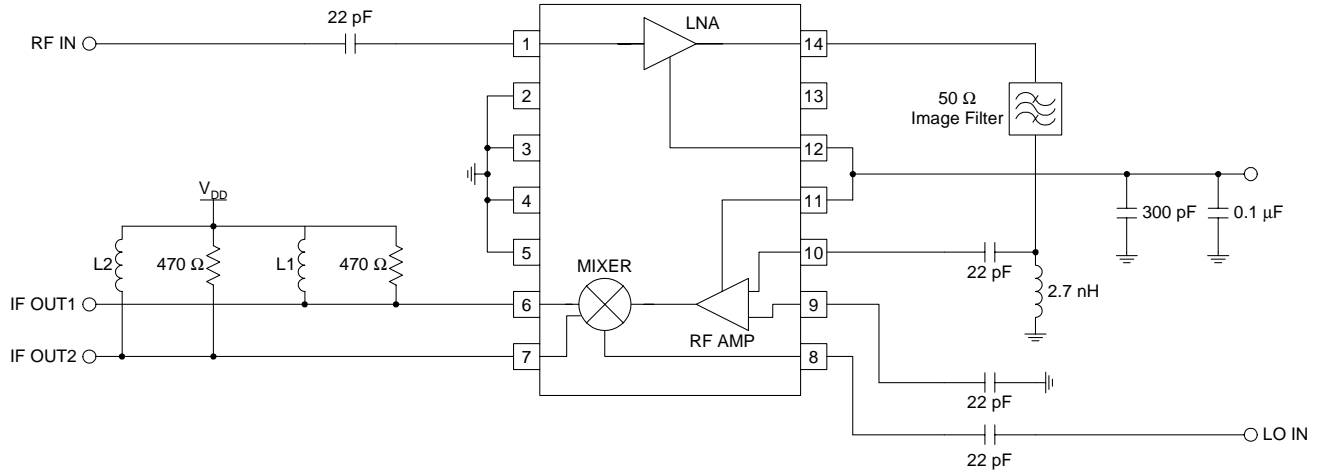
## Application Schematic 850MHz, Output Matching with Balun



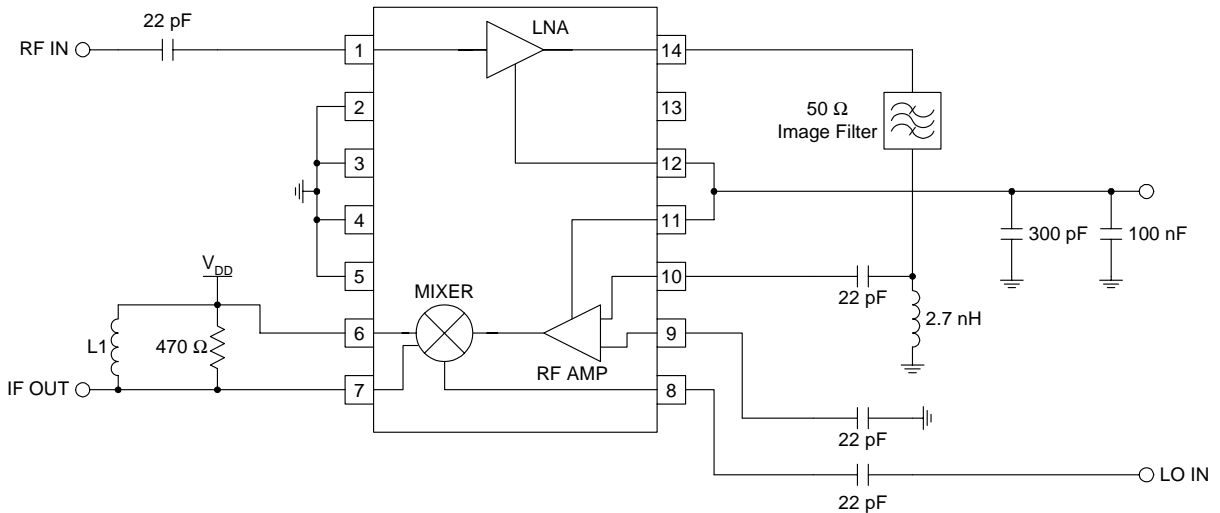
## Application Schematic 1800MHz, Output Matching with Balun



## Application Schematic 1800MHz, Balanced Resistive Output Matching



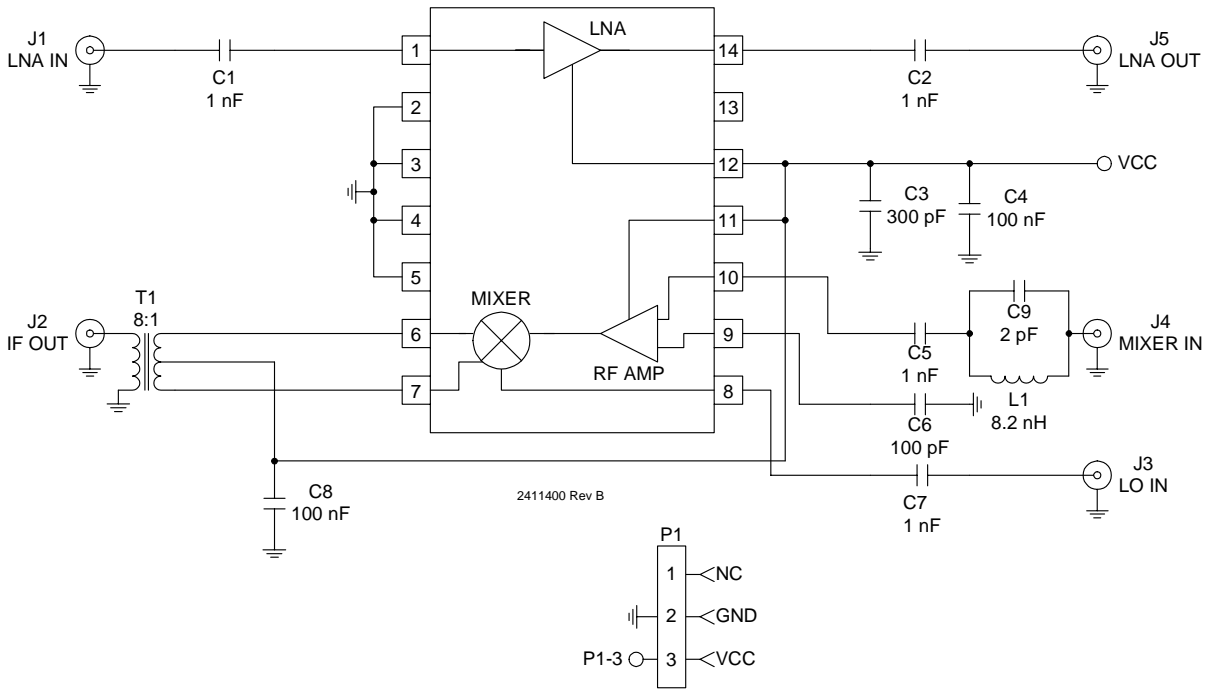
## Application Schematic 1800MHz, Single-Ended Resistive Output Matching



# RF2411

## Evaluation Board Schematic Mixer Tuned for 850MHz

(Download [Bill of Materials](http://www.rfmd.com) from [www.rfmd.com](http://www.rfmd.com).)

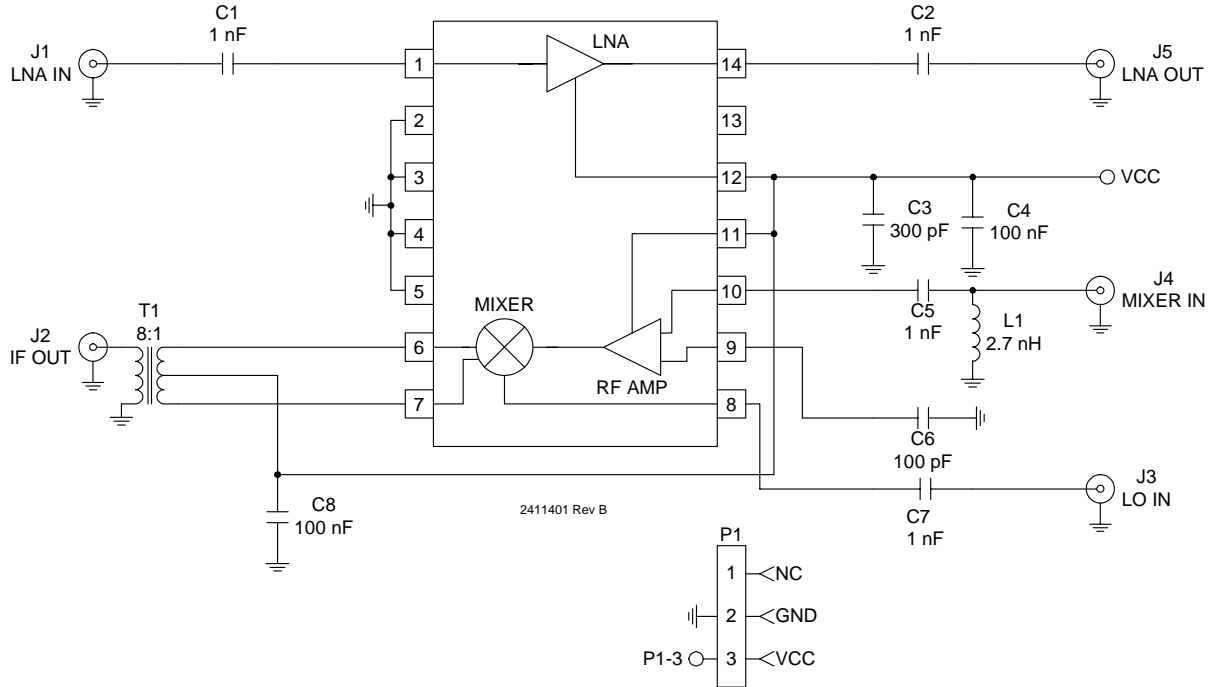


8

FRONT-ENDS

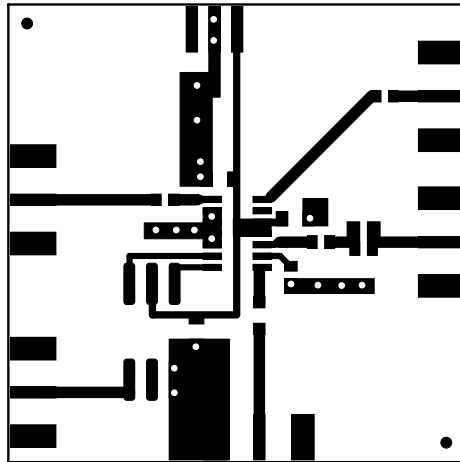
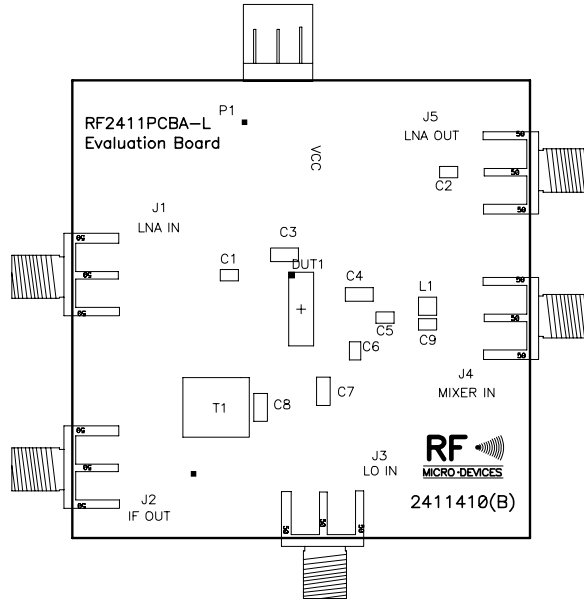


## Evaluation Board Schematic Mixer Tuned for 1800MHz

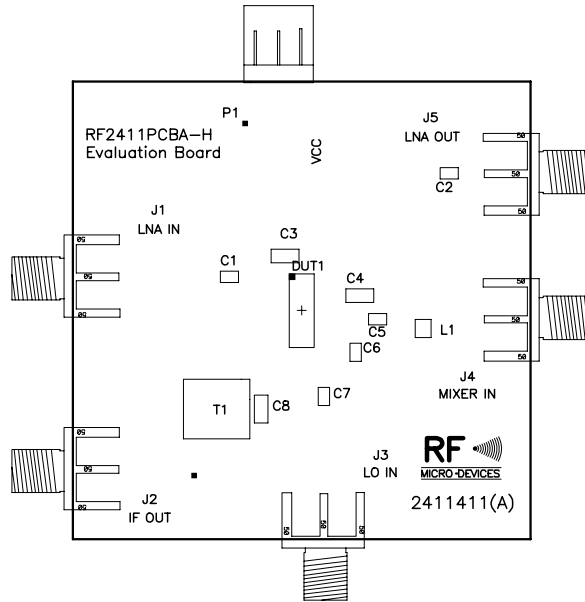


# RF2411

## Evaluation Board Layout 850MHz Board Size 2.0" x 2.0"

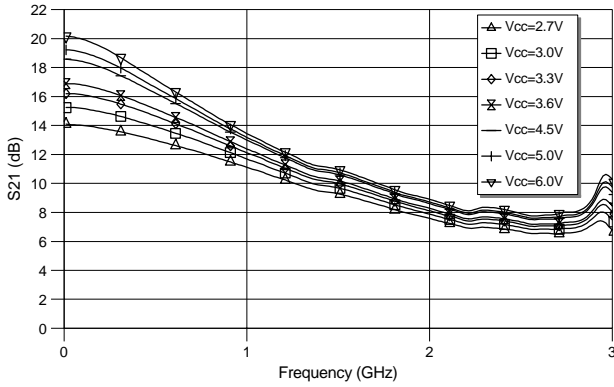


## Evaluation Board Layout 1800MHz Board Size 2.0" x 2.0"

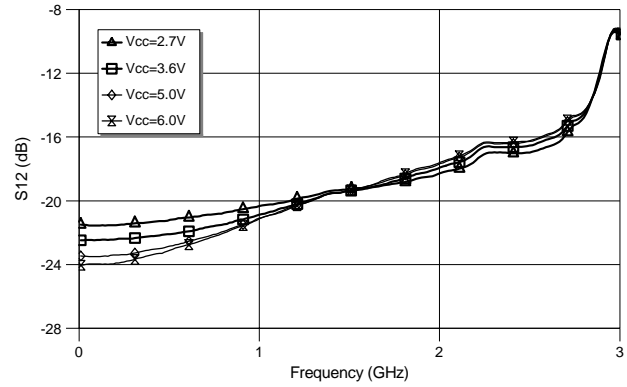


# RF2411

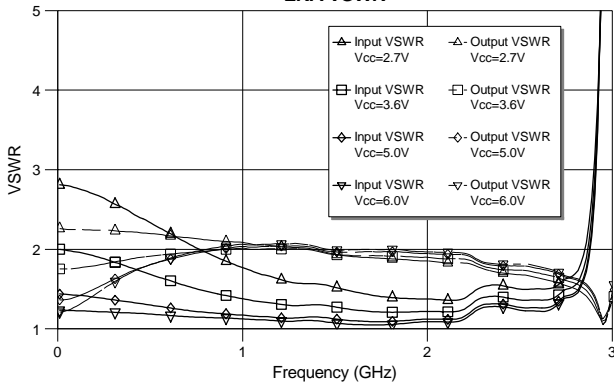
LNA S21



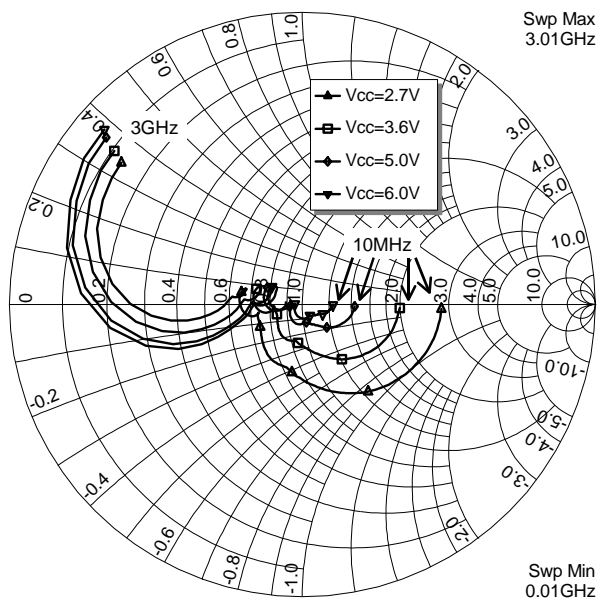
LNA S12



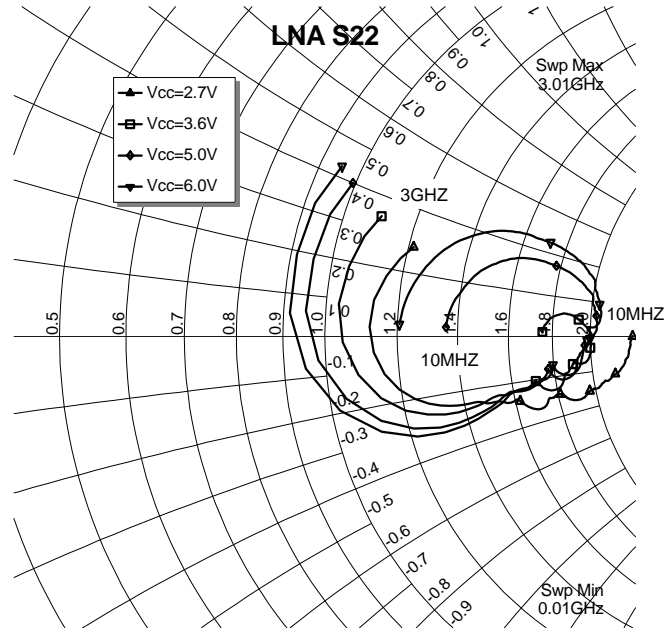
LNA VSWR



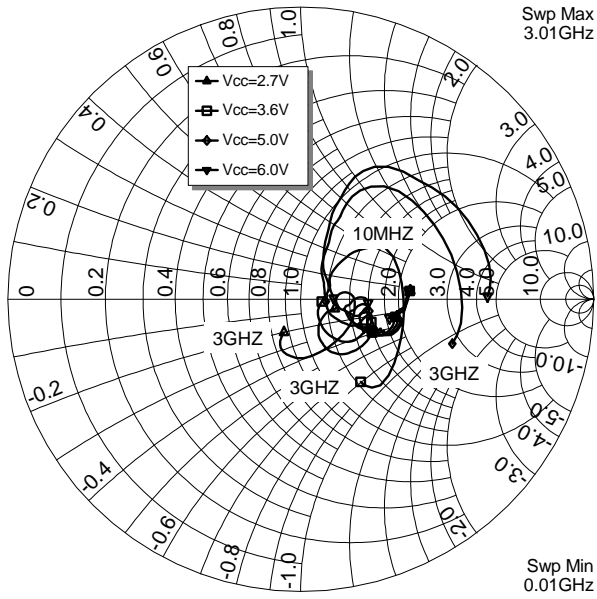
LNA S11



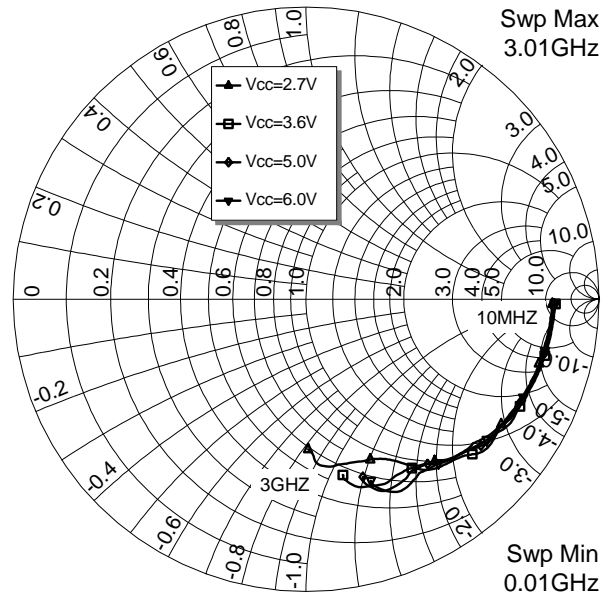
LNA S22



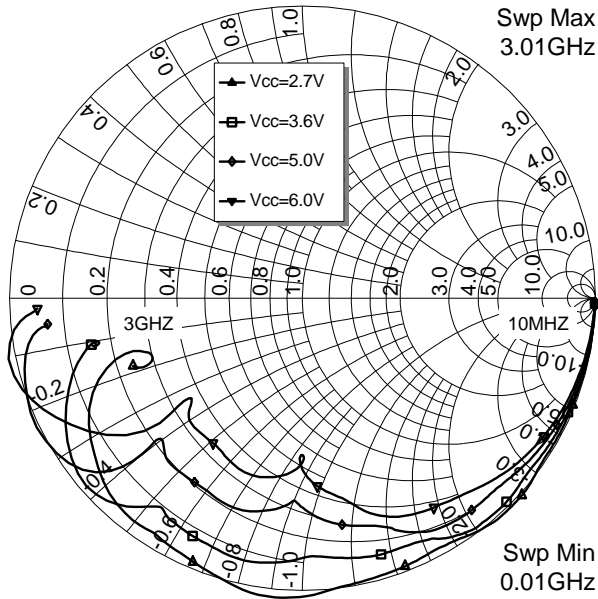
### LO Input



### RF Input (single ended)



### IF Output



**RF2411**

**∞**

**FRONT-ENDS**