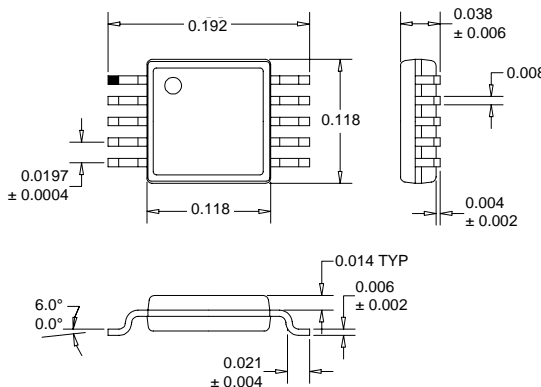


Typical Applications

- TDMA/AMPS Cellular Systems
- CDMA/AMPS Cellular Systems
- Portable Battery Powered Equipment

Product Description

The RF2640 is a complete upconverter and power amplifier driver designed for TDMA and CDMA applications. The device features balanced IF inputs, single-ended LO input and RF output for ease of interface. Packaged in an industry standard MSOP-10 package, the device provides a low-cost solution while easing board space limitations.



6
MIXERS

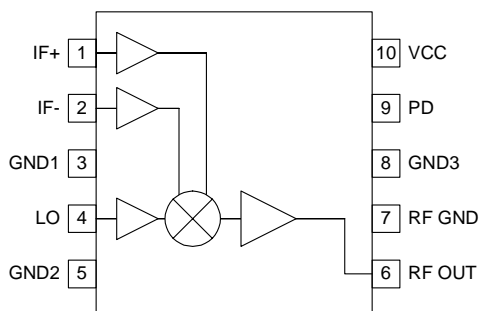
Optimum Technology Matching® Applied

- | | | |
|--|-----------------------------------|--------------------------------------|
| <input type="checkbox"/> Si BJT | <input type="checkbox"/> GaAs HBT | <input type="checkbox"/> GaAs MESFET |
| <input checked="" type="checkbox"/> Si Bi-CMOS | <input type="checkbox"/> SiGe HBT | <input type="checkbox"/> Si CMOS |

Package Style: MSOP-10

Features

- Single Supply 3.0V Operation
- +8.5dBm Output P1dB
- +19dBm Output IP3
- Power Down Control
- 23dB Conversion Gain



Functional Block Diagram

Ordering Information

- | | |
|-------------|---|
| RF2640 | 3V 900MHz Upconverter/ Driver Amplifier |
| RF2640 PCBA | Fully Assembled Evaluation Board |

RF Micro Devices, Inc.
7628 Thorndike Road
Greensboro, NC 27409, USA

Tel (336) 664 1233
Fax (336) 664 0454
<http://www.rfmd.com>

Absolute Maximum Ratings

Parameter	Rating	Unit
Supply Voltage	-0.5 to +3.6	V _{DC}
Input RF Power	+3	dBm
Operating Ambient Temperature	-30 to +80	°C
Storage Temperature	-30 to +150	°C



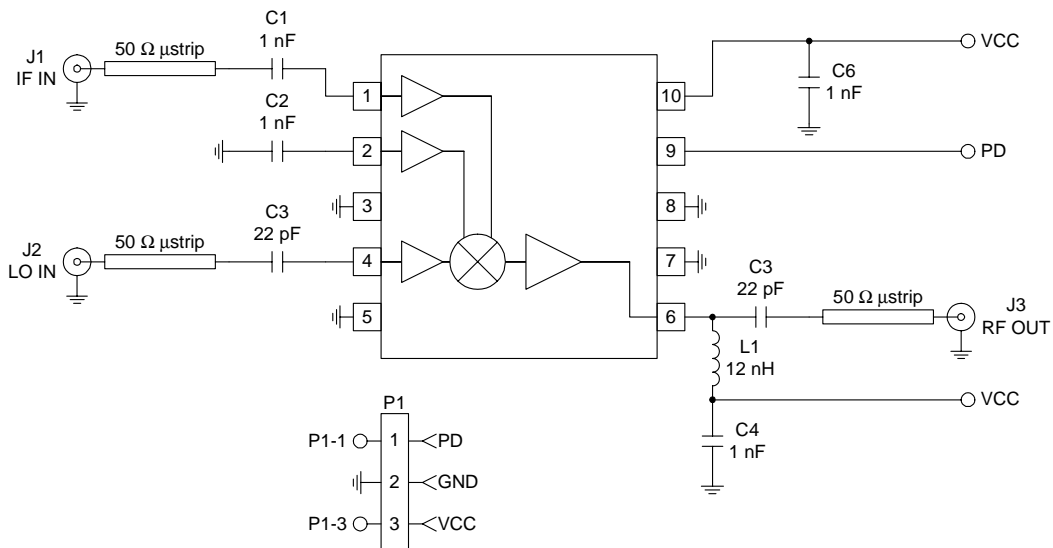
Caution! ESD sensitive device.

RF Micro Devices believes the furnished information is correct and accurate at the time of this printing. However, RF Micro Devices reserves the right to make changes to its products without notice. RF Micro Devices does not assume responsibility for the use of the described product(s).

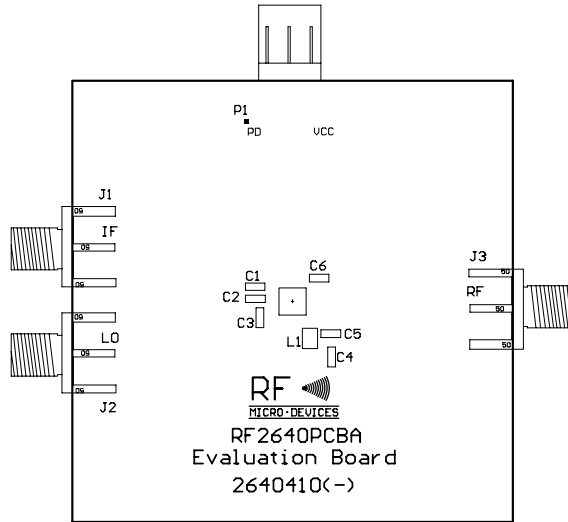
Parameter	Specification			Unit	Condition
	Min.	Typ.	Max.		
Overall					T=25°C, V _{CC} =2.7V, RF Out=836MHz, LO=1016MHz @ -8dBm, IF=180MHz @ -30dBm
RF Output Frequency Range	824		849	MHz	Single Sideband 50Ω
Conversion Gain	22	23.5	26	dB	
Noise Figure		12		dB	
Output P1dB		+8.5		dBm	
Output IP3	+17	+18.5		dBm	
Output VSWR		1.25:1			
IF Input					
IF Frequency		180		MHz	
IF Input Level	-60		-15	dBm	
Single-Ended Input Impedance		70		Ω	
IF to RF Isolation		45		dB	
LO Input					
LO Frequency Range	1004		1029	MHz	IF Input < -24 dBm 50Ω
LO Level	-10	-8	-6	dBm	
LO to RF Output Leakage			-18	dBm	
LO Input VSWR		1.25:1			
Power Supply					
Voltage	2.7		3.3	V	Device is active (ON); V _{PD} =1.8V
Current Consumption		45	65	mA	
			10	μA	Device is inactive (OFF); V _{PD} =0.6V
Power Down Voltage	0.0		0.6	V	Device is inactive (OFF); V _{PD} =0.6V
	1.2		1.8	V	Device is active (ON); V _{PD} =1.8V
Power Down Current			0.1	mA	Device is active (ON); V _{PD} =1.8V

Pin	Function	Description	Interface Schematic
1	IF+	Balanced IF input pin. This pin is internally DC-biased and should be DC-blocked if connected to a device with a DC level present. For single-ended input operation, one pin is used as an input and the other IF input is AC-coupled to ground. The single-ended input impedance is 50Ω.	
2	IF-	Same as pin 1, except complementary input.	
3	GND1	Ground connection. For best performance, keep traces physically short and connect immediately to ground plane.	
4	LO+	Single-ended LO input pin. This pin is internally DC-biased and should be DC-blocked if connected to a device with a DC level present. The single-ended input impedance is 50Ω.	
5	GND2	Same as pin 3, except complementary input.	
6	RF OUT	RF Output Pin. The output impedance is 50Ω.	
7	RF GND	This pin requires a small inductance to ground to optimize the gain and third order intercept point. See Evaluation Board Layout. The trace length on the board is approximately 65mils.	
8	GND3	Same as pin 7.	
9	PD	Power down control. When logic "high" (between 1.2V and 1.8V) the device is active and all circuits are operating. When logic "low" (between 0.0V and 0.6V) the device is inactive and all circuits are turned off.	
10	VCC	Supply Voltage pin. External bypassing is required. External RF, LO, and IF bypassing is required. The trace length between the pin and the bypass capacitors should be minimized. The ground side of the bypass capacitors should connect immediately to ground plane.	

Evaluation Board Schematic
 RF = 836MHz, LO = 1016MHz
 (Download [Bill of Materials](http://www.rfmd.com) from www.rfmd.com.)



Evaluation Board Layout
Board Size 2.0" x 2.0"
Board Thickness 0.031", Board Material FR-4



6
MIXERS

