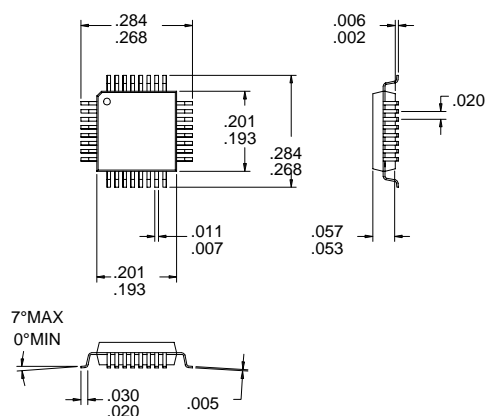


Typical Applications

- Wireless Meter Reading
- Keyless Entry Systems
- 433/868/915MHz ISM Bands Systems
- Remote Data Transfers
- Wireless Security Systems

Product Description

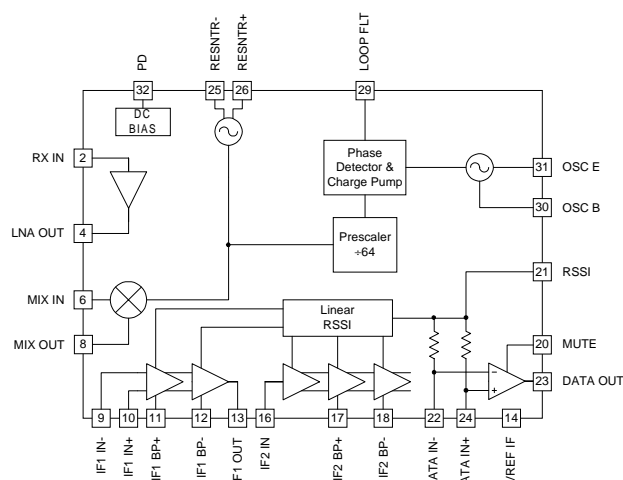
The RF2919 is a monolithic integrated circuit intended for use as a low cost ASK/OOK receiver. The device is provided in 32-lead plastic packaging and is designed to provide a fully functional AM receiver. The chip is intended for applications in the North American 915MHz ISM band and European 433MHz and 868MHz ISM bands. The integrated VCO, +64 prescaler, and reference oscillator require only the addition of an external crystal to provide a complete phase-locked oscillator for single channel applications. A data comparator is included to provide logic level outputs.



Package Style: LQFP-32

Optimum Technology Matching® Applied

- | | | |
|--|-----------------------------------|--------------------------------------|
| <input checked="" type="checkbox"/> Si BJT | <input type="checkbox"/> GaAs HBT | <input type="checkbox"/> GaAs MESFET |
| <input type="checkbox"/> Si Bi-CMOS | <input type="checkbox"/> SiGe HBT | <input type="checkbox"/> Si CMOS |



Functional Block Diagram

Features

- Fully Monolithic Integrated Receiver
- 2.7V to 5.0V Supply Voltage
- Up to 256kbps Data Rates
- 300MHz to 1000MHz Frequency Range
- Power Down Capability
- Analog or Digital Output

Ordering Information

- | | |
|---------------|--|
| RF2919 | 433/868/915MHz ASK/OOK Receiver |
| RF2919 PCBA-L | Fully Assembled Evaluation Board, 433MHz |
| RF2919 PCBA-M | Fully Assembled Evaluation Board, 868MHz |
| RF2919 PCBA-H | Fully Assembled Evaluation Board, 915MHz |

RF Micro Devices, Inc.
7625 Thorndike Road
Greensboro, NC 27409, USA

Tel (336) 664 1233
Fax (336) 664 0454
<http://www.rfmd.com>

RF2919

Absolute Maximum Ratings

Parameter	Ratings	Unit
Supply Voltage	-0.5 to +5.5	V _{DC}
Control Voltages	-0.5 to +5.0	V _{DC}
Input RF Level	+10	dBm
Output Load VSWR	50:1	
Operating Ambient Temperature	-40 to +85	°C
Storage Temperature	-40 to +150	°C



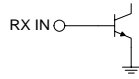
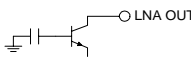
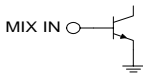
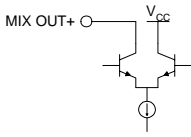
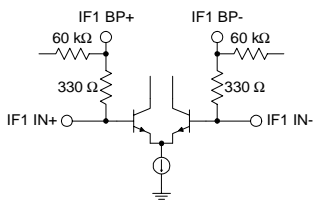
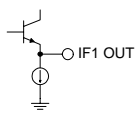
Caution! ESD sensitive device.

RF Micro Devices believes the furnished information is correct and accurate at the time of this printing. However, RF Micro Devices reserves the right to make changes to its products without notice. RF Micro Devices does not assume responsibility for the use of the described product(s).

Parameter	Specification			Unit	Condition
	Min.	Typ.	Max.		
Overall					T=25 °C, V _{CC} =3.6V, Freq=915MHz
RF Frequency Range		300 to 1000		MHz	
VCO and PLL Section					
VCO Frequency Range		300 to 1000		MHz	The PLL lock time is set externally by the bandwidth of the loop filter and start-up of the crystal. 915MHz, 5kHz loop BW, 10kHz offset 915 MHz, 5kHz loop BW, 100kHz offset
PLL Lock Time		10		ms	
PLL Phase Noise		-74 -98		dBc/Hz dBc/Hz	
Reference Frequency	0.5		17	MHz	
Crystal R _S		50	100	Ω	
Charge Pump Current		40		μA	Sink and source current
Overall Receive Section					
Frequency Range		300 to 1000		MHz	IF BW=150kHz, Freq=915MHz, S/N=8dB R _L =24kΩ MUTE = 0 MUTE = 0
RX Sensitivity	-100	-104		dBm	
LO Leakage			-70	dBm	
RSSI DC Output Range		0.4 to 1.5		V	
RSSI Sensitivity		13		mV/dB	
RSSI Dynamic Range		60		dB	
LNA					
Power Gain		18		dB	433MHz, Matched to 50Ω
		16		dB	915MHz, Matched to 50Ω
Noise Figure		3.6		dB	433MHz
		3.7		dB	915MHz
Input IP ₃		-8		dBm	915 MHz
Input P _{1dB}		-15		dBm	915 MHz
RX IN Impedance		82-j86		Ω	433MHz (see Plots)
		77-j43		Ω	915MHz (see Plots)
Output Impedance		Open Collector		Ω	
Mixer					Single-ended configuration
Conversion Power Gain		15		dB	433MHz, Matched to 50Ω
		7.5		dB	915MHz, Matched to 50Ω
Noise Figure (SSB)		17		dB	433MHz, SSB Measurement
		17		dB	915MHz, SSB Measurement
Input IP ₃		-20		dBm	433MHz
Input IP ₃		-15		dBm	915MHz
Input P _{1dB}		-30		dBm	433MHz
Input P _{1dB}		-26		dBm	915MHz
First IF Section					
IF Frequency Range	0.1	10.7	25	MHz	IF=10.7MHz, Z _L =330Ω
Voltage Gain		34		dB	
Noise Figure		13		dB	
IF1 Input Impedance		330		Ω	
IF1 Output Impedance		330		Ω	

Parameter	Specification			Unit	Condition
	Min.	Typ.	Max.		
Second IF Section					
IF Frequency Range	0.1	10.7	25	MHz	IF=10.7MHz, internal to demod
Voltage Gain		60		dB	
Noise Figure		13		dB	
Input IP ₃				mV _{PP}	
IF2 Input Impedance		330		Ω	
Data Output Impedance		6.3 - j25.7		kΩ	
Data Output Rise/Fall Time		150		ns	
Data Output Level	0.3		V _{CC} -0.3	V	Z _{LOAD} =1MΩ 3pF Z _{LOAD} =1MΩ 3pF
Power Down Control					
Logical Controls "ON"	2.0		1.0	V	Voltage supplied to the input Voltage supplied to the input
Logical Controls "OFF"					
Control Input Impedance	25			kΩ	f _{XTAL} =14.318MHz. Dependent on configuration.
Turn On Time		4		ms	
Turn Off Time		4		ms	
Power Supply					
Voltage		3.6		V	Specifications Operating limits RX Mode Power Down Mode
		2.7 to 5.0		V	
Current Consumption	8	10	12	mA	
				1	μA

RF2919

Pin	Function	Description	Interface Schematic
1	VCC1	This pin is used to supply DC bias to the receiver RF circuits. An RF bypass capacitor should be connected directly to this pin and returned to ground. A 100pF capacitor is recommended for 915MHz applications. A 220pF capacitor is recommended for 433MHz applications.	
2	RX IN	RF input pin for the receiver electronics. RX IN input impedance is a low impedance when enabled. RX IN is a high impedance when the receiver is disabled.	
3	GND1	Ground connection for RF receiver functions. Keep traces physically short and connect immediately to ground plane for best performance.	
4	LNA OUT	Output pin for the receiver RF low noise amplifier. This pin is an open collector output and requires an external pull up coil to provide bias and tune the LNA output.	
5	GND2	GND2 is connection for the 40 dB IF limiting amplifier. Keep traces physically short and connect immediately to ground plane for best performance.	
6	MIX IN	RF input to the RF Mixer. An LC matching network between LNA OUT and MIX IN can be used to connect the LNA output to the RF mixer input in applications where an image filter is not needed or desired.	
7	GND3	GND3 is the ground connection for the receiver RF mixer.	
8	MIX OUT	IF output from the RF mixer. Interfaces directly to 10.7MHz ceramic IF filters as shown in the application schematic. A pull-up inductor and series matching capacitor should be used to present a 330Ω termination impedance to the ceramic filter. Alternately, an IF tank can be used to tailor the IF frequency and bandwidth to meet the needs of a given application. In addition to the matching components, a 15pF capacitor should be placed from this pin to ground.	
9	IF1 IN-	Balanced IF input to the 40dB limiting amplifier strip. A DC blocking capacitor is required on this input, 10nF is recommended.	
10	IF1 IN+	Functionally the same as pin 9 except non-inverting node amplifier input. In single-ended applications, this input should be bypassed directly to ground through a 10 nF capacitor.	See pin 9.
11	IF1 BP+	DC feedback node for the 40dB limiting amplifier strip. A 10nF bypass capacitor from this pin to ground is recommended.	See pin 9.
12	IF1 BP-	See pin 11.	See pin 9.
13	IF1 OUT	IF output from the 40dB limiting amplifier. The IF1 OUT output presents a nominal 330Ω output resistance and interfaces directly to 10.7MHz ceramic filters.	
14	VREF IF	DC voltage reference for the IF limiting amplifiers (typically 1.1V). A 10nF capacitor from this pin to ground is recommended.	
15	GND5	Ground connection for 60dB IF limiting amplifier. Keep traces physically short and connect immediately to ground plane for best performance.	

Pin	Function	Description	Interface Schematic
16	IF2 IN	Inverting input to the 60dB limiting amplifier strip. A 10 nF DC blocking capacitor is required on this input. The IF2 IN input presents a nominal 330Ω input resistance and interfaces directly to 10.7MHz ceramic filters.	
17	IF2 BP+	DC feedback node for the 60dB limiting amplifier strip. A 10nF bypass capacitor from this pin to ground is required.	See pin 16.
18	IF2 BP-	See pin 17.	See pin 16.
19	VCC3	This pin is used to supply DC bias to the 60dB IF limiting amplifier. An IF bypass capacitor should be connected directly to this pin and returned to ground. A 10 nF capacitor is recommended for 10.7MHz IF applications.	
20	MUTE	This pin is used to mute the data output (DATA OUT). MUTE > 2.0V turns the DATA OUT signal on. MUTE < 1.0V turns the DATA OUT signal off.	
21	RSSI	A DC voltage proportional to the received signal strength is output from this pin. The output voltage increases with increasing signal strength.	
22	DATA IN-	The inverting input of the data comparator. The RSSI is fed to this pin via a 50kΩ resistor. This input is available for a data filtering capacitor that provides noise and 2x IF rejection. The value of the capacitor can be calculated by $C = 1/(2\pi F * 50k\Omega)$ where F is the desired 3dB bandwidth.	
23	DATA OUT	The data comparator output which contains the modulating data recovered from the RSSI signal. Hysteresis can be added to the comparator by placing a very large (< 1MΩ) resistor between pins 23 and 24. The magnitude of the load impedance is intended to be 1MΩ or greater.	
24	DATA IN+	The non-inverting input of the data comparator. The RSSI is fed to this pin via a 50kΩ resistor. This input is available for a large filtering capacitor such that the modulation signal can be filtered out leaving a DC reference signal for the comparator.	See pin 22.
25	RESNTR-	This port is used to supply DC voltage to the VCO as well as to tune the center frequency of the VCO. Equal value inductors should be connected to this pin and pin 26.	
26	RESNTR+	See pin 25.	See pin 25.
27	VCC2	This pin is used to supply DC bias to the VCO, prescaler, and PLL. An IF bypass capacitor should be connected directly to this pin and returned to ground. A 10 nF capacitor is recommended for 10.7MHz IF applications.	
28	GND4	GND4 is the ground shared on chip by the VCO, prescaler, and PLL electronics.	

RF2919

Pin	Function	Description	Interface Schematic
29	LOOP FLT	Output of the charge pump, and input to the VCO control. An RC network from this pin to ground is used to establish the PLL bandwidth.	
30	OSC B	This pin is connected directly to the reference oscillator transistor base. The intended reference oscillator configuration is a modified Colpitts. A 100pF capacitor should be connected between pin 30 and pin 31.	
31	OSC E	This pin is connected directly to the emitter of the reference oscillator transistor. A 100pF capacitor should be connected from this pin to ground.	See pin 30.
32	PD	This pin is used to power up or down the RF2919. A logic high (PWR DWN >2.0 V) powers up the receiver and PLL. A logic low (PWR DWN <1.0 V) powers down circuit to standby mode.	
	ESD	This diode structure is used to provide electrostatic discharge protection to 3kV using the Human body model. The following pins are protected: 1, 3, 5, 7-19, 21-24, 27-31.	

RF2919 Theory of Operation and Application Information

The RF2919 is a part of a family of low-power RF transceiver IC's that was developed for wireless data communication devices operating in the European 433MHz/868MHz ISM bands or U.S. 915MHz ISM band. This IC has been implemented in a 15GHz silicon bipolar process technology that allows low-power transceiver operation in a variety of commercial wireless products. The RF2919 realizes a highly integrated, single-conversion ASK/OOK receiver with the addition of a reference crystal, intermediate frequency (IF) filtering, and a few passive components. The LNA (low-noise amplifier) input of the RF2919 is easily matched to a front-end filter or antenna by means of a DC blocking capacitor and reactive components. The receiver local oscillator (LO) is generated by an internalized VCO, PLL and phase discriminator in conjunction with the external reference crystal, loop filter and VCO resonator components. The receiver IF section is optimized to interface with low cost 10.7MHz ceramic filters, and its -3dB bandwidth of 25MHz also allows it to be used (with lower gain) at higher frequencies with other types of filters.

OPERATION

The ASK/OOK demodulation is accomplished by an on-chip data comparator. The RSSI output is internally routed through 50k Ω resistors to provide the inputs (DATA IN+ and DATA IN-) to the data comparator. Either input may be used as the data input with the other input used as the reference. A shunt capacitor can be added to the data input to provide filtering of noise and the second IF harmonic. The value of the data filtering capacitor is calculated by

$$= \frac{1}{2\pi F \cdot 16.7k\Omega}$$

where F is the desired 3dB bandwidth. The factor of 16.7k Ω is the net internal impedance (50k Ω in parallel with a 25k Ω comparator input impedance).

A large filtering capacitor may be used on the reference input to remove the modulation signal, leaving a DC reference for the comparator. Because this reference filter may have a long time constant, a longer preamble may be required to allow the DC reference to stabilize. The data pattern also affects the stability of the DC reference and the reliability of the received data. Since a string of consecutive data 'ones' (or 'zeroes') will result in a change to the DC reference, a coding scheme such as Manchester should be used to

improve data integrity. Hysteresis can be added by placing a resistor between the input and the output.

The DATA OUT pin is only capable of driving rail-to-rail output into a very high impedance and small capacitance, with the amount of capacitance affecting the DATA OUT bandwidth. For a 3pF load, the bandwidth is in excess of 500kHz. The rise and fall times of the RSSI are limited by the bandwidth of the IF filters, thereby limiting the effective data rate.

The RSSI output signal is supplied from a current source and therefore requires a resistor to convert it to a voltage. For a 24k Ω resistive load, the RSSI will typically range from 0.4V to 1.5V (3.6V supply). A small parallel capacitor is suggested to limit the bandwidth and filter noise.

APPLICATION AND LAYOUT CONSIDERATIONS

The RX IN pin is DC biased, requiring a DC blocking capacitor. If the RF filter has DC blocking characteristics, such as a ceramic dielectric filter, then a DC blocking capacitor is not necessary. When in power down mode, the RX IN impedance increases. Therefore in a half-duplex application, the RF2919 RX IN may share the RF filter with a transmitter output having a similar high impedance power down characteristic. Care must be taken in this case to account for loading effects of the transmitter on the receiver and vice versa in matching the filter to both the transmitter and receiver.

The VCO is a very sensitive block in this system. RF signals feeding back into the VCO by either radiation or coupling of traces may cause the PLL to become unlocked. The trace(s) for the anode of the tuning varactor should also be kept short. The layout of the resonators and varactor are very important. The capacitor and varactor should be closest to the RF2919 pins and the trace length should be as short as possible. The inductors can be placed further away and any trace inductance can be compensated by reducing the value of the inductors. Printed inductors may also be used with careful design. For best results, the physical layout should be as symmetrical as possible.

When using loop bandwidths lower than the 5kHz shown on the evaluation board, better supply filtering at the resonators (and lower V_{CC} noise as well) will help reduce phase noise of the VCO; a series resistor of 100 Ω to 200 Ω and a 1 μ F or larger capacitor can be used. Phase noise is generally more critical in narrow-band applications where adjacent channel selectivity is

a concern, but it can also contribute to raising the noise floor of the receiver, thereby degrading sensitivity.

For the interface between the LNA and mixer, the coupling capacitor should be as close to the RF2919 pins as possible with the bias inductor being further away. Once again, the value of the inductor can be changed to compensate for trace inductance. The output impedance of the LNA is on the order of several kΩ which makes matching to 50Ω difficult. If image filtering is desired, a high impedance filter is recommended. If no filtering is used, the match to the mixer input need not be a good conjugate match due to the high gain of the IF amplifier stages. In fact, a conjugate match between the LNA and mixer will not significantly improve sensitivity, but will have an adverse effect on system IIP3 and increase the likelihood of IF instability.

Predicting and Minimizing PLL Lock Time

The RF2919 implements a conventional PLL on chip. The VCO is followed by a prescaler, which divides down the output frequency for comparison with the reference oscillator frequency. The output of the phase discriminator is a sequence of pulse width modulated current pulses in the required direction to steer the VCO's control voltage to maintain phase lock, with a loop filter integrating the current pulses. The lock time of this PLL is a combination of the loop transient response time and the slew rate set by the phase discriminator output current combined with the magnitude of the loop filter capacitance. A good approximation for total lock time of the RF2919 is:

$$LockTime = \frac{D}{F_C} + 35000 \cdot C \cdot dV$$

where D is a factor to account for the loop damping, F_C is the loop cut frequency, C is the sum of all shunt capacitors in the loop filter, and dV is the required step voltage change to produce the desired frequency change during the transient. For loops with low phase margin (30° to 40°), use D=2 whereas for loops with better phase margin (50° to 60°), use D=1.

To lock faster, C needs to be minimized.

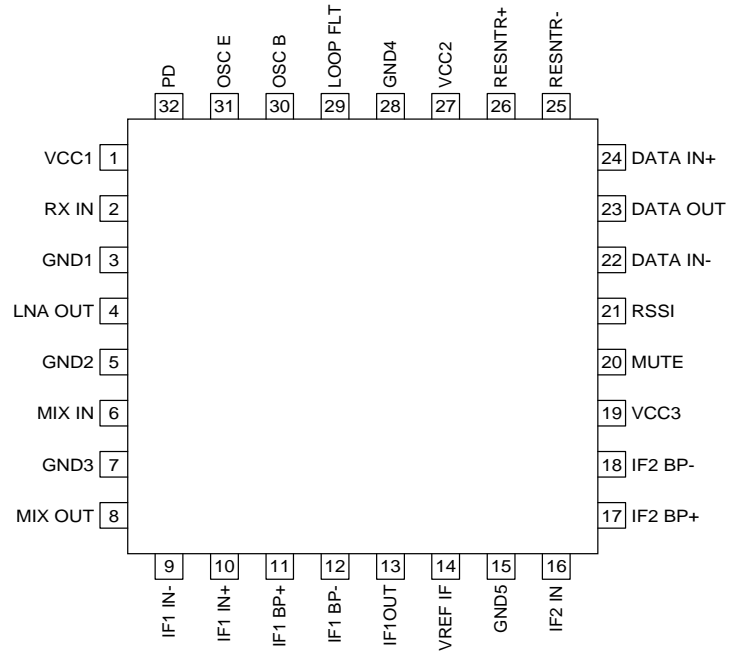
1. Design the loop filter for the minimum phase margin possible without causing loop instability problems; this allows C to be kept at a minimum.
2. Design the loop filter for the highest loop cut frequency possible without distorting low frequency modulation components; this also allows C to be kept at a minimum.

For additional applications information, refer to the following technical articles.

TA0031 "Frequency Synthesis Using the RF2510"

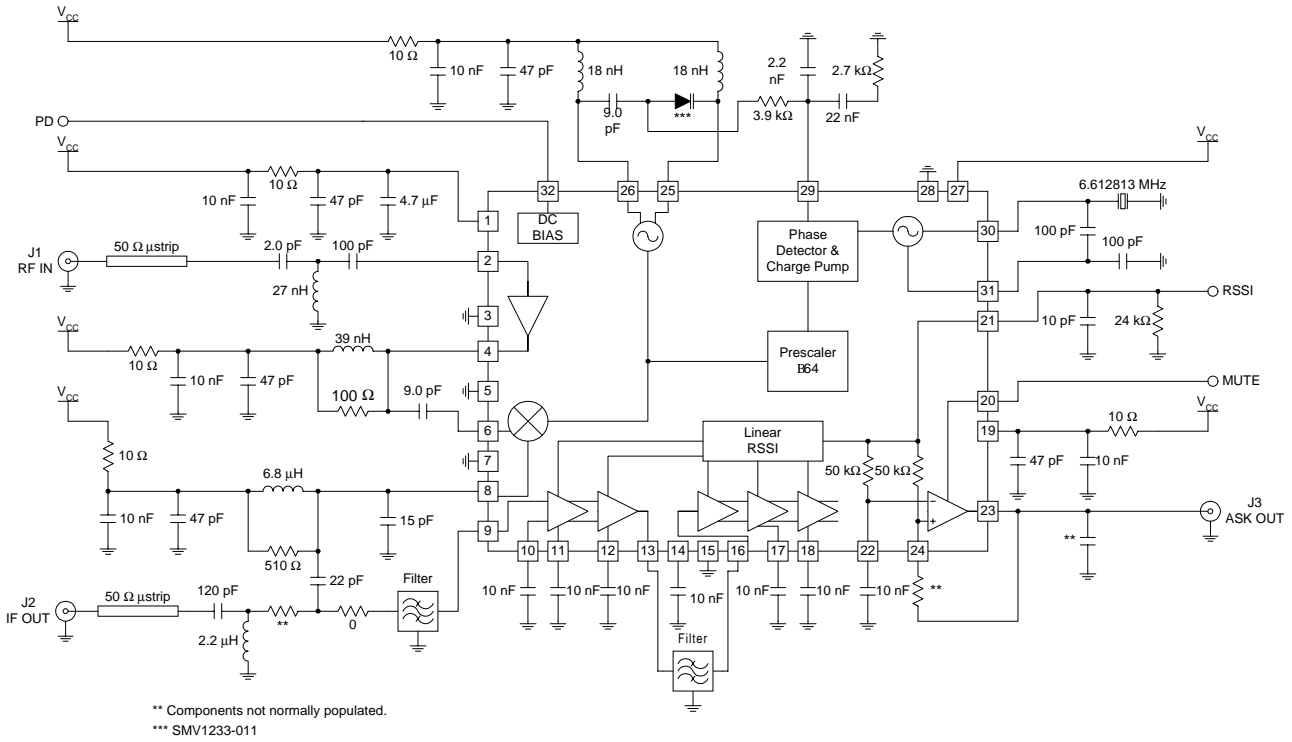
DK1000 "ASK Transmit and Receive Chip Set"

Pin Out

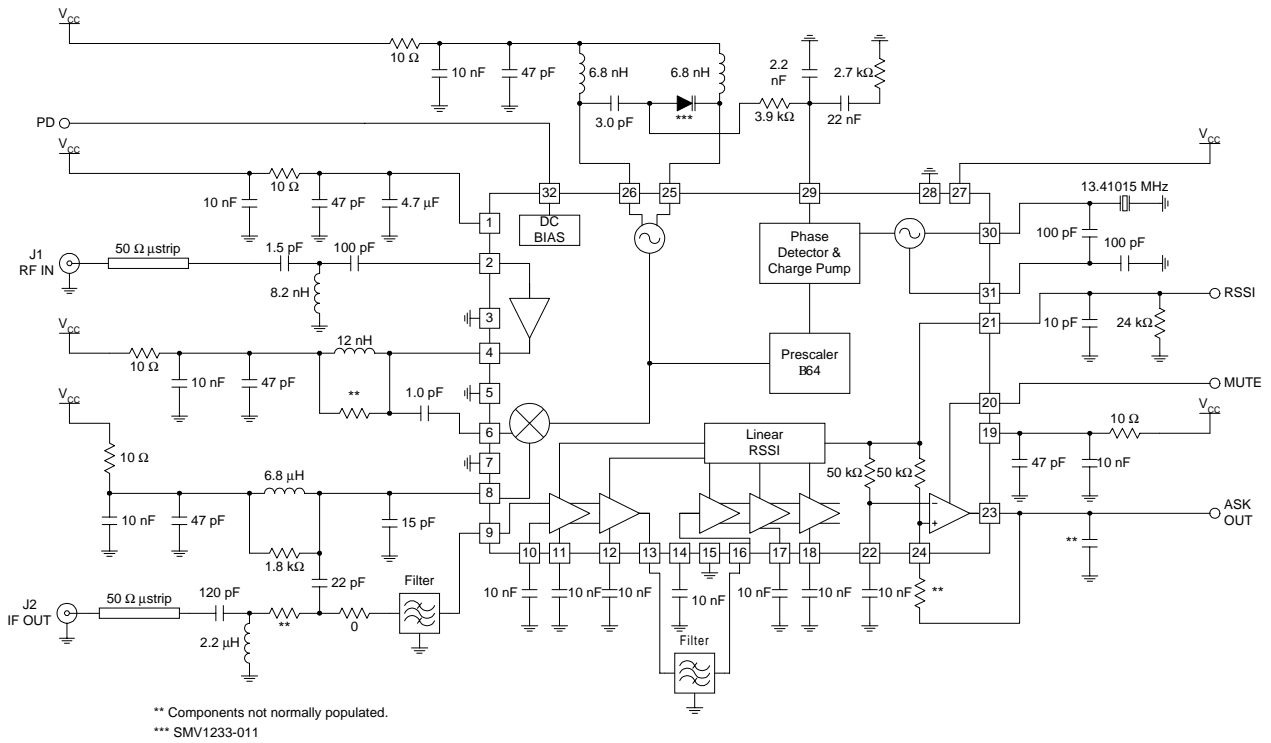


RF2919

Application Schematic 433MHz

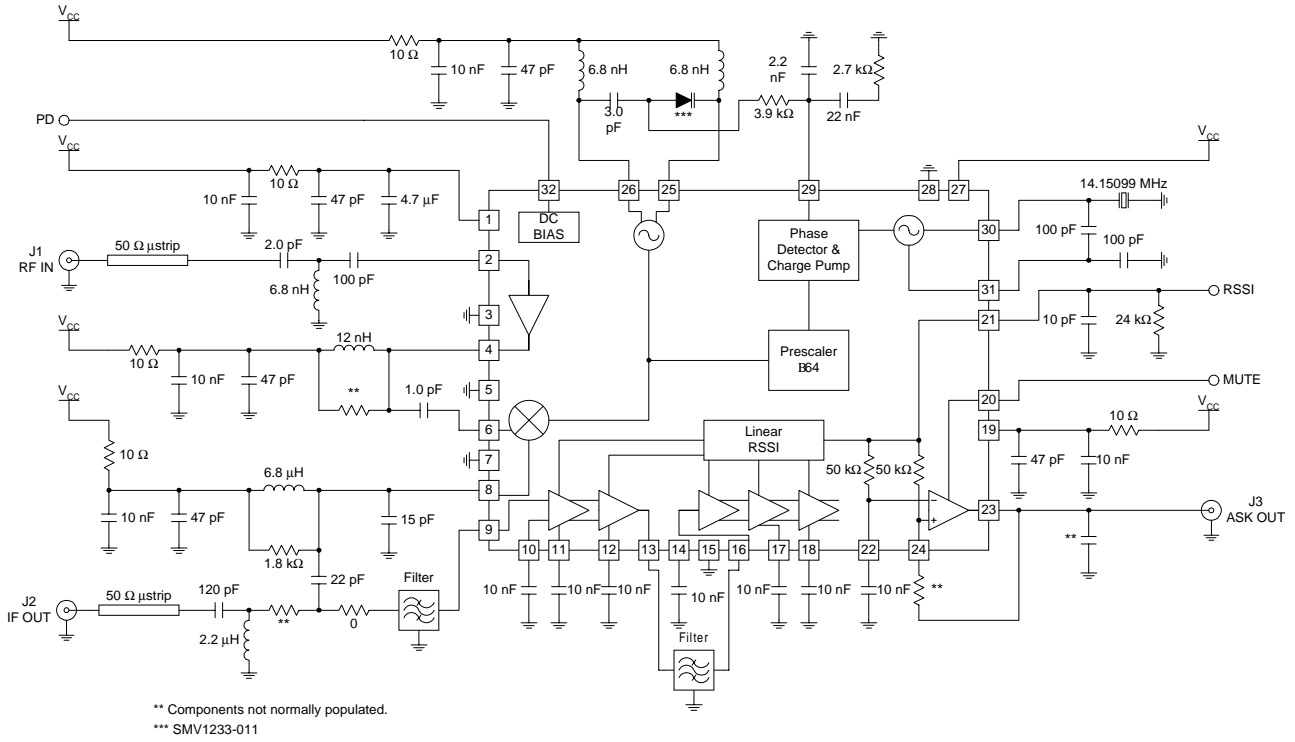


Application Schematic 868MHz

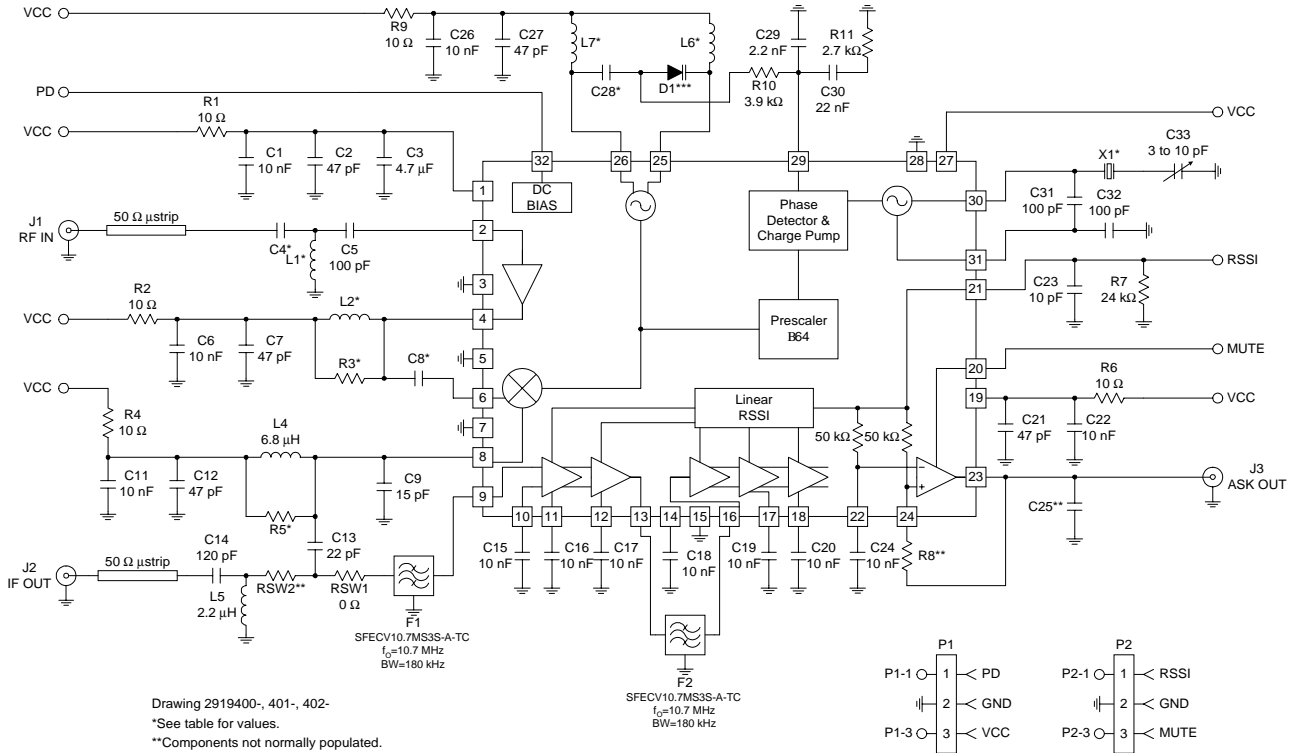


RF2919

Application Schematic 915MHz



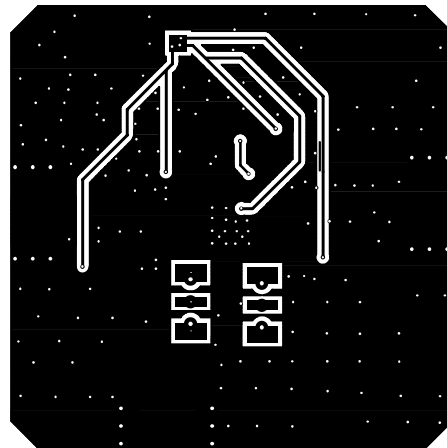
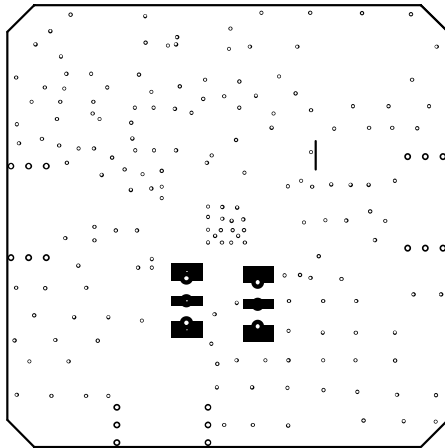
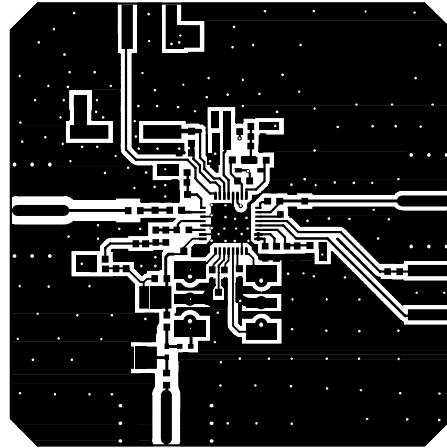
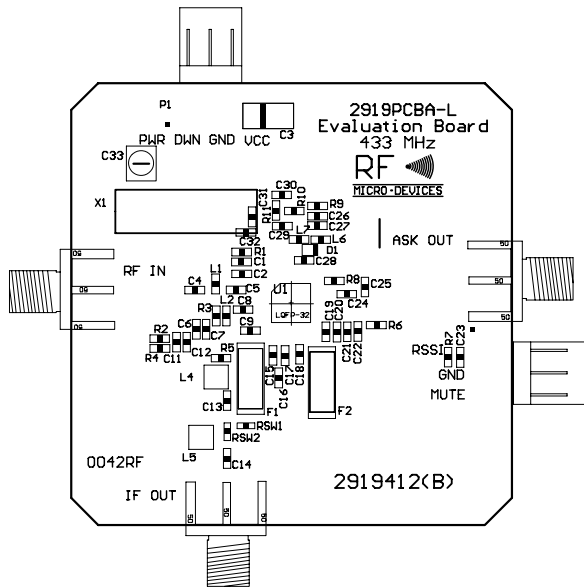
Evaluation Board Schematic H (915MHz), M (868MHz), L (433MHz) Boards (Download [Bill of Materials](http://www.rfmd.com) from www.rfmd.com.)



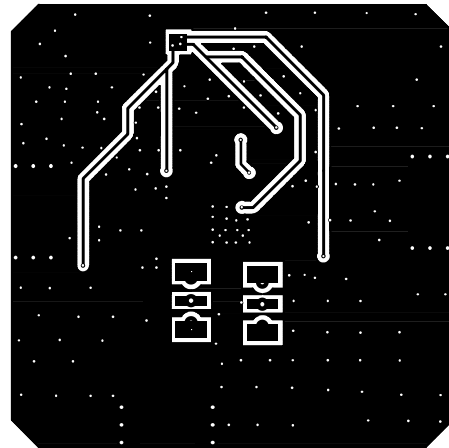
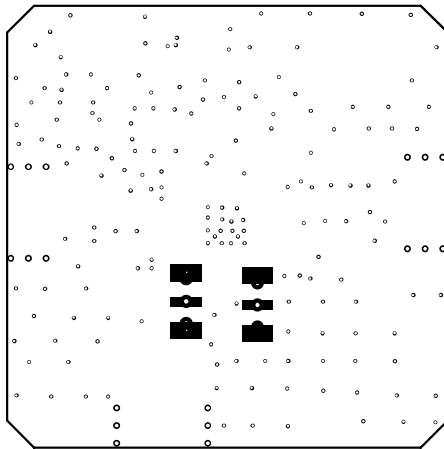
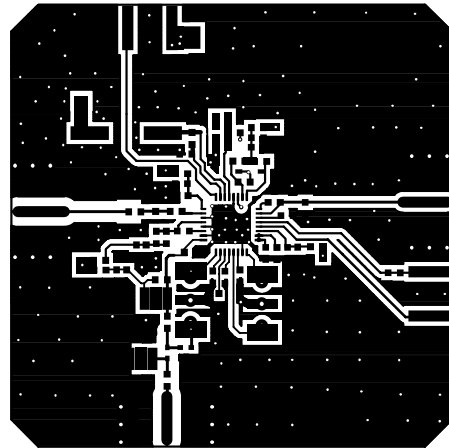
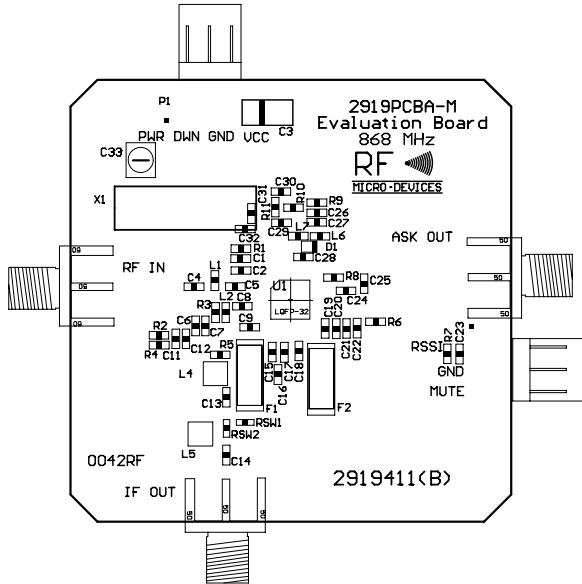
Board	C4 (pF)	L1 (nH)	L2 (nH)	C8 (pF)	L6 (nH)	L7 (nH)	C28 (pF)	X1 (MHz)	R3 (Ω)	R5 (Ω)
L (433MHz)	2.0	27	39	9.0	18	18	9.0	6.612813	100	510
M (868MHz)	1.5	8.2	12	1.0	6.8	6.8	3.0	13.41015	**	1.8 k
H (915MHz)	2.0	6.8	12	1.0	6.8	6.8	3.0	14.15099	**	1.8 k

RF2919

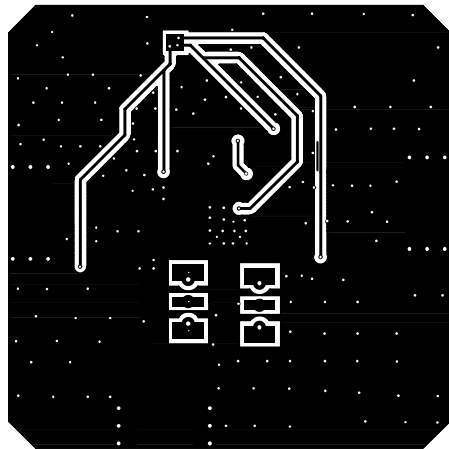
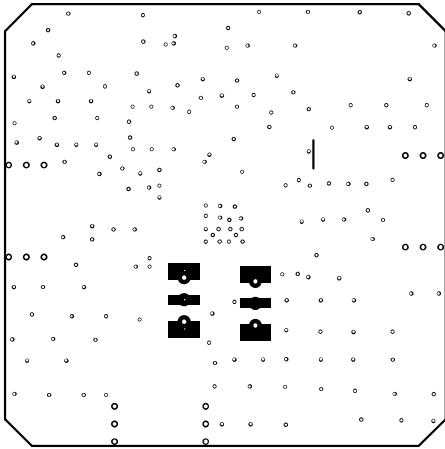
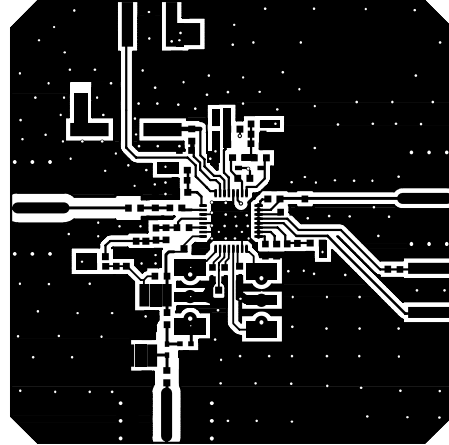
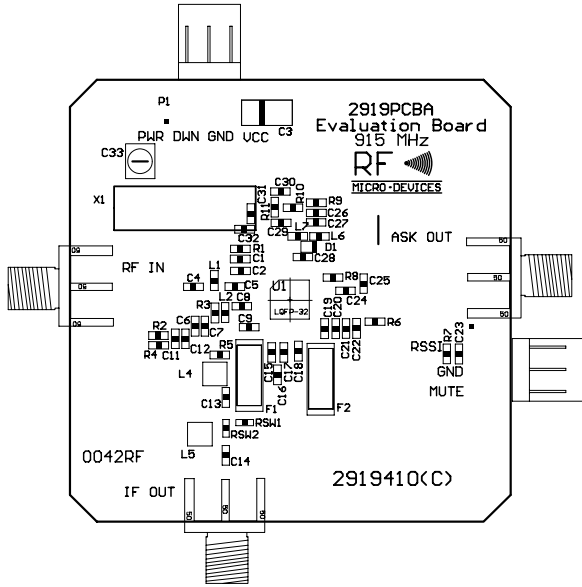
Evaluation Board Layout - 433MHz
Board Size 2.0" x 2.0"
Board Thickness 0.040", Board Material FR-4, Multi-Layer

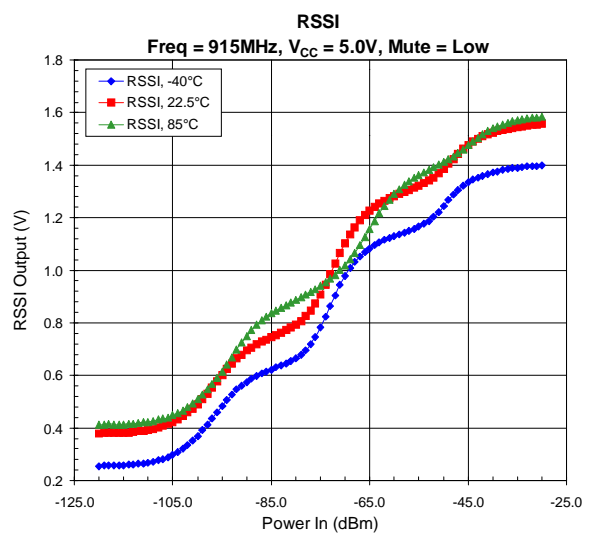
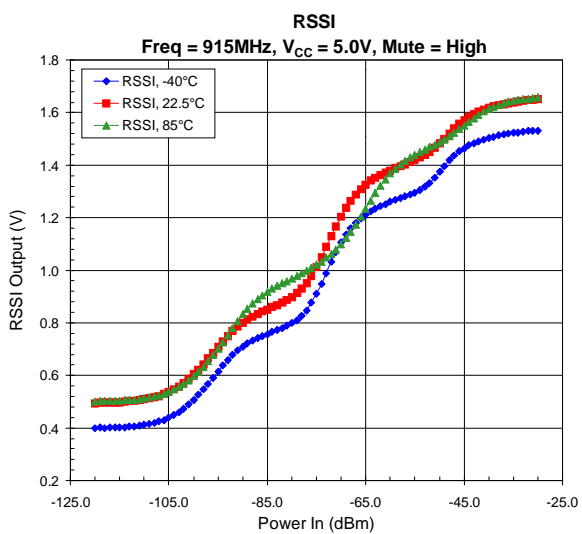
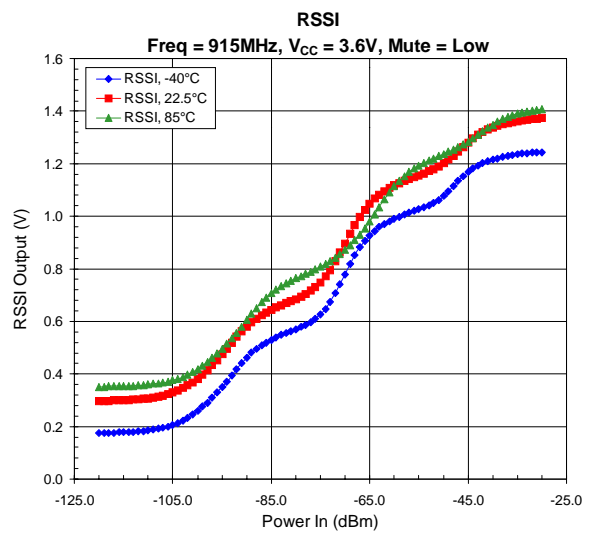
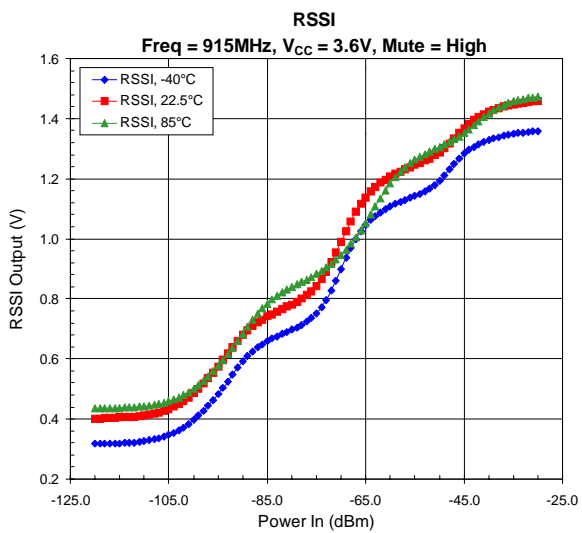
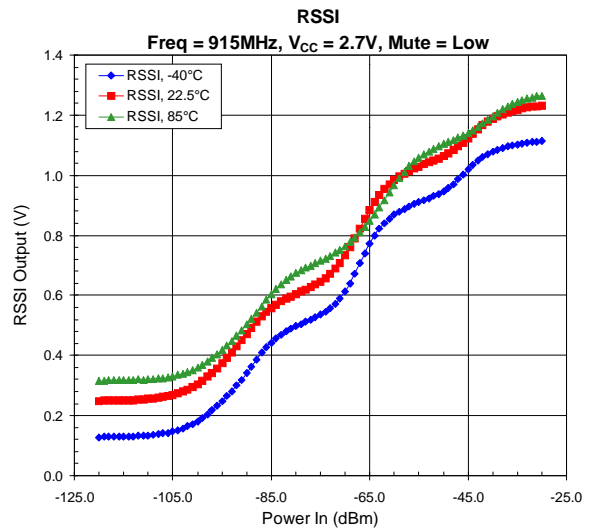
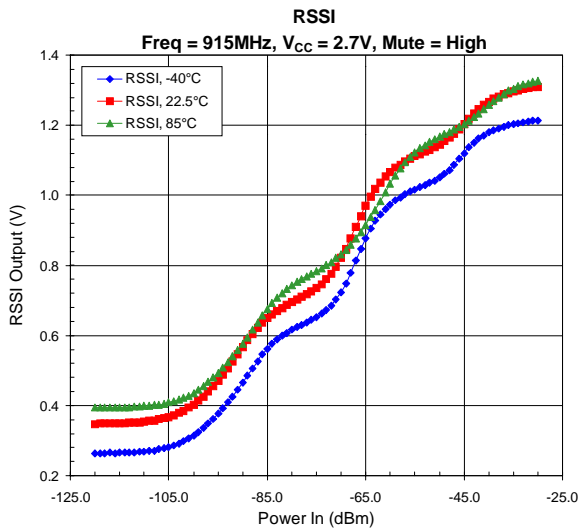


Evaluation Board Layout - 868MHz



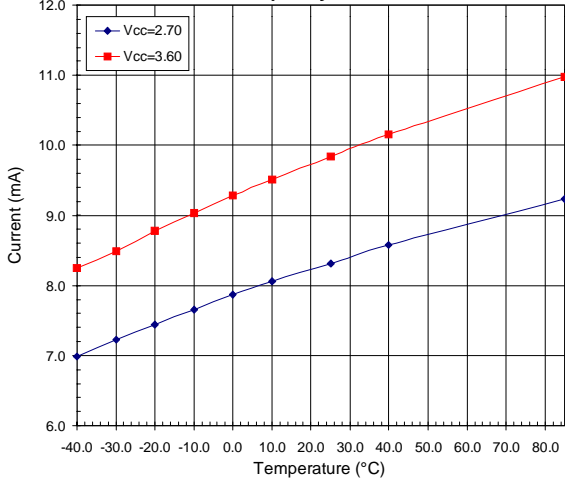
Evaluation Board Layout - 915MHz



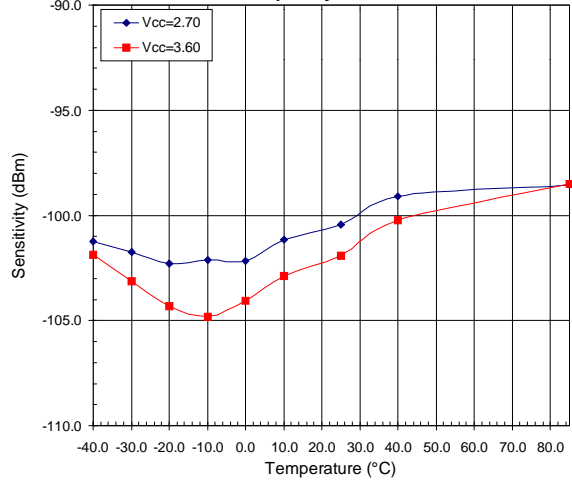


RF2919

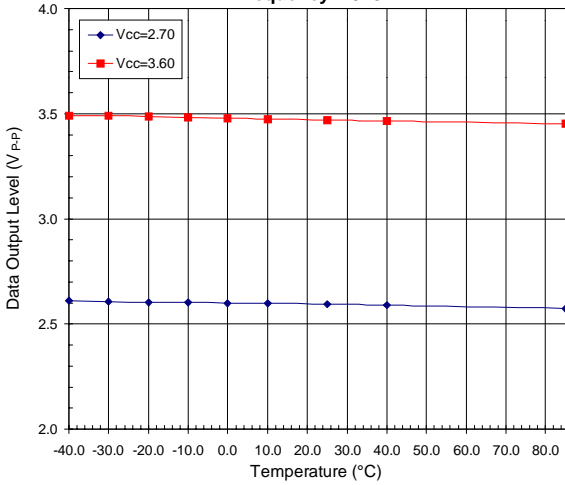
Current versus Temperature
RX Frequency = 915MHz



Sensitivity versus Temperature
RX Frequency = 915MHz



Data Output Level versus Temperature
RX Frequency = 915MHz



LNA Impedance

