

Dual precision monostable multivibrator

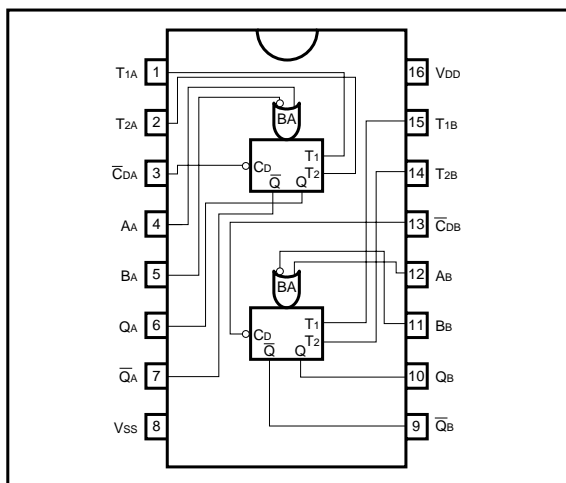
BU4538B

The BU4538B is a monostable multivibrator that can be reset and retriggered. It is triggered from either edge of an input pulse. As the output pulse width and accuracy are determined by the external timing constants C_x and R_x , a wide range of accurate output pulse widths is available. Linear CMOS technology makes it possible to control the output pulse width with greater accuracy. Determination is made based on $t_{wOUT} = R_x \cdot C_x$ throughout the entire power supply voltage range, eliminating the necessity for other coefficients.

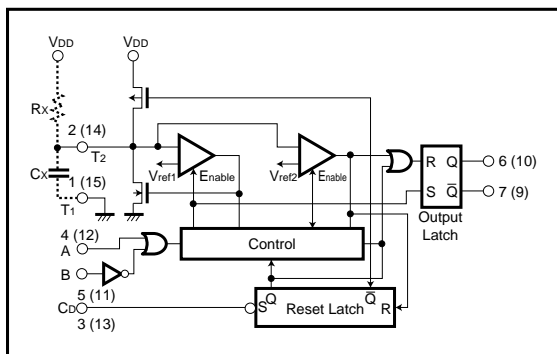
●Features

- 1) Low power dissipation.
- 2) Wide range of operating power supply voltages.
- 3) High input impedance.
- 4) High fan-out.
- 5) Direct drive of 2 L-TTL inputs and 1 LS-TTL input.

●Block diagram



●Logic circuit diagram



●Truth table

INPUT			OUTPUT	
A	B	C _D	Q	Q̄
↑	H	H	⌊	⌋
↑	L	H	L	H
H	↑	H	L	H
L	↑	H	⌊	⌋
X	X	L	L	H

●Absolute maximum ratings ($T_a = 25^\circ\text{C}$, $V_{SS} = 0\text{V}$)

Parameter	Symbol	Limits	Unit
Power supply voltage	V_{DD}	- 0.3 ~ + 18	V
Power dissipation	P_d	1000 (DIP)	mW
Operating temperature	T_{opr}	- 40 ~ + 85	$^\circ\text{C}$
Storage temperature	T_{stg}	- 55 ~ + 150	$^\circ\text{C}$
Input voltage	V_{IN}	- 0.3 ~ $V_{DD} + 0.3$	V

●Electrical characteristics

DC characteristics (unless otherwise noted, $T_a = 25^\circ\text{C}$, $V_{SS} = 0\text{V}$)

Parameter	Symbol	Min.	Typ.	Max.	Unit	Conditions	
						V_{DD} (V)	
Input high level voltage	V_{IH}	3.5	—	—	V	5	—
		7.0	—	—		10	
		11.0	—	—		15	
Input low level voltage	V_{IL}	—	—	1.5	V	5	—
		—	—	3.0		10	
		—	—	4.0		15	
Input high level current	I_{IH}	—	—	0.3	μA	15	$V_{IH} = 15\text{V}$
Input low level current	I_{IL}	—	—	- 0.3	μA	15	$V_{IL} = 0\text{V}$
Output high level voltage	V_{OH}	4.95	—	—	V	5	$I_o = 0\text{mA}$
		9.95	—	—		10	
		14.95	—	—		15	
Output low level voltage	V_{OL}	—	—	0.05	V	5	$I_o = 0\text{mA}$
		—	—	0.05		10	
		—	—	0.05		15	
Output high level current	I_{OH}	- 0.16	—	—	mA	5	$V_{OH} = 4.6\text{V}$
		- 0.4	—	—		10	$V_{OH} = 9.5\text{V}$
		- 1.2	—	—		15	$V_{OH} = 13.5\text{V}$
Output low level current	I_{OL}	0.44	—	—	mA	5	$V_{OL} = 0.4\text{V}$
		1.1	—	—		10	$V_{OL} = 0.5\text{V}$
		3.0	—	—		15	$V_{OL} = 1.5\text{V}$
Static current dissipation	I_{DD}	—	—	20	μA	5	$V_I = V_{DD}$ or GND
		—	—	40		10	
		—	—	80		15	

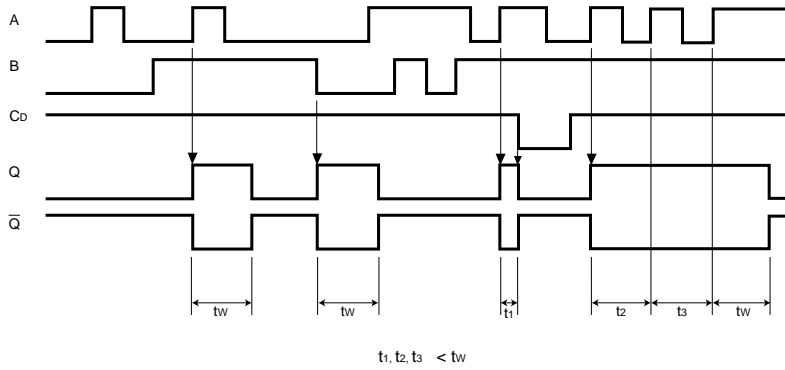
Switching characteristics (unless otherwise noted, Ta = 25°C, CL = 50pF, VSS = 0V)

Parameter	Symbol	Min.	Typ.	Max.	Unit	VDD (V)	Conditions
Output rise time	t _{TLH}	—	100	—	ns	5	—
		—	50	—		10	
		—	40	—		15	
Output fall time	t _{THL}	—	100	—	ns	5	—
		—	50	—		10	
		—	40	—		15	
Propagation delay time A, B to Q, \bar{Q}	t _{PLH} t _{PHL}	—	300	—	ns	5	—
		—	150	—		10	
		—	100	—		15	
Propagation delay time C _D to Q, \bar{Q}	t _{PLH} t _{PHL}	—	250	—	ns	5	—
		—	125	—		10	
		—	95	—		15	
Minimum input pulse width	t _{WIN}	—	50	—	ns	5	—
		—	30	—		10	
		—	25	—		15	
Output pulse width 1	t _{WOUT1}	185	200	215	μs	5	Cx = 2000pF, Rx = 100kΩ
		185	200	215		10	
		185	200	215		15	
Output pulse width 2	t _{WOUT2}	8.8	9.4	10.0	ms	5	Cx = 0.1μF, Rx = 100kΩ
		8.8	9.4	10.0		10	
		8.8	9.4	10.0		15	
Minimum retrigger time	t _{rr}	—	0	—	ns	5	—
		—	0	—		10	
		—	0	—		15	
Input capacitance	C _{IN}	—	5	—	pF	—	—

●Recommended operating conditions

Parameter	Symbol	Min.	Typ.	Max.	Unit	Conditions
External timing resistance	R _x	5	—	1000	kΩ	—
External timing capacitance	C _x	No Limit			pF	—

●Timing chart



●Measurement circuits

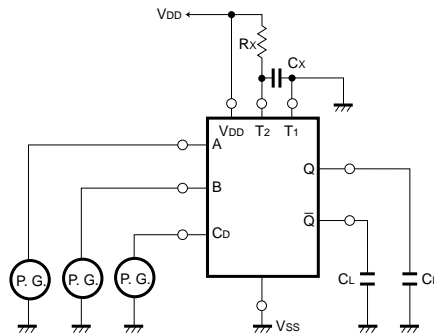


Fig. 1 (a) Switching time

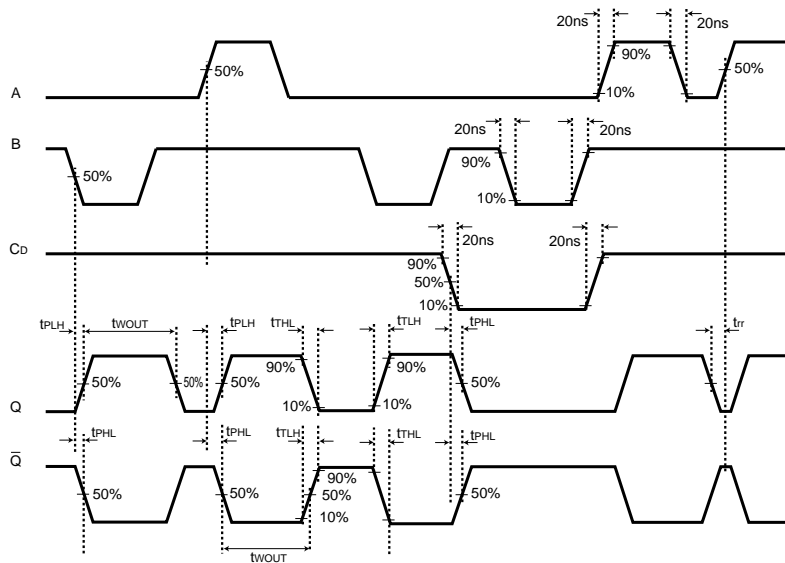


Fig. 1 (b) Switching time measurement waveforms

●Electrical characteristic curve

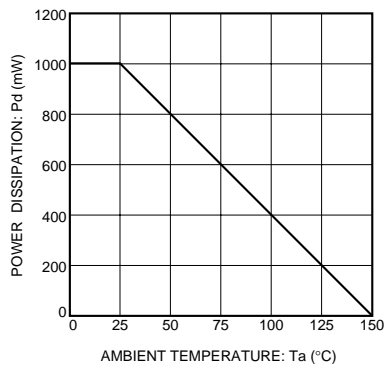


Fig. 2 Power dissipation vs. Ta

●External dimensions (Units: mm)

