



## Printheads

---

### ●Characteristics

| Parameter                                       | Symbol          | Typical              | Unit        |
|---|-----------------|----------------------|-------------|
| Effective printing width                        | -               | 108.4                | mm          |
| Dot pitch                                       | -               | 0.0847               | mm          |
| Total dot number                                | -               | 1280                 | dots        |
| Average resistance value                        | Rave            | 1250                 | $\Omega$    |
| Applied voltage                                 | V <sub>H</sub>  | 24                   | V           |
| Applied power                                   | P <sub>O</sub>  | 0.41                 | W / dot     |
| Print cycle                                     | SLT             | 0.83                 | ms          |
| Pulse width                                     | T <sub>ON</sub> | 0.28                 | ms          |
| Maximum number of dots energized simultaneously | -               | 1280                 | dots        |
| Maximum clock frequency                         | -               | 10                   | MHz         |
| Maximum roller diameter                         | -               | 20                   | mm          |
| Running life / pulse life                       | -               | 50 / 10 <sup>8</sup> | km / pulses |
| Operating temperature                           | -               | 60                   | °C          |

### ●Pin configuration

#### HIROSE

| No. | Circuit | No. | Circuit  |
|-----|---------|-----|----------|
| 1   | GND     | 2   | VDD      |
| 3   | DI 2    | 4   | CLK (CP) |
| 5   | /LAT    | 6   | /STB 2   |
| 7   | NC      | 8   | DI 1     |
| 9   | /STB 1  | 10  | NC       |
| 11  | TM      | 12  | TM       |
| 13  | SENS 3  | 14  | SENS 2   |
| 15  | SENS 1  | 16  | BEO      |
| 17  | NC      | 18  | NC       |
| 19  | NC      | 20  | NC       |
| 21  | NC      | 22  | NC       |
| 23  | NC      | 24  | NC       |
| 25  | NC      | 26  | NC       |

#### JST

| No. | Circuit |
|-----|---------|
| 1   | COM     |
| 2   | COM     |
| 3   | COM     |
| 4   | GND     |
| 5   | GND     |
| 6   | GND     |

Printheads

●Timing chart

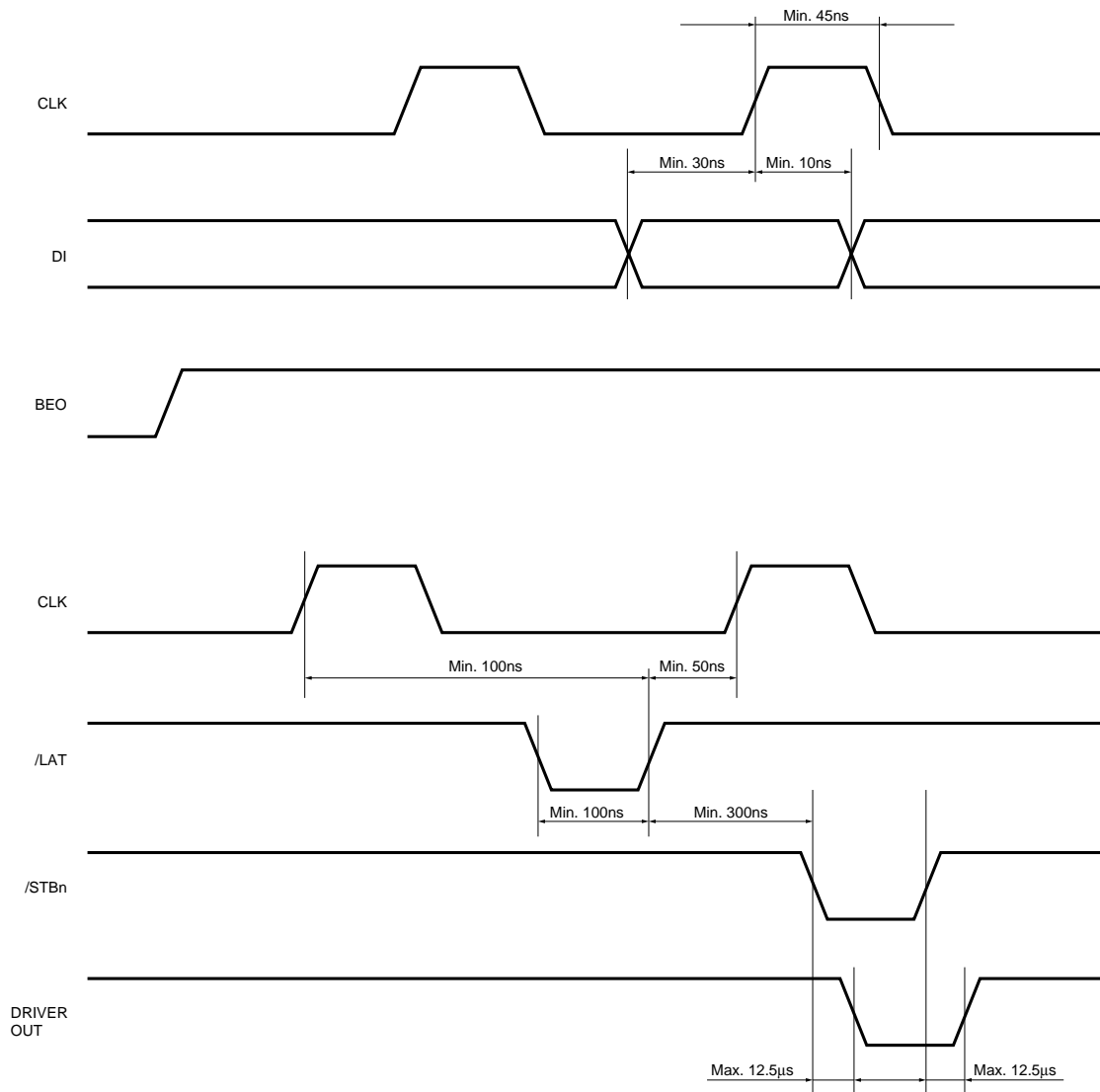
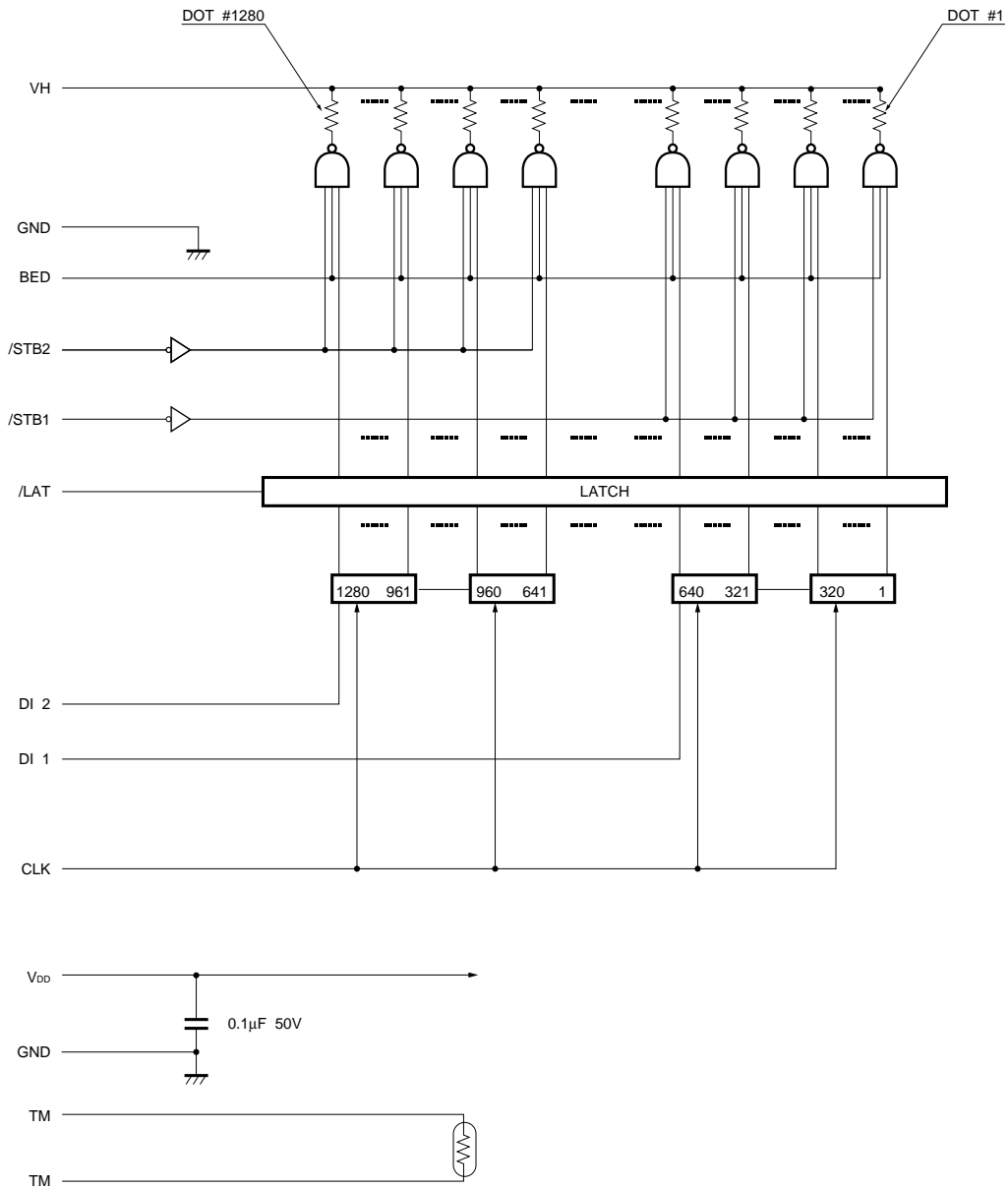


Fig.1

Printheads

●Equivalent circuit



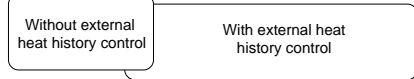
| DI No. | DOT No.  | /STB No. | DOT No.  |
|--------|----------|----------|----------|
| DI 2   | 1280~641 | /STB2    | 1280~641 |
| DI 1   | 640~1    | /STB1    | 640~1    |

Fig.2

Printheads

●Adaptation speed chart

| Inch / second [IPS] |   |   |   |   |   |   |   |   |   |    |      |
|---------------------|---|---|---|---|---|---|---|---|---|----|------|
| 0                   | 1 | 2 | 3 | 4 | 5 | 6 | 7 | 8 | 9 | 10 | OVER |



●Data sheet

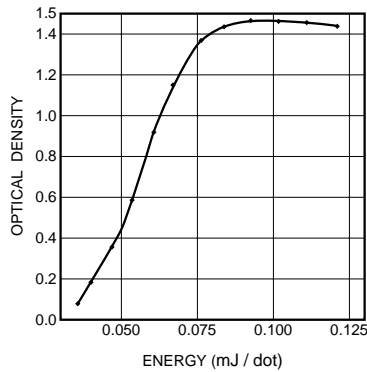


Fig. 3 Representative density curve

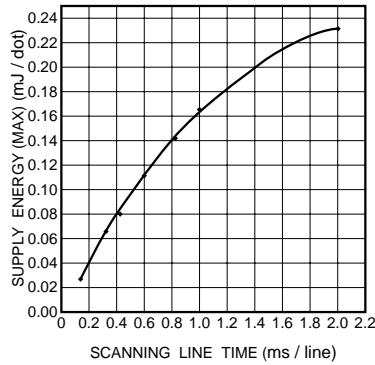


Fig. 4 Maximum energy curve

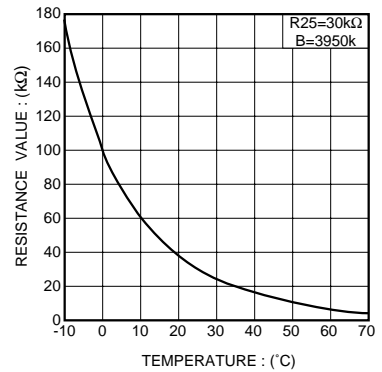


Fig. 5 Thermistor curve