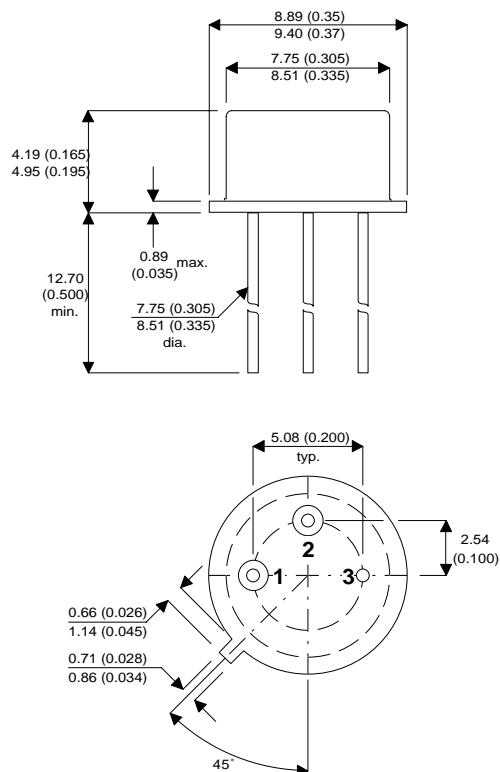


MECHANICAL DATA

Dimensions in mm (inches)



TO39 METAL PACKAGE

Underside View

PIN 1 – Emitter PIN 2 – Base PIN 3 – Collector

ABSOLUTE MAXIMUM RATINGS ($T_A = 25^\circ\text{C}$ unless otherwise stated)

V_{CBO}	Collector - Base Voltage	-60V
V_{CEO}	Collector - Emitter Voltage	-60V
V_{EBO}	Emitter - Base Voltage	-5V
I_C	Collector Current Continuous	600mA
P_D	Total Device Dissipation @ $T_A = 25^\circ\text{C}$	600mW
	Derate above 25°C	3.43mW / $^\circ\text{C}$
P_D	Total Device Dissipation @ $T_C = 25^\circ\text{C}$	3W
	Derate above 25°C	17.2mW / $^\circ\text{C}$
T_J, T_{STG}	Operating and Storage Junction Temperature Range	-65 to +200 $^\circ\text{C}$

THERMAL CHARACTERISTICS

$R_{\theta JA}$	Thermal Resistance, Junction to Ambient	292 $^\circ\text{C}/\text{W}$
$R_{\theta JC}$	Thermal Resistance, Junction to Case	58 $^\circ\text{C}/\text{w}$

**HIGH SPEED
MEDIUM POWER
PNP SWITCHING TRANSISTOR**

FEATURES

- SILICON PLANAR EPITAXIAL PNP TRANSISTOR
- HIGH SPEED SATURATED SWITCHING
- ALSO AVAILABLE IN CERAMIC SURFACE MOUNT PACKAGE

ELECTRICAL CHARACTERISTICS ($T_A = 25^\circ\text{C}$ unless otherwise stated)

Parameter	Test Conditions	Min.	Typ.	Max.	Unit
OFF CHARACTERISTICS					
$V_{(BR)CEO}^1$	Collector – Emitter Breakdown Voltage	$I_C = -10\text{mA}$ $I_B = 0$	-60		V
$V_{(BR)CBO}$	Collector – Base Breakdown Voltage	$I_C = -10\mu\text{A}$ $I_E = 0$	-60		V
$V_{(BR)EBO}$	Emitter – Base Breakdown Voltage	$I_E = -10\mu\text{A}$ $I_C = 0$	-5		V
I_{CEX}	Collector Cut-off Current	$V_{CE} = -30\text{V}$ $V_{BE} = -0.5\text{V}$		-50	nA
I_{CBO}	Collector Cut-off Current	$I_E = 0$ $V_{CB} = -50\text{V}$ $T_A = 150^\circ\text{C}$		-0.01 -10	μA
I_B	Base Current	$V_{CE} = -30\text{V}$ $V_{BE} = -0.5\text{V}$		-50	nA
ON CHARACTERISTICS					
$V_{CE(sat)}^1$	Collector – Emitter Saturation Voltage	$I_C = -150\text{mA}$ $I_B = -15\text{mA}$ $I_C = -500\text{mA}$ $I_B = -50\text{mA}$		-0.4 -1.6	V
$V_{BE(sat)}$	Base – Emitter Saturation Voltage	$I_C = -150\text{mA}$ $I_B = -15\text{mA}$ $I_C = -500\text{mA}$ $I_C = -50\text{mA}$		-1.3 -2.6	V
h_{FE}	DC Current Gain	$I_C = -0.1\text{mA}$ $V_{CE} = -10\text{V}$ $I_C = -1\text{mA}$ $V_{CE} = -10\text{V}$ $I_C = -10\text{mA}$ $V_{CE} = -10\text{V}$ $I_C = -150\text{mA}$ $V_{CE} = -10\text{V}^1$ $I_C = -500\text{mA}$ $V_{CE} = -10\text{V}^1$	75 100 100 100 50		— 300
SMALL SIGNAL CHARACTERISTICS					
f_T	Transition Frequency ²	$I_C = -50\text{mA}$ $V_{CE} = -20\text{V}$ $f = 100\text{MHz}$	200		MHz
C_{ob}	Output Capacitance	$V_{CB} = -10\text{V}$ $I_E = 0$ $f = 1.0\text{MHz}$		8	pF
C_{ib}	Input Capacitance	$V_{BE} = -2\text{V}$ $I_C = 0$ $f = 1.0\text{MHz}$		30	pF
SWITCHING CHARACTERISTICS					
t_{on}	Turn-On Time	$V_{CC} = -30\text{V}$		26	45
t_d	Delay Time	$I_C = -150\text{mA}$		6	10
t_r	Rise Time	$I_{B1} = -15\text{mA}$		20	40
t_{off}	Turn-Off Time	$V_{CC} = -6\text{V}$		70	100
t_s	Storage Time	$I_C = -150\text{mA}$		50	80
t_f	Fall Time	$I_{B1} = I_{B2} = -15\text{mA}$		20	30

NOTES:

- 1) Pulse test: $t_p \leq 300\mu\text{s}$, $\delta \leq 2\%$
- 2) f_T is defined as the frequency at which h_{FE} extrapolates to unity.