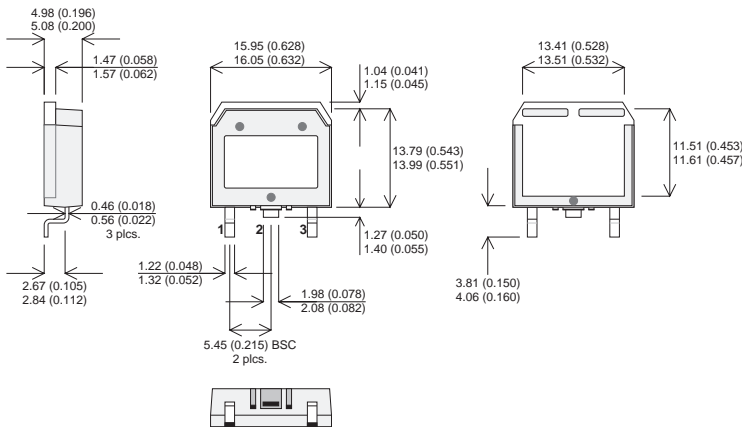


D³PAK Package Outline.
Dimensions in mm (inches)

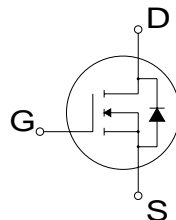
**N-CHANNEL
ENHANCEMENT MODE
HIGH VOLTAGE
POWER MOSFETS**



V_{DSS} 100V
I_{D(cont)} 75A
R_{DS(on)} 0.019Ω

Pin 1 – Gate **Pin 2 – Drain** **Pin 3 – Source**
Heatsink is Drain.

- **Faster Switching**
- **Lower Leakage**
- **100% Avalanche Tested**
- **Surface Mount D³PAK Package**



StarMOS is a new generation of high voltage N-Channel enhancement mode power MOSFETs. This new technology minimises the JFET effect, increases packing density and reduces the on-resistance. StarMOS also achieves faster switching speeds through optimised gate layout.

ABSOLUTE MAXIMUM RATINGS (T_{case} = 25°C unless otherwise stated)

V _{DSS}	Drain – Source Voltage	100	V
I _D	Continuous Drain Current	75	A
I _{DM}	Pulsed Drain Current ¹	300	A
V _{GS}	Gate – Source Voltage	±20	V
V _{GSM}	Gate – Source Voltage Transient	±30	
P _D	Total Power Dissipation @ T _{case} = 25°C	370	W
	Derate Linearly	2.96	W/°C
T _J , T _{STG}	Operating and Storage Junction Temperature Range	-55 to 150	°C
T _L	Lead Temperature : 0.063" from Case for 10 Sec.	300	
I _{AR}	Avalanche Current ¹ (Repetitive and Non-Repetitive)	75	A
E _{AR}	Repetitive Avalanche Energy ¹	30	mJ
E _{AS}	Single Pulse Avalanche Energy ²	1500	

1) Repetitive Rating: Pulse Width limited by maximum junction temperature.
2) Starting T_J = 25°C, L = 0.53mH, R_G = 25Ω, Peak I_L = 75A

STATIC ELECTRICAL RATINGS ($T_{case} = 25^{\circ}C$ unless otherwise stated)

	Characteristic	Test Conditions	Min.	Typ.	Max.	Unit
BV_{DSS}	Drain – Source Breakdown Voltage	$V_{GS} = 0V, I_D = 250\mu A$	100			V
I_{DSS}	Zero Gate Voltage Drain Current ($V_{GS} = 0V$)	$V_{DS} = V_{DSS}$			250	μA
		$V_{DS} = 0.8V_{DSS}, T_C = 125^{\circ}C$			1000	
I_{GSS}	Gate – Source Leakage Current	$V_{GS} = \pm 30V, V_{DS} = 0V$			± 100	nA
$V_{GS(TH)}$	Gate Threshold Voltage	$V_{DS} = V_{GS}, I_D = 1.0mA$	2		4	V
$I_{D(ON)}$	On State Drain Current ²	$V_{DS} > I_{D(ON)} \times R_{DS(ON)} \text{ Max}$ $V_{GS} = 10V$	75			A
$R_{DS(ON)}$	Drain – Source On State Resistance ²	$V_{GS} = 10V, I_D = 0.5 I_D [\text{Cont.}]$			0.019	Ω

DYNAMIC CHARACTERISTICS

	Characteristic	Test Conditions	Min.	Typ.	Max.	Unit
C_{iss}	Input Capacitance	$V_{GS} = 0V$		4650		pF
C_{oss}	Output Capacitance	$V_{DS} = 25V$		2000		
C_{rss}	Reverse Transfer Capacitance	$f = 1MHz$		820		
Q_g	Total Gate Charge ³	$V_{GS} = 10V$		195		nC
Q_{gs}	Gate – Source Charge	$V_{DD} = 0.5 V_{DSS}$		25		
Q_{gd}	Gate – Drain (“Miller”) Charge	$I_D = I_D [\text{Cont.}] @ 25^{\circ}C$		95		
$t_{d(on)}$	Turn-on Delay Time	$V_{GS} = 15V$		16		ns
t_r	Rise Time	$V_{DD} = 0.5 V_{DSS}$		32		
$t_{d(off)}$	Turn-off Delay Time	$I_D = I_D [\text{Cont.}] @ 25^{\circ}C$		50		
t_f	Fall Time	$R_G = 1.6\Omega$		20		

SOURCE – DRAIN DIODE RATINGS AND CHARACTERISTICS

	Characteristic	Test Conditions	Min.	Typ.	Max.	Unit
I_S	Continuous Source Current	(Body Diode)			75	A
I_{SM}	Pulsed Source Current ¹	(Body Diode)			300	
V_{SD}	Diode Forward Voltage ²	$V_{GS} = 0V, I_S = -I_D [\text{Cont.}]$			1.3	V
t_{rr}	Reverse Recovery Time	$I_S = -I_D [\text{Cont.}], di_S / dt = 100A/\mu s$		200		ns
Q_{rr}	Reverse Recovery Charge	$I_S = -I_D [\text{Cont.}], di_S / dt = 100A/\mu s$		1.4		μC

THERMAL CHARACTERISTICS

	Characteristic	Min.	Typ.	Max.	Unit
$R_{\theta JC}$	Junction to Case			0.34	$^{\circ}C/W$
$R_{\theta JA}$	Junction to Ambient			40	

1) Repetitive Rating: Pulse Width limited by maximum junction temperature.

2) Pulse Test: Pulse Width < 380 μs , Duty Cycle < 2%

3) See MIL-STD-750 Method 3471



CAUTION — Electrostatic Sensitive Devices. Anti-Static Procedures Must Be Followed.