

Especially suited for controlling speed of a low-voltage (3V min.) DC motor for cassette tape recorders, 8mm motion-picture cameras, record players

### Features

- Wide operating voltage range  
LA5528N : 1.8 to 10V  
LA5528NM : 1.8 to 6V
- Easy to vary speed
- Large starting torque
- Easy to control rotational speed from very low speed to high speed

### Maximum Ratings at Ta = 25°C

				unit
Maximum Supply Voltage	V <sub>CC</sub> max	LA5528N	12.0	V
		LA5528NM	8.0	V
Allowable Power Dissipation	Pd max	LA5528N	1.0	W
		LA5528NM	0.3	W
Operating Temperature	Topr		-20 to +80	°C
Storage Temperature	Tstg		-40 to +150	°C
Motor Current	I <sub>m</sub>	LA5528N	1000	mA
		LA5528NM	700	mA

### Operating Conditions at Ta = 25°C

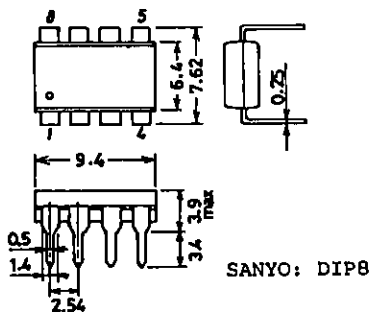
				unit
Recommended Supply Voltage	V <sub>CC</sub>	LA5528N	1.8 to 10	V
		LA5528NM	1.8 to 6	V
Recommended Operating Temperature	Topg		-10 to +60	°C

### Operating Characteristics at Ta = 25°C

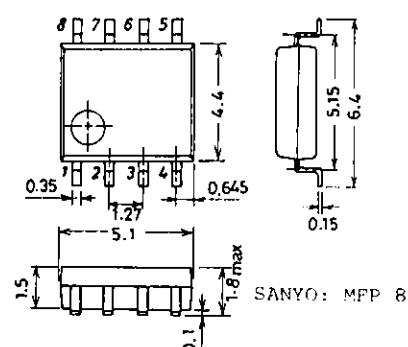
			min	typ	max	unit
Reference Voltage	V <sub>ref</sub>	V <sub>CC</sub> = 3V, I <sub>m</sub> = 100mA	1.15	1.25	1.3	V
Quiescent Current Dissipation	I <sub>d</sub>	V <sub>CC</sub> = 3V, I <sub>m</sub> = 100mA		3.0	6.0	mA
Shunt Ratio	K	V <sub>CC</sub> = 3V, I <sub>m</sub> = 50 - 150mA	45	50	55	

Continued on next page.

### Package Dimensions 3001B (unit: mm) [LA5528N]



### Package Dimensions 3232B (unit: mm) [LA5528NM]

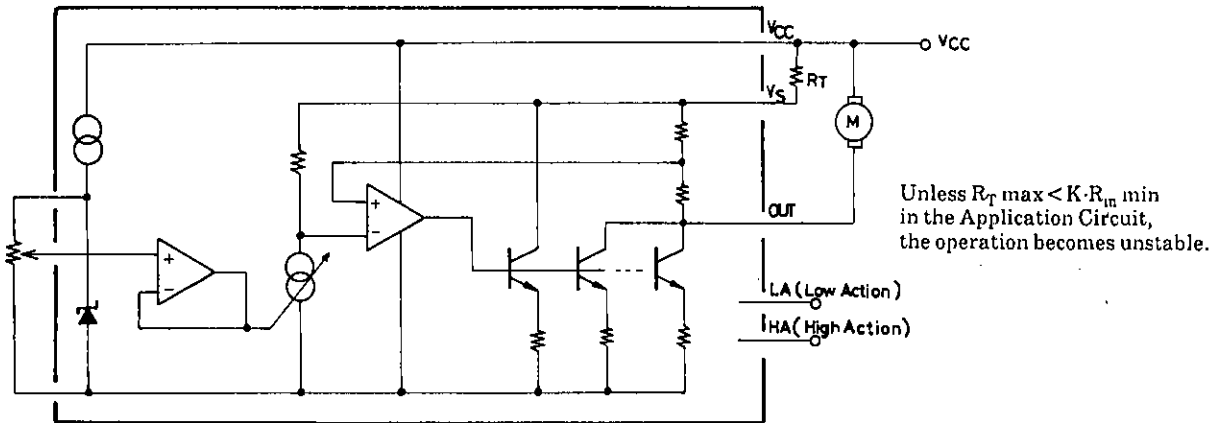


# LA5528N,5528NM

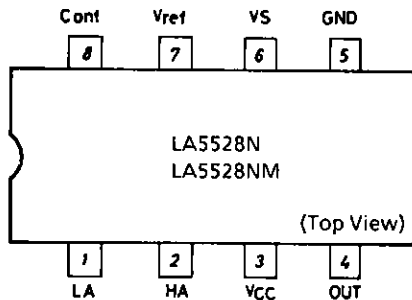
Continued from preceding page.

			min	typ	max	unit
Residual Voltage	$V_{sat}$	$V_{CC}=3V, I_m=200mA, V_{ref}=V_{cont}$		0.3	0.5	V
Voltage Characteristic of Reference Voltage	$\frac{\Delta V_{ref}}{V_{ref}} / \Delta V_{CC}$	LA5528N: $V_{CC}=1.8$ to $10V, I_m=100mA$ LA5528NM: $V_{CC}=1.8$ to $6V, I_m=100mA$		0.1	0.3	%/V
Voltage Characteristic of Shunt Ratio	$\frac{\Delta K}{K} / \Delta V_{CC}$	LA5528N: $V_{CC}=1.8$ to $10V, I_m=50-150mA$ LA5528NM: $V_{CC}=1.8$ to $6V, I_m=50-150mA$		0.25	0.5	%/V
Current Characteristic of Reference Voltage	$\frac{\Delta V_{ref}}{V_{ref}} / \Delta I_m$	$I_m=20$ to $200mA, V_{CC}=3V$		0.005	0.01	%/mA
Current Characteristic of Shunt Ratio	$\frac{\Delta K}{K} / \Delta I_m$	$I_m=20-50mA$ to $170-200mA, V_{CC}=3V$	-0.02	-0.005	0.02	%/mA
Temperature Characteristic of Reference Voltage	$\frac{\Delta V_{ref}}{V_{ref}} / \Delta T_a$	$V_{CC}=3V, I_m=100mA, T_a=-20$ to $+80^\circ C$		0.02		%/°C
Temperature Characteristic of Shunt Ratio	$\frac{\Delta K}{K} / \Delta T_a$	$V_{CC}=3V, I_m=50-150mA, T_a=-20$ to $+80^\circ C$	-0.002			%/°C
Bias Current at OFF-State	$I_{(st)}$	$V_{CC}=3V, R_L=100\Omega$		0.4	30	$\mu A$
HA ON-State Voltage	$V_{H(on)}$	$V_{CC}=3V, I_m=100mA$	1.8		$V_{CC}$	V
LA ON-State Voltage	$V_{L(on)}$	$V_{CC}=3V, I_m=100mA$	0		1.0	V

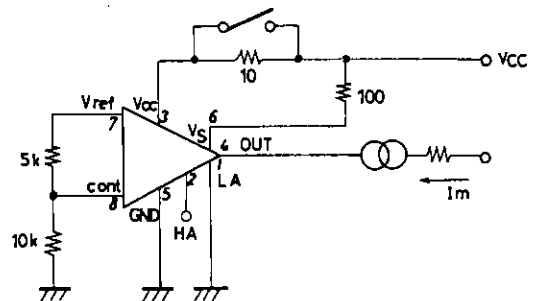
## Equivalent Circuit Block Diagram



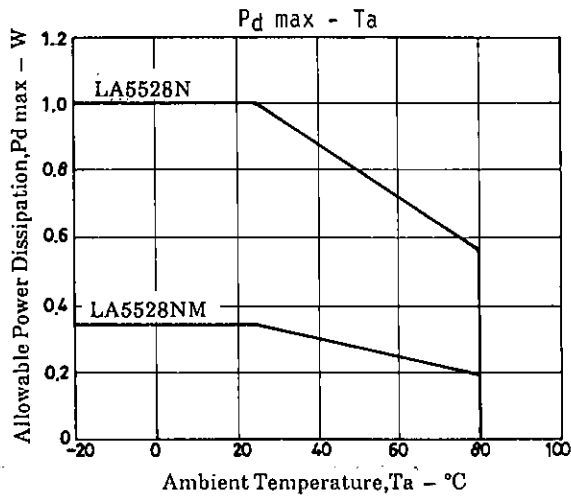
## Pin Assignment



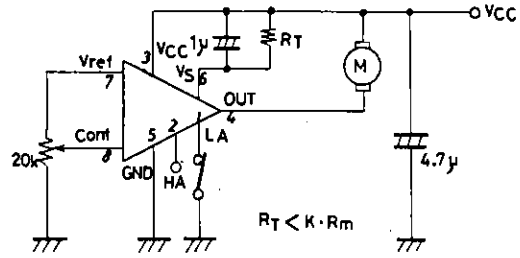
## Test Circuit



Unit (resistance:  $\Omega$ )



Application Circuit



■ No products described or contained herein are intended for use in surgical implants, life-support systems, aerospace equipment, nuclear power control systems, vehicles, disaster/crime-prevention equipment and the like, the failure of which may directly or indirectly cause injury, death or property loss.

■ Anyone purchasing any products described or contained herein for an above-mentioned use shall:

- ① Accept full responsibility and indemnify and defend SANYO ELECTRIC CO., LTD., its affiliates, subsidiaries and distributors and all their officers and employees, jointly and severally, against any and all claims and litigation and all damages, cost and expenses associated with such use;
- ② Not impose any responsibility for any fault or negligence which may be cited in any such claim or litigation on SANYO ELECTRIC CO., LTD., its affiliates, subsidiaries and distributors or any of their officers and employees jointly or severally.

■ Information (including circuit diagrams and circuit parameters) herein is for example only; it is not guaranteed for volume production. SANYO believes information herein is accurate and reliable, but no guarantees are made or implied regarding its use or any infringements of intellectual property rights or other rights of third parties.