

**SANYO**

No.2626A

**LA6501**

**Power Operational Amplifier**

**Features**

- . High output current ( $I_o \text{ max}=1.0\text{A}$ )
- . High gain
- . With current limiter
- . Capable of being operated from single supply

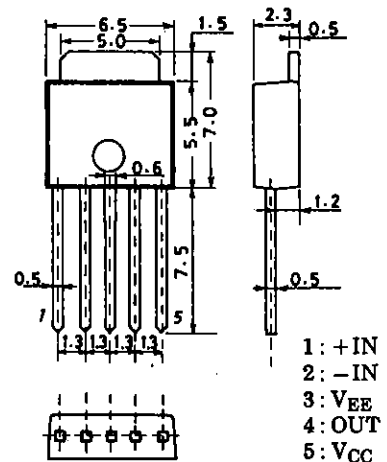
**Maximum Ratings at  $T_a=25^\circ\text{C}$**

|                             |                   |             | unit             |
|-----------------------------|-------------------|-------------|------------------|
| Maximum Supply Voltage      | $V_{CC}/V_{EE}$   | $\pm 18$    | V                |
| Differential Input Voltage  | $V_{IDIF}$        | 30          | V                |
| Common-Mode Input Voltage   | $V_{ICOM}$        | $\pm 14$    | V                |
| Output Current              | $I_o \text{ max}$ | 1.0         | A                |
| Allowable Power Dissipation | $P_d \text{ max}$ | 1           | W                |
| Operating Temperature       | $T_{opr}$         | -20 to +75  | $^\circ\text{C}$ |
| Storage Temperature         | $T_{stg}$         | -55 to +150 | $^\circ\text{C}$ |

**Operating Characteristics at  $T_a=25^\circ\text{C}, V_{CC}/V_{EE}=\pm 15\text{V}$**

|                                 |  | min | typ      | max | unit                   |
|---------------------------------|--|-----|----------|-----|------------------------|
| Quiescent Current Dissipation   | $I_{cco}$  |     | 6        |     | mA                     |
| Input Offset Voltage            | $V_{IO}$ $R_s \leq 10\text{kohms}$                               |     | 2        |     | mV                     |
| Input Offset Current            | $I_{IO}$   |     | 10       |     | nA                     |
| Input Bias Current              | $I_B$  |     | 100      |     | nA                     |
| Common-Mode Input Voltage Range | $V_{ICM}$  | -15 |          | +13 | V                      |
| Common-Mode Rejection           | CMR  |     | 80       |     | dB                     |
| Maximum Output Voltage          | $V_o$ $R_L=33\text{ohms}$  |     | $\pm 13$ |     | V                      |
| Voltage Gain                    | $V_{GO}$   |     | 100      |     | dB                     |
| Slew Rate                       | SR $G_v=0, R_L=33\text{ohms}, R=10\text{ohms}, L=0.1\mu\text{F}$ |     | 0.15     |     | V/ $\mu\text{s}$       |
| Equivalent Input Noise Voltage  | $V_{NI}$ $R_g=1\text{kohm}, \text{DIN Audio}$                    |     | 2        |     | $\mu\text{V}$          |
| Supply Voltage Rejection        | SVR  |     | 30       |     | $\mu\text{V}/\text{V}$ |
| Limiting Current                | $I_{sc}$   |     | 1.00     |     | A                      |

Package Dimensions 3103  
(unit : mm)

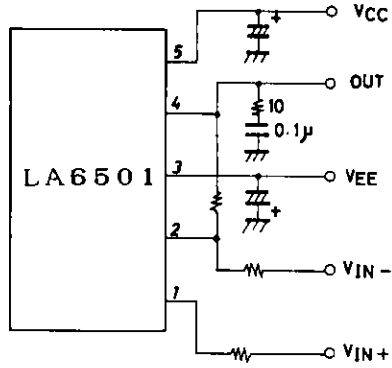


SANYO: TP6H

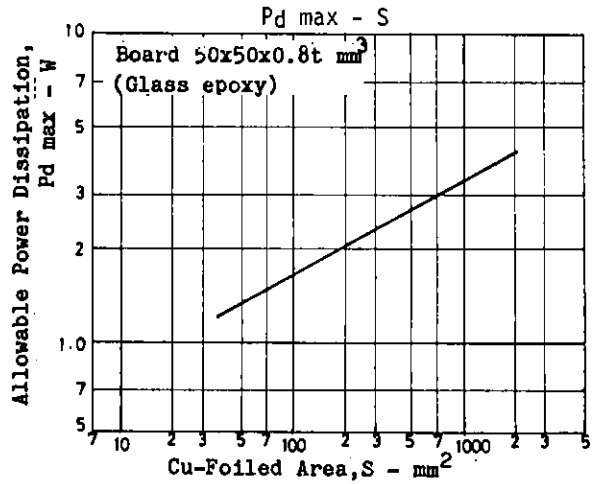
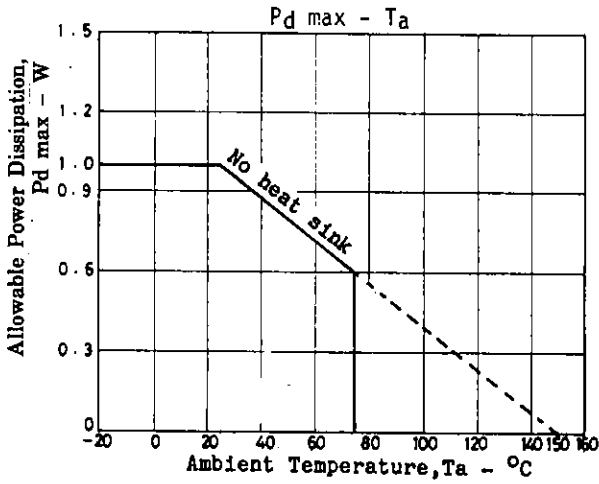
**SANYO Electric Co., Ltd. Semiconductor Business Headquarters**

TOKYO OFFICE Tokyo Bldg., 1-10, 1 Chome, Ueno, Taito-ku, TOKYO, 110 JAPAN

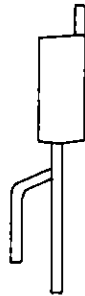
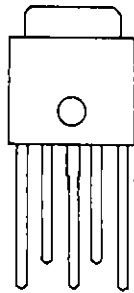
Sample Application Circuit



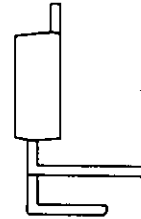
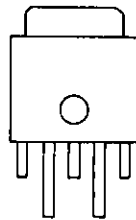
Unit (capacitance: F)



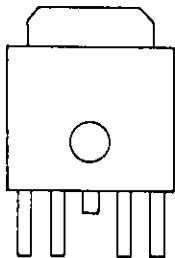
Lead Formings



MA forming



LR forming



FA forming

- No products described or contained herein are intended for use in surgical implants, life-support systems, aerospace equipment, nuclear power control systems, vehicles, disaster/crime-prevention equipment and the like, the failure of which may directly or indirectly cause injury, death or property loss.
- Anyone purchasing any products described or contained herein for an above-mentioned use shall:
  - ① Accept full responsibility and indemnify and defend SANYO ELECTRIC CO., LTD., its affiliates, subsidiaries and distributors and all their officers and employees, jointly and severally, against any and all claims and litigation and all damages, cost and expenses associated with such use:
  - ② Not impose any responsibility for any fault or negligence which may be cited in any such claim or litigation on SANYO ELECTRIC CO., LTD., its affiliates, subsidiaries and distributors or any of their officers and employees jointly or severally.
- Information (including circuit diagrams and circuit parameters) herein is for example only; it is not guaranteed for volume production. SANYO believes information herein is accurate and reliable, but no guarantees are made or implied regarding its use or any infringements of intellectual property rights or other rights of third parties.