

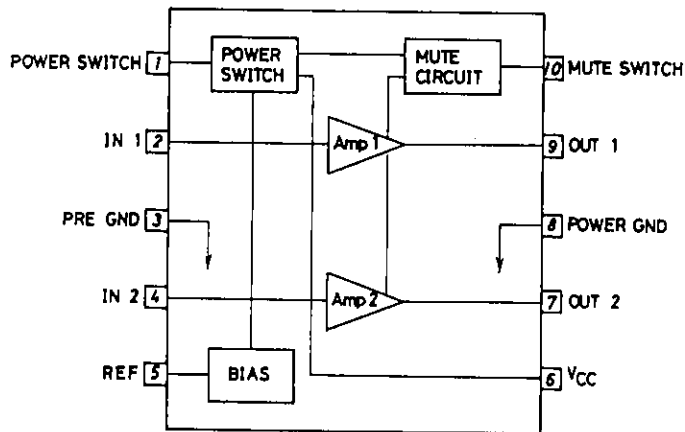
LA4537M

Continued from preceding page.

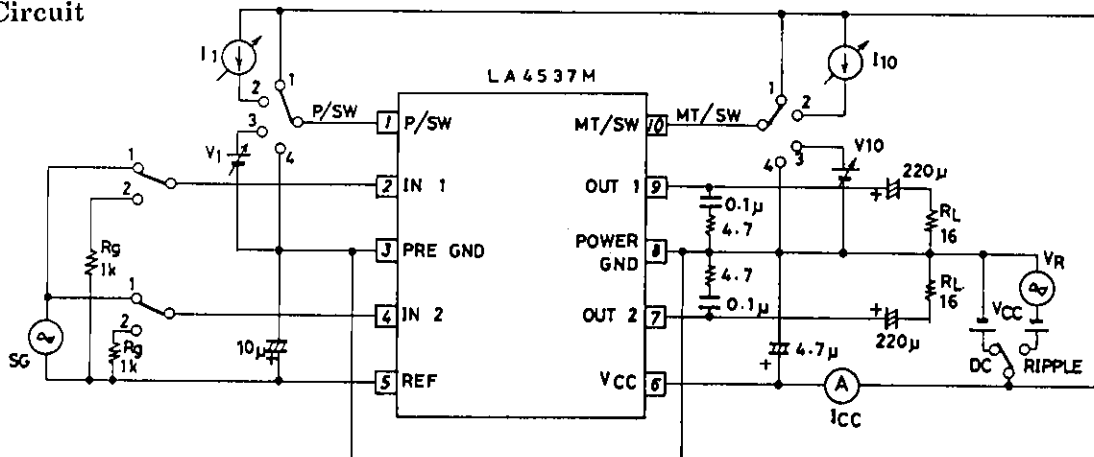
			min	typ	max	Unit
Output Noise Voltage	V_{NO}	$V_{CC}=2.5V, R_g=1k\Omega,$ $BPF=20Hz \text{ to } 20kHz$		55	80	μV
Power ON Current Sensitivity	I_1 (on)	$V_{CC}=0.85V, V_5 \geq 0.5V$		0.1	1.0	μA
Power OFF Voltage Sensitivity	V_1 (off)	$V_{CC}=0.85V, V_5 \leq 0.1V$	0.5	0.6		V
Muting OFF Current Sensitivity	I_{10} (off)	$V_{CC}=0.85V, V_5 \geq 0.5V$		0.1	1.0	μA
Muting ON Voltage Sensitivity	V_{10} (on)	$V_{CC}=0.85V, V_5 \leq 0.1V$	0.5	0.6		V

Note) The quiescent current is represented by the current flowing into pin 6. The respective maximum currents flowing into pin 1 and pin 10 are calculated by $(\text{pin voltage} - 0.5) / 16 [V/k\Omega]$ and the total current increases by these current values.

Equivalent Circuit Block Diagram

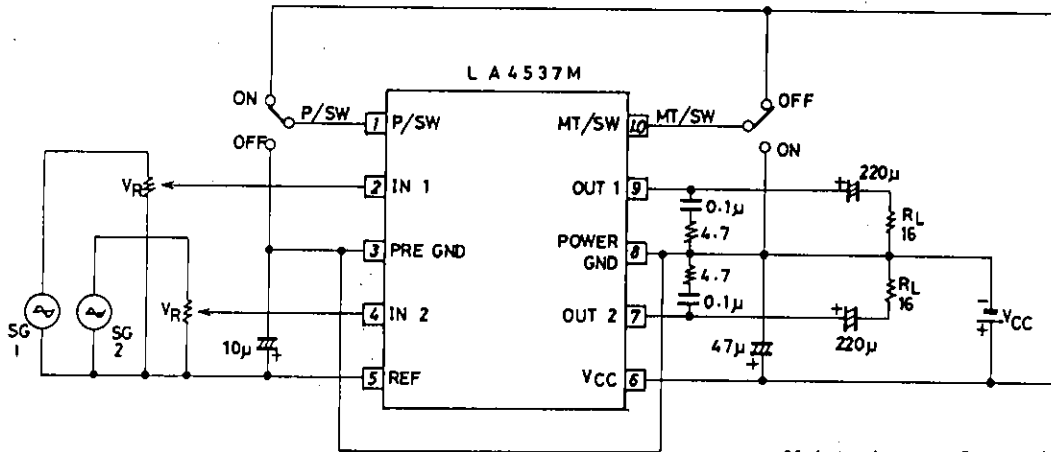


Test Circuit



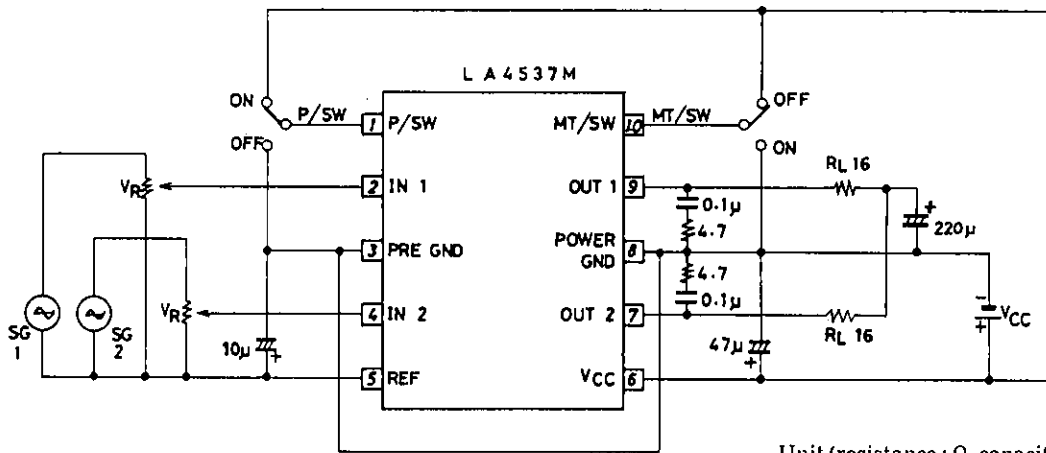
Unit (resistance : Ω , capacitance : F)

Sample Application Circuit 1
(Standard)



Unit (resistance : Ω, capacitance : F)

Sample Application Circuit 2
(Output capacitor shared)



Unit (resistance : Ω, capacitance : F)

■ No products described or contained herein are intended for use in surgical implants, life-support systems, aerospace equipment, nuclear power control systems, vehicles, disaster/crime-prevention equipment and the like, the failure of which may directly or indirectly cause injury, death or property loss.

■ Anyone purchasing any products described or contained herein for an above-mentioned use shall:

- ① Accept full responsibility and indemnify and defend SANYO ELECTRIC CO., LTD., its affiliates, subsidiaries and distributors and all their officers and employees, jointly and severally, against any and all claims and litigation and all damages, cost and expenses associated with such use:
- ② Not impose any responsibility for any fault or negligence which may be cited in any such claim or litigation on SANYO ELECTRIC CO., LTD., its affiliates, subsidiaries and distributors or any of their officers and employees jointly or severally.

■ Information (including circuit diagrams and circuit parameters) herein is for example only; it is not guaranteed for volume production. SANYO believes information herein is accurate and reliable, but no guarantees are made or implied regarding its use or any infringements of intellectual property rights or other rights of third parties.

This catalog provides information as of June, 1995. Specifications and information herein are subject to change without notice.