

SANYO	NO.1482C	LB1249
Active-Low Input, 8-Unit, High-Current, Low-Saturation Driver		

Applications

- . 4-phase stepping motor driver of 2 channels.
- . Especially suited for X-Y axis plotter printer driver.
- . High current, low saturation voltage general-purpose 8-unit driver (relay, LED, lamp solenoid, etc.)

Features

- . Low active input type.
- . On-chip input protecting diodes.
- . High current capacity (400mA) and low saturation voltage (0.5Vmax).
- . On-chip spark killer diodes.
- . Wide duty due to Pd of 3W max.

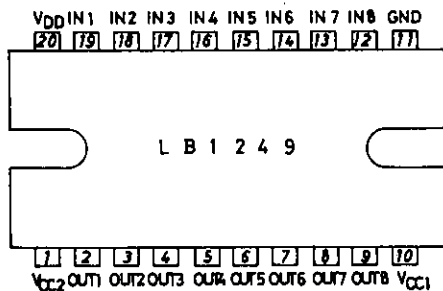
Absolute Maximum Ratings at Ta=25°C

			unit
Maximum Supply Voltage	$V_{CC1,2}$	-0.3 to +7.0	V
Output Supply Voltage	V_{OUT}	-0.3 to +10.0	V
Input Supply Voltage	V_{IN} $GND \leq V_{IN}$	$V_{DD}-7.0$ to $V_{DD}+15$	V
Output Current	I_{OUT} Per unit	400	mA
Spark Killer Diode	I_{FSM} Pulse width $\leq 35ms$	400	mA
Forward Current	duty 5%		
GND Pin Current	I_{GND} Pulse width $\leq 35ms$	3.4	A
Instantaneous Current	I_{CCP} Pulse width $\leq 35ms$	3.2	A
Dissipation	duty 5%		
Allowable Power Dissipation	P_{dmax}	3.0	W
Operating Temperature	T_{opr}	-20 to +75	°C
Storage Temperature	T_{stg}	-40 to +125	°C

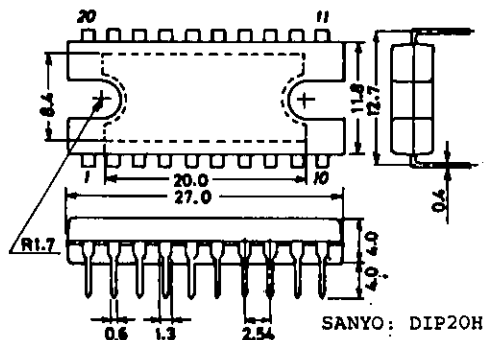
Allowable Operating Conditions at Ta=25°C

			unit
Supply Voltage	V_{CC1}	2.3 to 6.0	V
	V_{DD}	2.3 to 6.0	V
"H" Level Input Voltage	V_{IH} $GND \leq V_{IN}, I_{OUT}=200mA$	$V_{DD}-6.0$ to $V_{DD}-2.3$	V
"L" Level Input Voltage	V_{IL} $I_{OUT} \leq 100\mu A$	$V_{DD}-0.7$ to $V_{DD}+15$	V

Pin Assignment

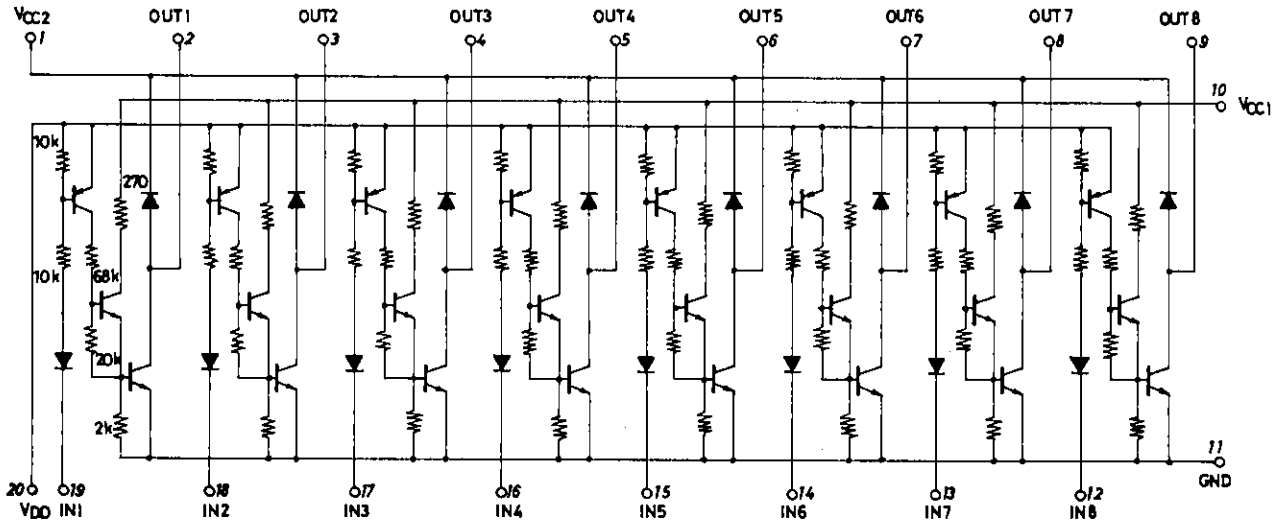


Package Dimensions 3037A-D20HIC (unit: mm)

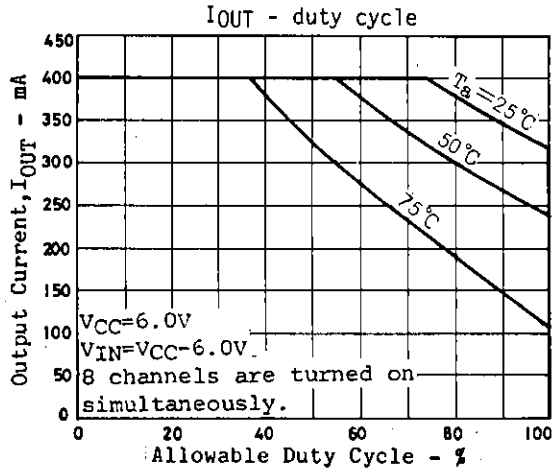


Electrical Characteristics at $T_a=25^{\circ}\text{C}$, $V_{DD}=V_{CC1}=V_{CC}$			min	typ	max	unit
Output Voltage	V_{OUT1}	$V_{CC}=2.3\text{V}, V_{IN}=V_{CC}-2.3\text{V}, I_{OUT}=200\text{mA}$			0.4	V
Output Voltage	V_{OUT2}	$V_{CC}=3.5\text{V}, V_{IN}=V_{CC}-3.0\text{V}, I_{OUT}=200\text{mA}$			0.25	V
Output Voltage	V_{OUT3}	$V_{CC}=6.0\text{V}, V_{IN}=V_{CC}-5.5\text{V}, I_{OUT}=400\text{mA}$			0.5	V
Output Sustain Voltage	$V_{O(sus)}$	$I_{OUT}=400\text{mA}, t \leq 10\mu\text{s}$	10			V
Input Current	I_{IN}	$V_{IN}=V_{CC}-6.0\text{V}, I_{OUT}=0$	-1.0			mA
Supply Leakage Current	$I_{CC(OFF)}$	$V_{CC}=6.0\text{V}, V_{IN}=V_{CC}$			20	μA
Output Leakage Current	I_{OFF}	$V_{OUT}=V_{CC}=6.0\text{V}, V_{IN}=V_{CC}-0.7\text{V}$			100	μA
Spark Killer Diode Forward Voltage	$V_{F(S)}$	$I_{F(S)}=400\text{mA}$			3.0	V
Spark Killer Diode Reverse Current	$I_{R(S)}$	$V_{OUT}=0\text{V}, V_{CC2}=6.0\text{V}$			30	μA

Equivalent Circuit



Unit (resistance: Ω)



- No products described or contained herein are intended for use in surgical implants, life-support systems, aerospace equipment, nuclear power control systems, vehicles, disaster/crime-prevention equipment and the like, the failure of which may directly or indirectly cause injury, death or property loss.
- Anyone purchasing any products described or contained herein for an above-mentioned use shall:
 - ① Accept full responsibility and indemnify and defend SANYO ELECTRIC CO., LTD., its affiliates, subsidiaries and distributors and all their officers and employees, jointly and severally, against any and all claims and litigation and all damages, cost and expenses associated with such use:
 - ② Not impose any responsibility for any fault or negligence which may be cited in any such claim or litigation on SANYO ELECTRIC CO., LTD., its affiliates, subsidiaries and distributors or any of their officers and employees jointly or severally.
- Information (including circuit diagrams and circuit parameters) herein is for example only; it is not guaranteed for volume production. SANYO believes information herein is accurate and reliable, but no guarantees are made or implied regarding its use or any infringements of intellectual property rights or other rights of third parties.