



No. 3986

LB8620M

**Low-voltage, Low-saturation,
Dual-motor Driver**

OVERVIEW

The LB8620M is a low-voltage, low-saturation, dual-motor driver IC that incorporates four independently adjustable, constant-voltage outputs for forward and reverse motor drive, making it ideal for use in portable videos, cameras and radio cassette players.

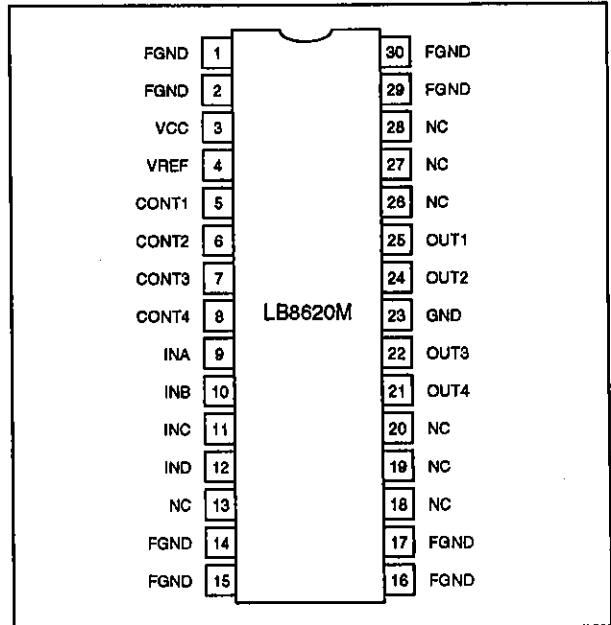
The LB8620M features 1 V (typ) output saturation voltage when $I_o = 1$ A and less than 1 μ A (typ) standby supply current.

The LB8620M operates from a 3.0 to 7.0 V (unregulated) or a 4.5 to 7.0 V (regulated) supply and is available in 30-pin MFPs.

FEATURES

- 1 V (typ) output saturation voltage when $I_o = 1$ A
- Less than 1 μ A (typ) standby supply current when motors are OFF.
- Four independently adjustable, constant-voltage outputs
- Motor braking
- On-chip spark suppression diodes
- 3.0 to 7.0 V (unregulated) or 4.5 to 7.0 V (regulated) supply
- 30-pin MFP

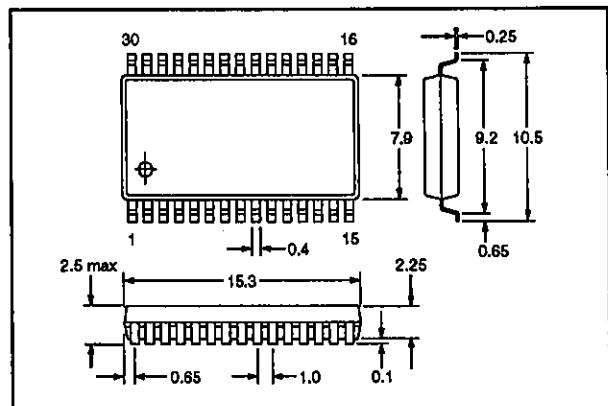
PINOUT



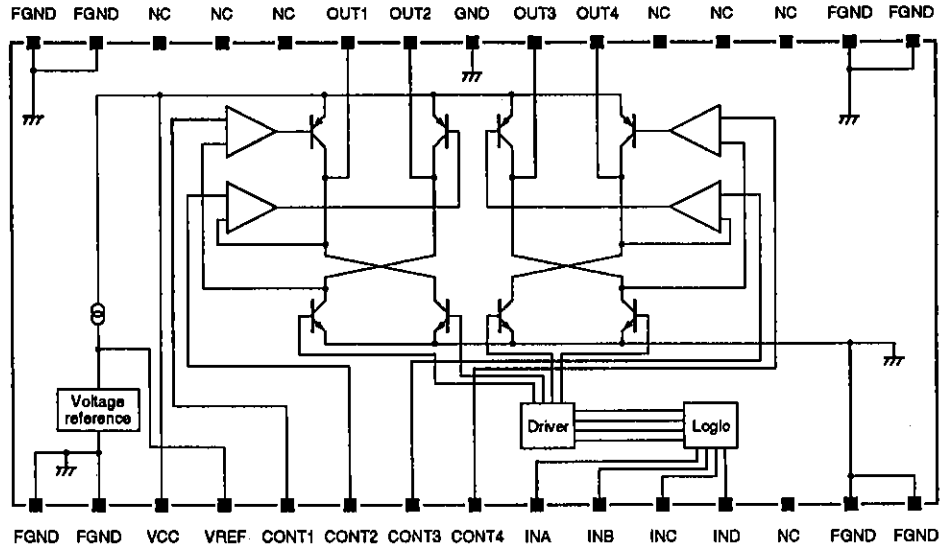
PACKAGE DIMENSIONS

Unit: mm

3073A-MFP30S



BLOCK DIAGRAM



PIN DESCRIPTION

Number	Name	Description
1, 2, 14 to 17, 29, 30	FGND	Frame ground
3	VCC	Voltage supply
4	VREF	Reference voltage output
5	CONT1	Constant-voltage adjustment inputs
6	CONT2	
7	CONT3	
8	CONT4	
9	INA	Motor forward, reverse and brake mode select inputs
10	INB	
11	INC	Motor constant-voltage and high-speed mode select input
12	IND	Motor 1 and motor 2 select input
13, 18 to 20, 26 to 28	NC	No connection
21	OUT4	Motor 2 control outputs
22	OUT3	
23	GND	Ground
24	OUT2	Motor 1 control outputs
25	OUT1	

SPECIFICATIONS

Absolute Maximum Ratings

Parameter	Symbol	Rating	Unit
Supply voltage	V_{CC}	8	V
Input voltage range	V_I	-0.3 to 8.0	V
Output current	I_O	1.5	A
Power dissipation	P_D	1	W
Operating temperature range	T_{opr}	-20 to 80	°C
Storage temperature range	T_{stg}	-40 to 125	°C

Recommended Operating Conditions

$T_a = 25\text{ °C}$

Parameter	Symbol	Rating	Unit
Supply voltage	V_{CC}	6	V
Supply voltage range	V_{CC}	4.5 to 7.0 (regulated)	V
		9.0 to 7.0 (unregulated)	

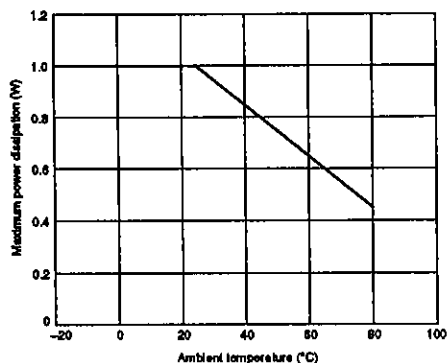
Electrical Characteristics

$V_{CC} = 6\text{ V}$, $T_a = 25\text{ °C}$ unless otherwise noted

Parameter	Symbol	Condition	Rating			Unit
			min	typ	max	
Supply current	I_{CC}	Forward or reverse mode, OUT1 to OUT4 open	-	45	-	mA
		Brake mode, OUT1 to OUT4 open	-	75	-	
Quiescent supply current	I_{CCQ}	Standby mode	-	0.5	10.0	μA
LOW-level input voltage	V_{IL}		-0.3	-	0.3	V
HIGH-level input voltage	V_{IH}		2	-	7	V
Output saturation voltage	V_{sat}	$I_O = 200\text{ mA}$	-	0.2	0.3	V
		$I_O = 500\text{ mA}$	-	0.5	0.75	
		$I_O = 1\text{ A}$	-	1.0	1.5	
Output voltage vs. supply voltage characteristic	$\left(\frac{\Delta V_O}{V_O}\right)/\Delta V_{CC}$	$V_O = 4\text{ V}$, $V_{CC} = 4.5\text{ to }7.0\text{ V}$, $I_O = 100\text{ mA}$	-	0.5	-	%/V
Output voltage vs. supply current characteristic	$\left(\frac{\Delta V_O}{V_O}\right)/\Delta I_{CC}$	$V_O = 4\text{ V}$, $I_O = 30\text{ to }500\text{ mA}$	-	-0.005	-	%/mA

Typical Performance Characteristics

Maximum power dissipation vs. ambient temperature



FUNCTIONAL DESCRIPTION

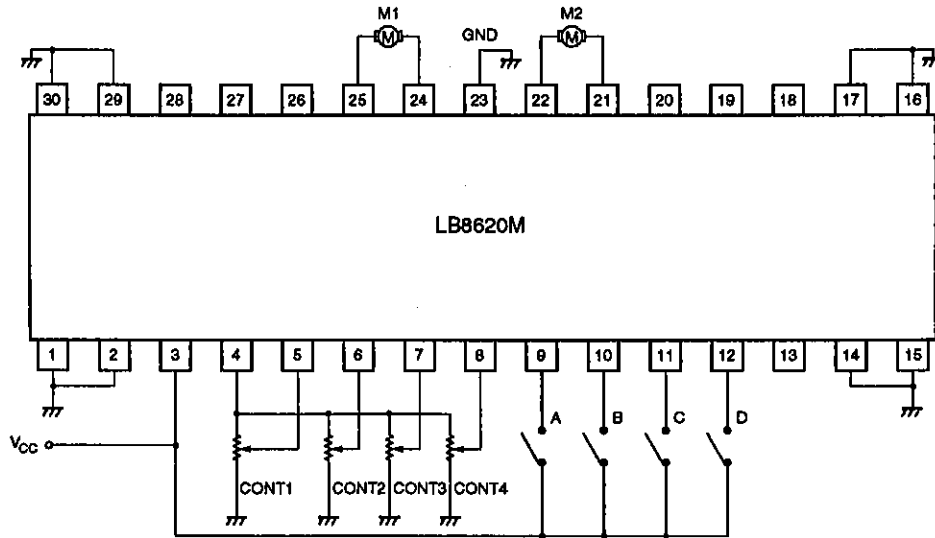
Operating Mode Selection Table

INA	INB	INC	IND	Operating mode
LOW	HIGH	LOW	LOW	M1 constant-voltage (CONT1), forward
LOW	HIGH	HIGH	LOW	M1 high-speed, forward
HIGH	LOW	LOW	LOW	M1 constant-voltage (CONT2), reverse
HIGH	LOW	HIGH	LOW	M1 high-speed, reverse
HIGH	HIGH	×	LOW	M1 brake
LOW	HIGH	LOW	HIGH	M2 constant-voltage (CONT3), forward
LOW	HIGH	HIGH	HIGH	M2 high-speed, forward
HIGH	LOW	LOW	HIGH	M2 constant-voltage (CONT4), reverse
HIGH	LOW	HIGH	HIGH	M2 high-speed, reverse
HIGH	HIGH	×	HIGH	M2 brake
LOW	LOW	×	LOW	OFF

Note

× = don't care

TYPICAL APPLICATION



- No products described or contained herein are intended for use in surgical implants, life-support systems, aerospace equipment, nuclear power control systems, vehicles, disaster/crime-prevention equipment and the like, the failure of which may directly or indirectly cause injury, death or property loss.
- Anyone purchasing any products described or contained herein for an above-mentioned use shall:
 - ① Accept full responsibility and indemnify and defend SANYO ELECTRIC CO., LTD., its affiliates, subsidiaries and distributors and all their officers and employees, jointly and severally, against any and all claims and litigation and all damages, cost and expenses associated with such use;
 - ② Not impose any responsibility for any fault or negligence which may be cited in any such claim or litigation on SANYO ELECTRIC CO., LTD., its affiliates, subsidiaries and distributors or any of their officers and employees jointly or severally.
- Information (including circuit diagrams and circuit parameters) herein is for example only; it is not guaranteed for volume production. SANYO believes information herein is accurate and reliable, but no guarantees are made or implied regarding its use or any infringements of intellectual property rights or other rights of third parties.