

SANYO

No. ※ 3589

LC7463M**Infrared Remote Control Transmitter IC****Preliminary**

OVERVIEW

The LC7463M is a 32-key infrared remote control transmitter IC that incorporates all key-scanning, oscillator and timing functions on-chip, resulting in a very low external component count.

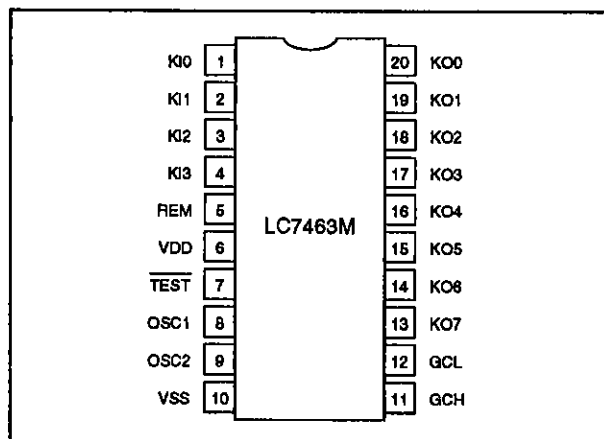
The LC7463M generates 35 function codes using the 32 function keys. The output data format comprises the mask-programmed custom code, the parity field, the mask-programmed system code, the product code, the function code and the data check code.

The LC7463M operates from a 2.0 to 3.6 V supply and is available in 20-pin MFPs.

FEATURES

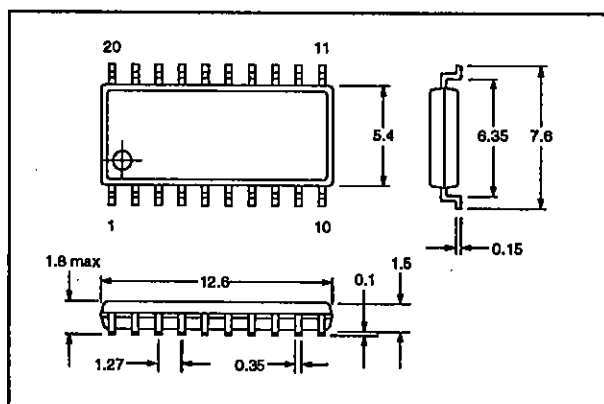
- Low external component count
- 32 function keys
- 35 function codes
- Mask-programmable custom and system codes
- 64 product codes
- Output conforms to Japan's Association for Electric Home Appliances recommended standards for infrared remote controls.
- On-chip input pull-down resistors
- 2.0 to 3.6 V supply
- 20-pin MFP

PINOUT

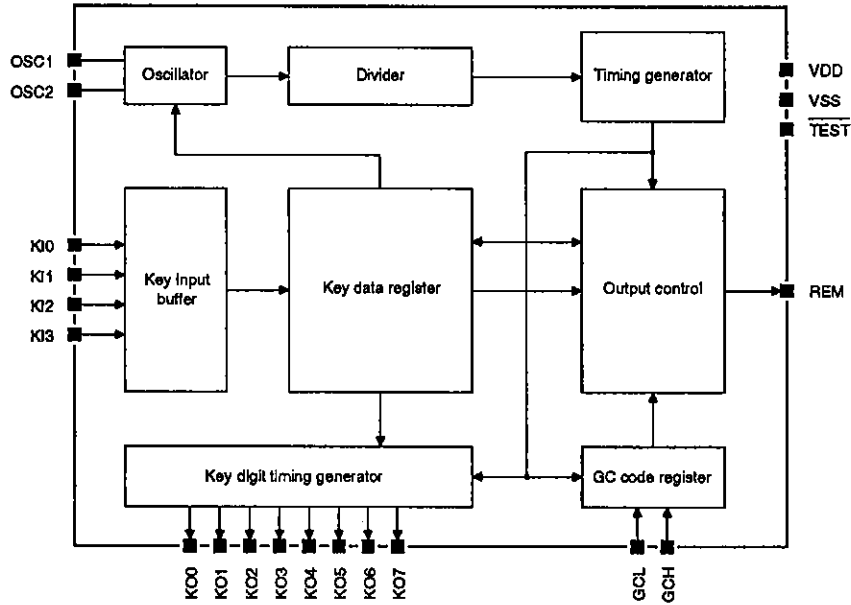


PACKAGE DIMENSIONS

Unit: mm

3036B-MFP20

BLOCK DIAGRAM



PIN DESCRIPTION

Number	Name	Equivalent circuit	Description
1 to 4	KI0 to KI3		Keyswitch scanning inputs
5	REM		LED driver output
6	VDD		Supply voltage
7	$\overline{\text{TEST}}$		Test input. $\overline{\text{TEST}}$ should be tied HIGH or left open for normal operation.
8	OSC1		Ceramic oscillator input connection
9	OSC2		Ceramic oscillator output connection
10	VSS		Ground
11, 12	GCL, GCH		Product code select inputs
13 to 20	KO0 to KO7		Keyswitch scanning outputs

SPECIFICATIONS

Absolute Maximum Ratings

Parameter	Symbol	Rating	Unit
Supply voltage range	V_{DD}	$V_{SS} - 0.3$ to 5.5	V
Input voltage range	V_I	$V_{SS} - 0.3$ to $V_{DD} + 0.3$	V
Output voltage range	V_O	$V_{SS} - 0.3$ to $V_{DD} + 0.3$	V
Output current	I_O	-35	mA
Power dissipation	P_D	150	mW
Operating temperature range	T_{opr}	-40 to 85	°C
Storage temperature range	T_{stg}	-50 to 125	°C

Recommended Operating Conditions

$T_a = 25$ °C

Parameter	Symbol	Rating	Unit
Supply voltage	V_{DD}	3	V
Supply voltage range	V_{DD}	2.0 to 3.6	V

Electrical Characteristics

$V_{DD} = 2.0$ to 3.6 V, $T_a = -40$ to 85 °C unless otherwise noted

Parameter	Symbol	Condition	Rating			Unit
			min	typ	max	
Operating supply current	I_{DD}	Key pressed, no load	-	-	1	mA
Standby supply current	I_{DS}	No key pressed, oscillator stopped	-	-	1	µA
K10 to K13, GCL and GCH LOW-level input voltage	V_{IL}		V_{SS}	-	$0.3V_{DD}$	V
K10 to K13, GCL and GCH HIGH-level input voltage	V_{IH}		$0.7V_{DD}$	-	V_{DD}	V
K00 to K07 and REM LOW-level output voltage	V_{OL}	$I_{OL} = 0.1$ mA	-	-	0.3	V
K00 to K07 HIGH-level output voltage	V_{OH}	$I_{OH} = -0.1$ mA	$V_{DD} - 0.3$	-	-	V
GCL and GCH LOW-level input current	I_{IL}	$V_I = V_{SS}$	-1	-	-	µA
GCL and GCH HIGH-level input current	I_{IH}	$V_I = V_{DD}$	-	-	1	µA
REM HIGH-level output current	I_{OH}	$V_{DD} = 2$ V, $V_{OH} = V_{DD} - 1$ V	-	-2.5	-	mA
		$V_{DD} = 3$ V, $V_{OH} = V_{DD} - 1$ V	-	-11	-	
K10 to K13 input floating voltage	V_{IF}		-	-	$0.1V_{DD}$	V
K10 to K13 input pull-down resistance	R_{IN}		75	100	125	kΩ
Oscillator frequency	f_{osc}		433	455	477	kHz

FUNCTIONAL DESCRIPTION

Key Inputs

An eight-by-four matrix is formed with the keyswitch scanning outputs KO0 to KO7 and the keyswitch scanning inputs KI0 to KI3 as shown in the following figure.

	KI0	KI1	KI2	KI3
KO0	1	9	17	25
KO1	2	10	18	26
KO2	3	11	19	27
KO3	4	12	20	28
KO4	5	13	21	29
KO5	6	14	22	30
KO6	7	15	23	31
KO7	8	16	24	32

When a key is held down, either the normal or abbreviated continuation code is output continuously, depending on the mask option selected.

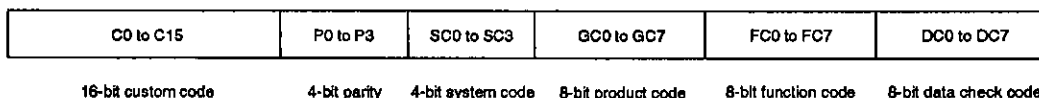
Normally, only one key can be pressed at a time. If more than one key is pressed, all keys are ignored and no output is generated. However, when the appropriate mask option is selected, up to three extra codes can be generated by holding down key 8 and one of keys 16, 24 and 32 as shown in table 1.

Table 1. Function code generation

Key combination	Function code							
	FC0	FC1	FC2	FC3	FC4	FC5	FC6	FC7
8, 16	1	1	1	0	1	0	0	1
8, 24	1	1	1	0	0	1	0	1
8, 32	1	1	1	0	1	1	0	1

Output Data Configuration

The 48-bit output data configuration is shown in the following figure. Note that the data is sent least-significant bit first.



Custom code

The 16-bit mask-programmable custom code (C0 to C15) is a unique code registered with the Association for Electric Home Appliances.

Parity bits

The four parity bits (P0 to P3) are used for error detection. Their value is given by the following equation.

$$P_n = C_n \oplus C_{(n + 4)} \oplus C_{(n + 8)} \oplus C_{(n + 12)}$$

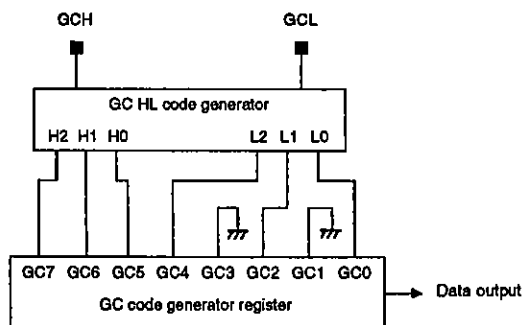
where $n = 0$ to 3.

System code

The four-bit system code (SC0 to SC3) is mask-programmed into the LC7463M during fabrication.

Product code

The eight-bit product code (GC0 to GC7) consists of two mask-programmable bits and six bits that are set by connecting each of GCL and GCH to one of KO0 to KO3. The block diagram of the product code generator is shown in the following figure. GC1 and GC3 are the mask-programmable bits, shown set to zero.



Tables 2 and 3 show the relationships between GCL and L0 to L2, and between GCH and H0 to H2, respectively.

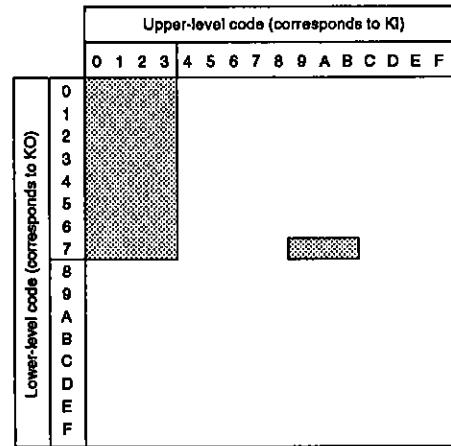
Table 2. GCL product codes

Pin	Code generated		
	L0	L1	L2
K00	0	0	0
K01	1	0	0
K02	0	1	0
K03	1	1	0
K04	0	0	1
K05	1	0	1
K06	0	1	1
K07	1	1	1

Table 3. GCH product codes

Pin	Code generated		
	H0	H1	H2
K00	0	0	0
K01	1	0	0
K02	0	1	0
K03	1	1	0
K04	0	0	1
K05	1	0	1
K06	0	1	1
K07	1	1	1

following figure. Note that when the appropriate mask option is selected, function codes 97H, A7H and B7H can be generated by holding down key 8 and one of keys 16, 24 and 32.



Data check code

The eight-bit data check code (DC0 to DC7) is generated by adding the carry bits from the system code to the product and function code bits. This code is used for error detection. The data check code is calculated using the following equation.

$$DC = SC + GC0 \text{ to } GC3 + GC4 \text{ to } GC7 + FC0 \text{ to } FC3 + FC4 \text{ to } FC7$$

For example, when

$$SC = 0H, GC = 0B1H, FC = 35H$$

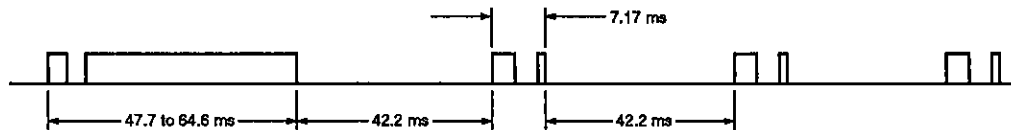
$$DC = 0H + 1H + 0BH + 5H + 3H = 14H$$

Function code

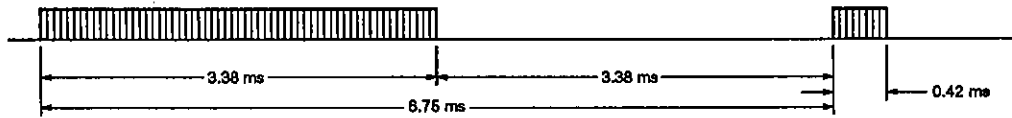
The eight-bit function code (FC0 to FC7) is determined by the number of the key pressed as shown in the

Data Transmission Waveforms

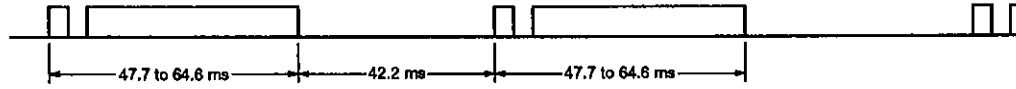
Abbreviated transmission mode



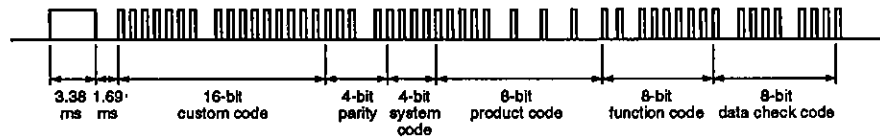
Abbreviated mode detail



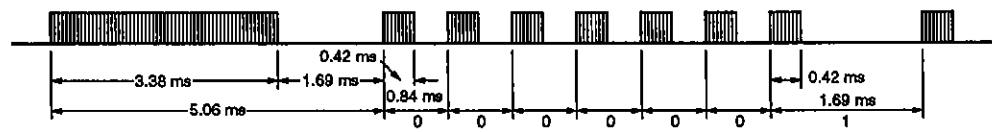
Normal transmission mode



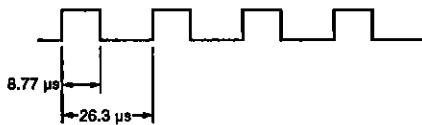
Expanded figure



Expanded figure

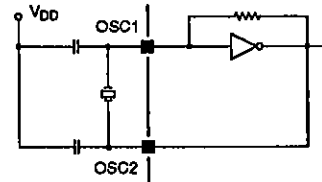


Carrier waveform

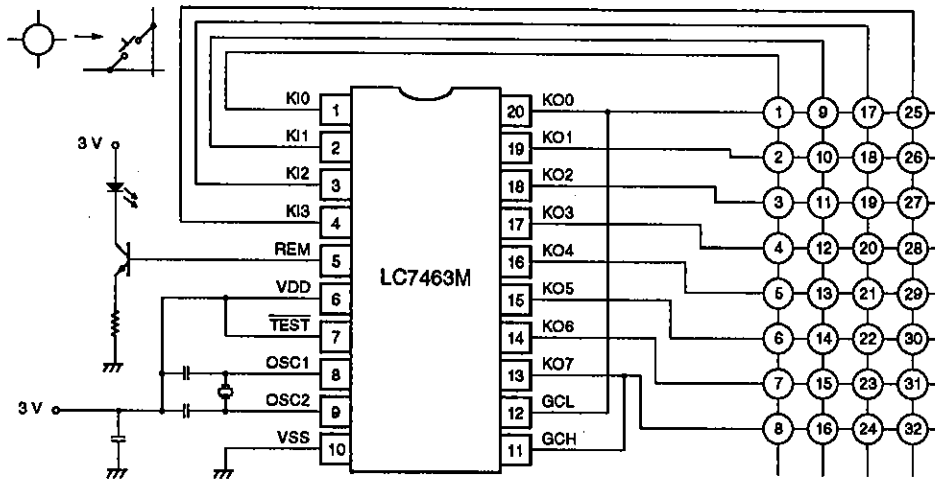


Oscillator

The LC7463M contains a self-biasing CMOS inverter that is used as an oscillator when connected to a ceramic resonator as shown in the following figure. To reduce power, the oscillator operates only when a key is pressed.



TYPICAL APPLICATION



■ No products described or contained herein are intended for use in surgical implants, life-support systems, aerospace equipment, nuclear power control systems, vehicles, disaster/crime-prevention equipment and the like, the failure of which may directly or indirectly cause injury, death or property loss.

■ Anyone purchasing any products described or contained herein for an above-mentioned use shall:

- ① Accept full responsibility and indemnify and defend SANYO ELECTRIC CO., LTD., its affiliates, subsidiaries and distributors and all their officers and employees, jointly and severally, against any and all claims and litigation and all damages, cost and expenses associated with such use:
- ② Not impose any responsibility for any fault or negligence which may be cited in any such claim or litigation on SANYO ELECTRIC CO., LTD., its affiliates, subsidiaries and distributors or any of their officers and employees jointly or severally.

■ Information (including circuit diagrams and circuit parameters) herein is for example only; it is not guaranteed for volume production. SANYO believes information herein is accurate and reliable, but no guarantees are made or implied regarding its use or any infringements of intellectual property rights or other rights of third parties.

This catalog provides information as of **June , 1996** . Specifications and information herein are subject to change without notice.