

SANYO	No.4760	2SC4865
		NPN Epitaxial Planar Silicon Transistor VHF to UHF Wide-Band Low-Noise Amp Applications

Features

- Lownoise : $NF = 1.1\text{dB typ (}f = 1\text{GHz)}$.
- High gain : $|S_{21e}|^2 = 12.5\text{dB typ (}f = 1\text{GHz)}$.
- High cutoff frequency : $f_T = 7.0\text{GHz typ}$.

Absolute Maximum Ratings at $T_a = 25^\circ\text{C}$

			unit
Collector-to-Base Voltage	V_{CB0}	16	V
Collector-to-Emitter Voltage	V_{CEO}	8	V
Emitter-to-Base Voltage	V_{EBO}	2	V
Collector Current	I_C	70	mA
Collector Dissipation	P_C	200	mW
Junction Temperature	T_j	150	$^\circ\text{C}$
Storage Temperature	T_{stg}	-55 to +150	$^\circ\text{C}$

Electrical Characteristics at $T_a = 25^\circ\text{C}$

			min	typ	max	unit
Collector Cutoff Current	I_{CBO}	$V_{CB} = 10\text{V}, I_E = 0$			1.0	μA
Emitter Cutoff Current	I_{EBO}	$V_{EB} = 1\text{V}, I_C = 0$			10	μA
DC Current Gain	h_{FE}	$V_{CE} = 5\text{V}, I_C = 20\text{mA}$	60*		270*	
Gain-Bandwidth Product	f_T	$V_{CE} = 5\text{V}, I_C = 20\text{mA}$		7.0		GHz
Output Capacitance	C_{ob}	$V_{CB} = 10\text{V}, f = 1\text{MHz}$		0.95	1.4	pF
Forward Transfer Gain	$ S_{21e} ^2$	$V_{CE} = 5\text{V}, I_C = 20\text{mA}, f = 1\text{GHz}$	8.5	12.5		dB
Noise Figure	NF	$V_{CE} = 5\text{V}, I_C = 7\text{mA}, f = 1\text{GHz}$		1.1	2.0	dB

* : The 2SC4865 are classified by 20mA h_{FE} as follows:

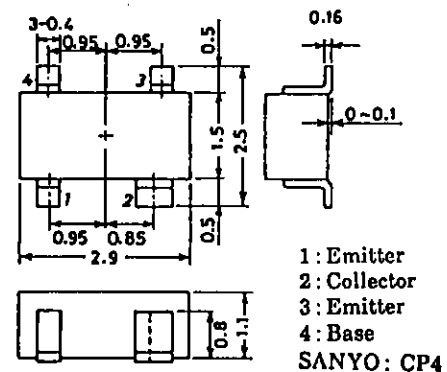
60	3	120	90	4	180	135	5	270
----	---	-----	----	---	-----	-----	---	-----

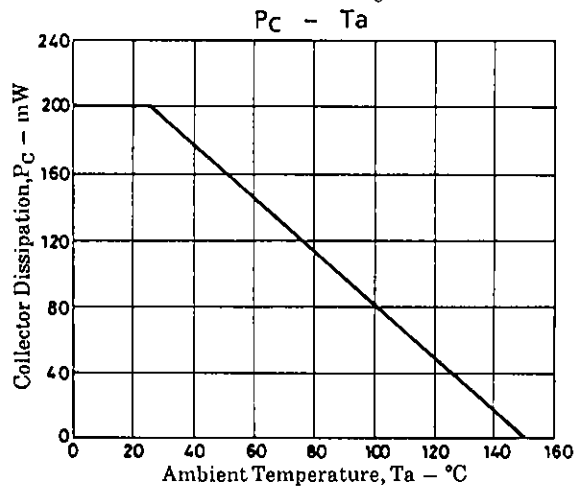
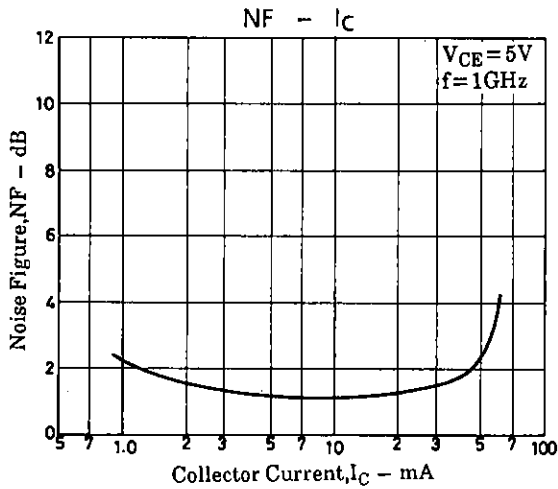
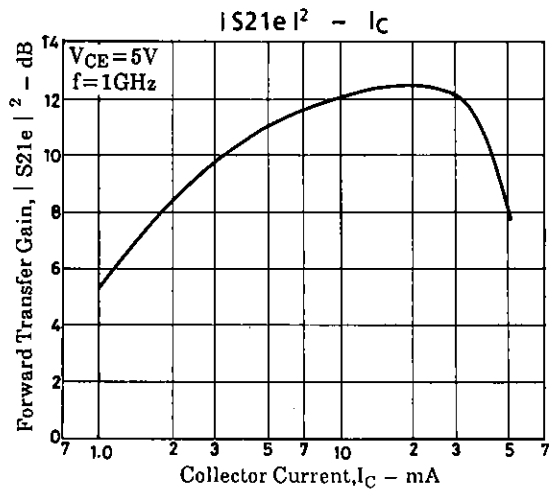
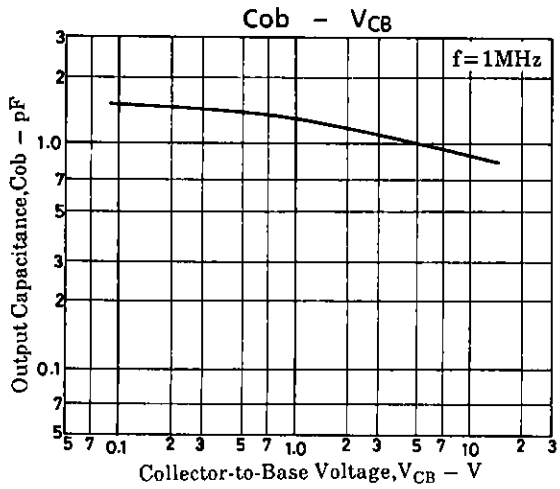
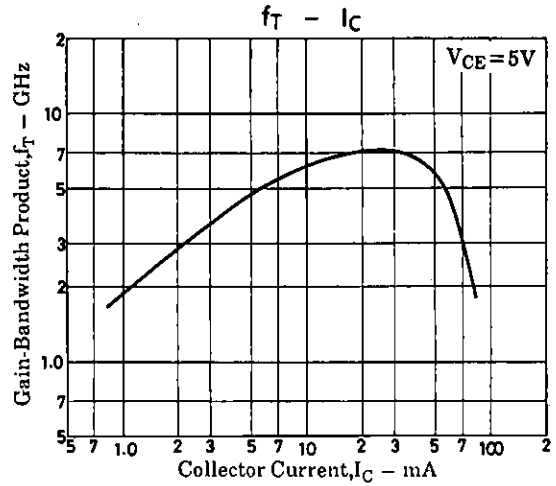
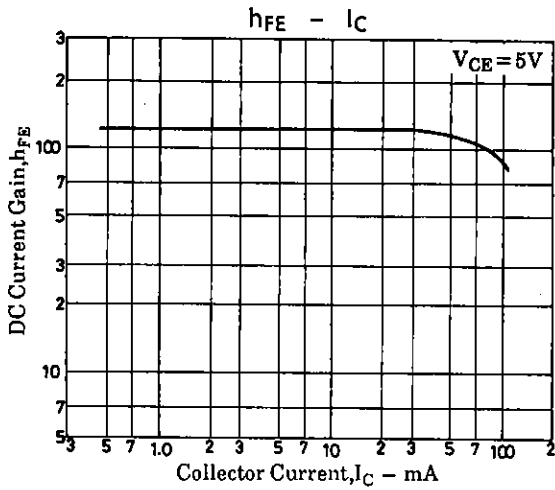
Marking : FN

h_{FE} rank : 3,4,5

Package Dimensions 2110A

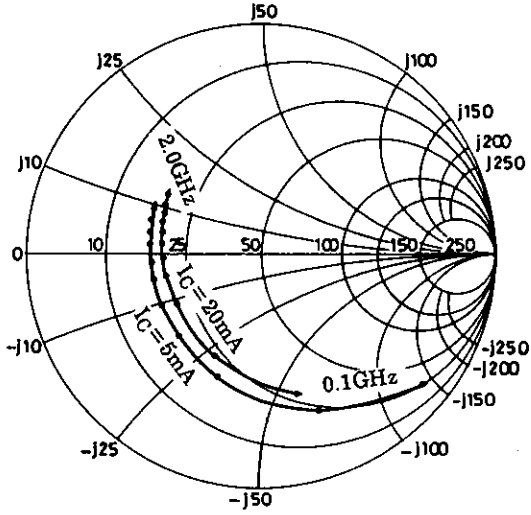
(unit : mm)



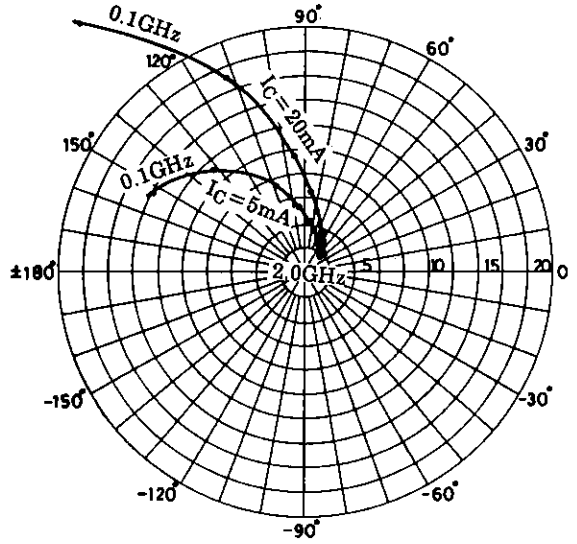


S Parameters

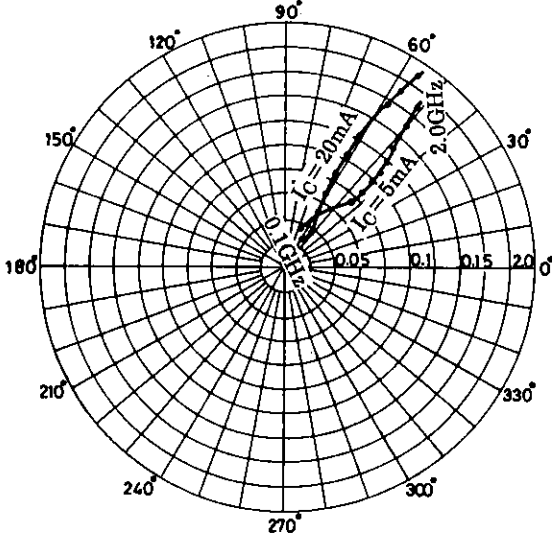
S11e: $V_{CE} = 5V$
 $f = 100, 200 \sim 2000MHz$ (200 step)



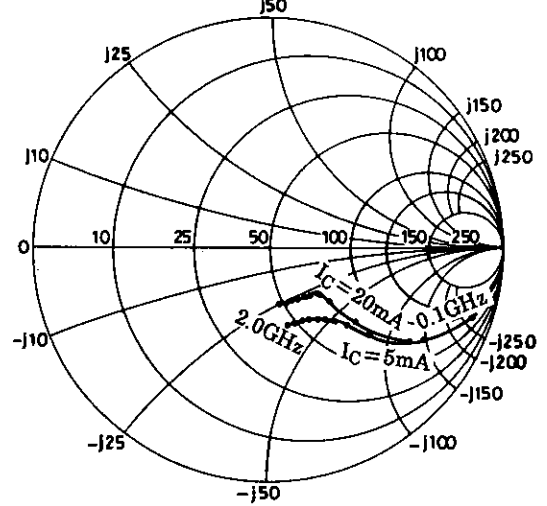
S21e: $V_{CE} = 5V$
 $f = 100, 200 \sim 2000MHz$ (200 step)



S12e: $V_{CE} = 5V$
 $f = 100, 200 \sim 2000MHz$ (200 step)



S22e: $V_{CE} = 5V$
 $f = 100, 200 \sim 2000MHz$ (200 step)



S Parameters (Common emitter)

 $V_{CE}=5V, I_C=5mA, Z_0=50\Omega$

Freq (MHz)	$ S_{11} $	$\angle S_{11}$	$ S_{21} $	$\angle S_{21}$	$ S_{12} $	$\angle S_{12}$	$ S_{22} $	$\angle S_{22}$
100	0.860	-40.0	13.912	152.74	0.034	67.2	0.904	-19.7
200	0.705	-71.2	11.185	132.28	0.054	54.3	0.748	-32.0
400	0.551	-110.99	7.426	109.5	0.074	45.9	0.555	-42.8
600	0.494	-135.61	5.385	95.9	0.086	44.0	0.461	-47.2
800	0.484	-152.6	4.241	86.1	0.097	44.9	0.413	-50.1
1000	0.473	-166.0	3.505	77.7	0.107	45.5	0.385	-54.0
1200	0.478	-176.2	2.993	70.2	0.118	46.7	0.368	-57.2
1400	0.484	175.5	2.617	63.4	0.129	47.8	0.353	-62.5
1600	0.484	168.9	2.329	57.4	0.140	49.3	0.347	-66.8
1800	0.498	163.3	2.102	52.6	0.151	50.0	0.339	-72.2
2000	0.504	156.9	1.946	47.3	0.167	50.8	0.340	-77.5

 $V_{CE}=5V, I_C=20mA, Z_0=50\Omega$

Freq (MHz)	$ S_{11} $	$\angle S_{11}$	$ S_{21} $	$\angle S_{21}$	$ S_{12} $	$\angle S_{12}$	$ S_{22} $	$\angle S_{22}$
100	0.607	-77.0	27.348	132.4	0.025	58.0	0.706	-35.5
200	0.478	-115.9	17.148	112.3	0.035	53.4	0.478	-43.5
400	0.422	-150.2	9.497	95.7	0.051	57.9	0.337	-44.6
600	0.417	-166.7	6.515	86.3	0.068	61.0	0.296	-45.3
800	0.423	-176.9	4.996	79.2	0.086	62.4	0.280	-47.3
1000	0.429	174.1	4.072	72.4	0.104	61.7	0.270	-52.3
1200	0.435	167.7	3.456	66.2	0.121	61.1	0.263	-56.5
1400	0.449	162.2	3.001	60.7	0.139	59.7	0.254	-63.1
1600	0.455	157.5	2.672	55.6	0.155	58.6	0.251	-68.2
1800	0.465	153.4	2.388	51.4	0.170	57.4	0.246	-74.9
2000	0.477	148.2	2.208	46.8	0.188	56.0	0.248	-81.2

■ No products described or contained herein are intended for use in surgical implants, life-support systems, aerospace equipment, nuclear power control systems, vehicles, disaster/crime-prevention equipment and the like, the failure of which may directly or indirectly cause injury, death or property loss.

■ Anyone purchasing any products described or contained herein for an above-mentioned use shall:

- ① Accept full responsibility and indemnify and defend SANYO ELECTRIC CO., LTD., its affiliates, subsidiaries and distributors and all their officers and employees, jointly and severally, against any and all claims and litigation and all damages, cost and expenses associated with such use;
- ② Not impose any responsibility for any fault or negligence which may be cited in any such claim or litigation on SANYO ELECTRIC CO., LTD., its affiliates, subsidiaries and distributors or any of their officers and employees jointly or severally.

■ Information (including circuit diagrams and circuit parameters) herein is for example only; it is not guaranteed for volume production. SANYO believes information herein is accurate and reliable, but no guarantees are made or implied regarding its use or any infringements of intellectual property rights or other rights of third parties.