

SANYO	No.4767	2SC4921
		NPN Epitaxial Planar Silicon Transistor

Muting Circuit, Driver Applications

Features

- High DC current gain.
- On-chip bias resistance (R1 = 10kΩ, R2 = 10kΩ)
- Very small-sized package permitting 2SC4921-applied sets to be made smaller and slimmer.
- Small ON resistance.

Absolute Maximum Ratings at Ta = 25°C

			unit
Collector-to-Base Voltage	V _{CB0}	25	V
Collector-to-Emitter Voltage	V _{CEO}	20	V
Emitter-to-Base Voltage	V _{EBO}	10	V
Input Voltage	V _{IN}	18	V
Collector Current	I _C	100	mA
Collector Current (Pulse)	I _{CP}	200	mA
Base Current	I _B	20	mA
Collector Dissipation	P _C	150	mW
Junction Temperature	T _j	150	°C
Storage Temperature	T _{stg}	-55 to +150	°C

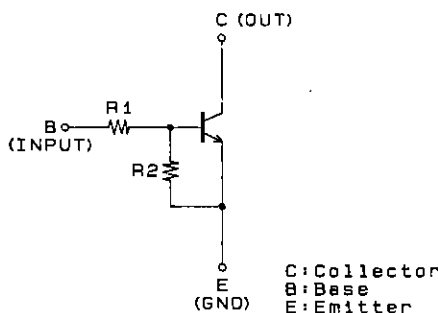
Electrical Characteristics at Ta = 25°C

			min	typ	max	unit
Collector Cutoff Current	I _{CB0}	V _{CB} = 20V, I _E = 0			0.1	μA
Collector Cutoff Current	I _{CEO}	V _{CE} = 15V, I _B = 0			0.5	μA
Emitter Cutoff Current	I _{EBO}	V _{EB} = 5V, I _C = 0	195	250	360	μA
DC Current Gain	h _{FE}	V _{CE} = 2V, I _C = 10mA	100			
Gain-Bandwidth Product	f _T *	V _{CE} = 5V, I _C = 10mA		240		MHz
Output Capacitance	C _{ob} *	V _{CB} = 10V, f = 1MHz		1.4		pF
C-E Saturation Voltage	V _{CE(sat)}	I _C = 2.5mA, I _B = 0.25mA		10	30	mV
C-B Breakdown Voltage	V _{(BR)CBO}	I _C = 10μA, I _E = 0	25			V
C-E Breakdown Voltage	V _{(BR)CEO}	I _C = 1mA, R _{BE} = ∞	20			V
Input OFF-State Voltage	V _{I(off)}	V _{CE} = 2V, I _C = 100μA	0.7	1.1	1.4	V
Input ON-State Voltage	V _{I(on)}	V _{CE} = 0.3V, I _C = 10mA	1.0	1.5	3.0	V
Input Resistance	R1		7.0	10	13	kΩ
Resistance Ratio	R1/R2		0.9	1.0	1.1	
ON Resistance	R _{on}	V _{IN} = 5V, f = 1MHz		2.8		Ω

* Characteristic of the constituent transistor.

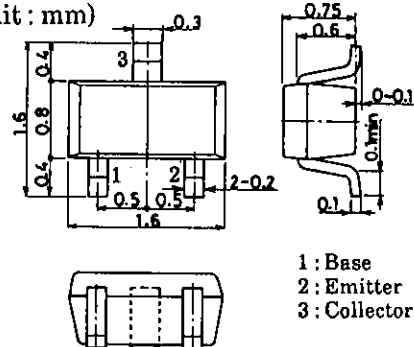
Marking: FA

Electrical Connection



Package Dimensions 2106A

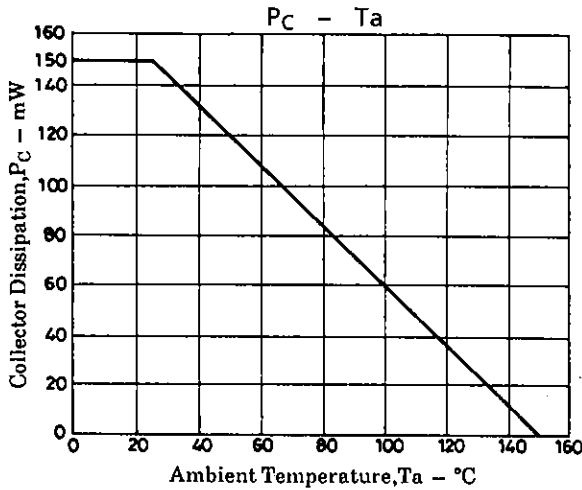
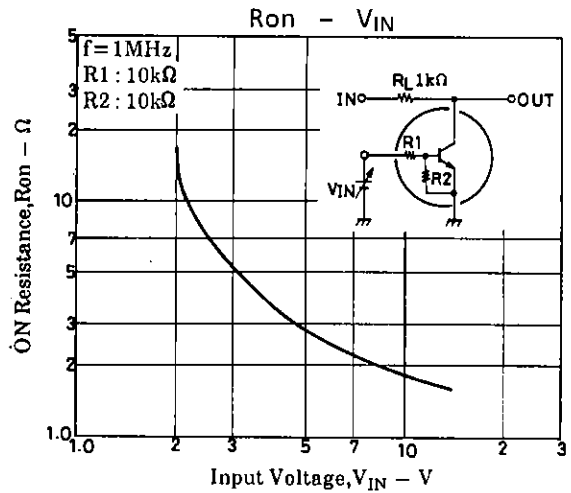
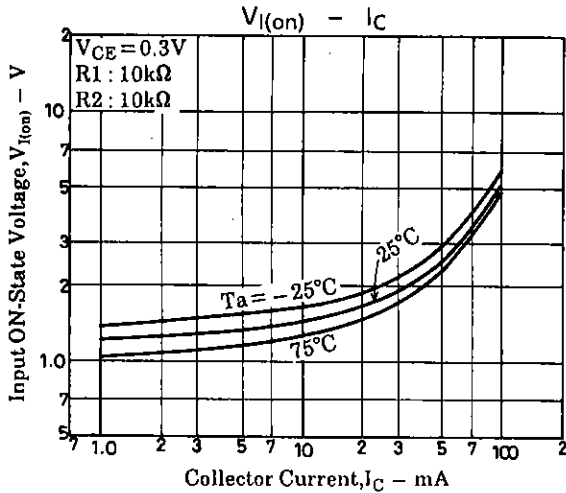
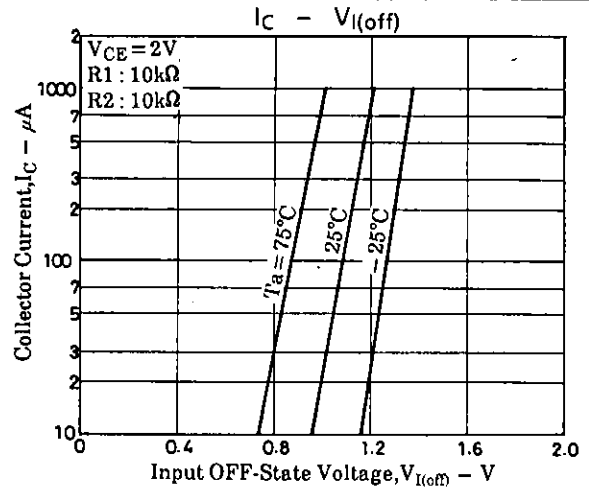
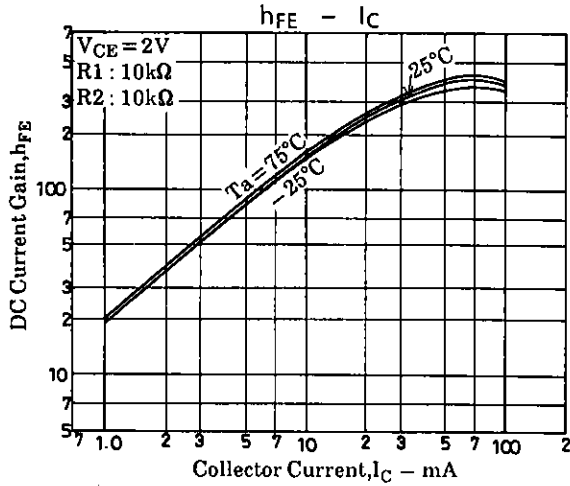
(unit: mm)



SANYO: SMCP

SANYO Electric Co., Ltd. Semiconductor Business Headquarters

TOKYO OFFICE Tokyo Bldg., 1-10, 1 Chome, Ueno, Taito-ku, TOKYO, 110 JAPAN



■ No products described or contained herein are intended for use in surgical implants, life-support systems, aerospace equipment, nuclear power control systems, vehicles, disaster/crime-prevention equipment and the like, the failure of which may directly or indirectly cause injury, death or property loss.

- Anyone purchasing any products described or contained herein for an above-mentioned use shall:
- ① Accept full responsibility and indemnify and defend SANYO ELECTRIC CO., LTD., its affiliates, subsidiaries and distributors and all their officers and employees, jointly and severally, against any and all claims and litigation and all damages, cost and expenses associated with such use:
 - ② Not impose any responsibility for any fault or negligence which may be cited in any such claim or litigation on SANYO ELECTRIC CO., LTD., its affiliates, subsidiaries and distributors or any of their officers and employees jointly or severally.

■ Information (including circuit diagrams and circuit parameters) herein is for example only; it is not guaranteed for volume production. SANYO believes information herein is accurate and reliable, but no guarantees are made or implied regarding its use or any infringements of intellectual property rights or other rights of third parties.