

SANYO	No.5077	2SJ421
		P-Channel Silicon MOSFET Very High-Speed Switching Applications

Features

- Low ON resistance.
- Very high-speed switching.
- 4V drive.

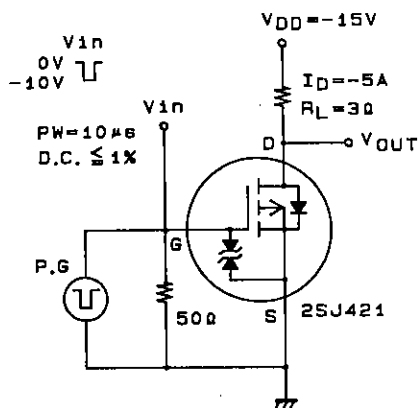
Absolute Maximum Ratings at Ta = 25°C

			unit
Drain-to-Source Voltage	V _{DS}	-30	V
Gate-to-Source Voltage	V _{GS}	±20	V
Drain Current (DC)	I _D	-5	A
Drain Current (Pulse)	I _{DP}	PW ≤ 10μs, duty cycle ≤ 1%	-32 A
Allowable Power Dissipation	P _D	Mounted on ceramic board (1000mm ² × 0.8mm)	2.0 W
Channel Temperature	T _{ch}	150	°C
Storage Temperature	T _{stg}	-55 to +150	°C

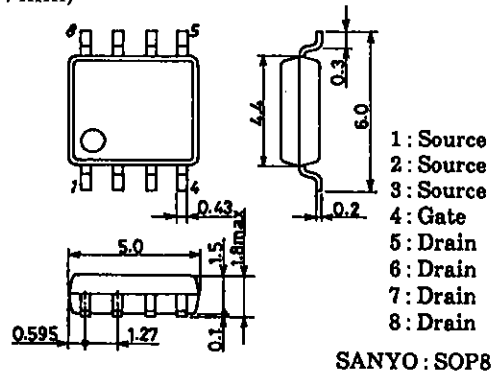
Electrical Characteristics at Ta = 25°C

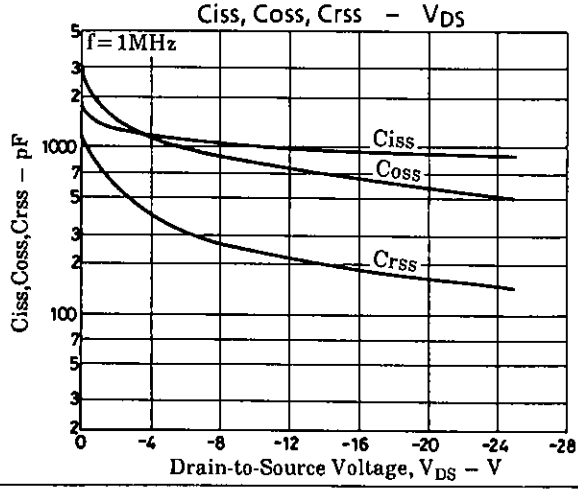
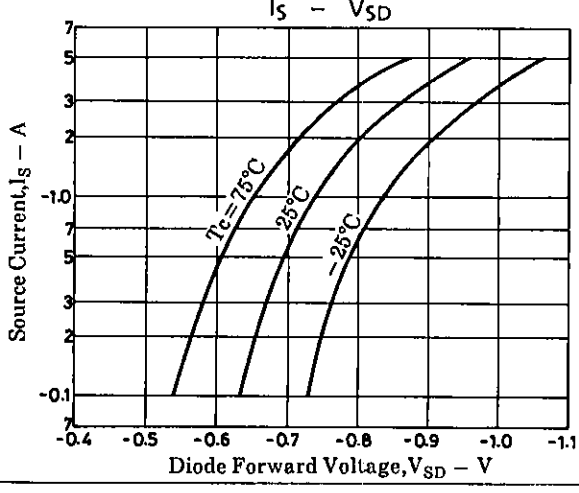
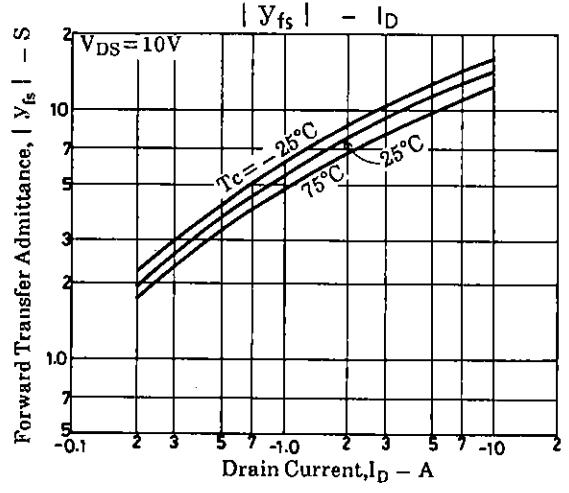
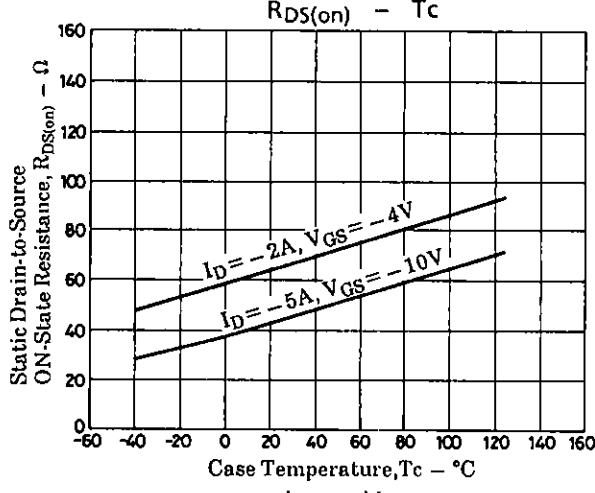
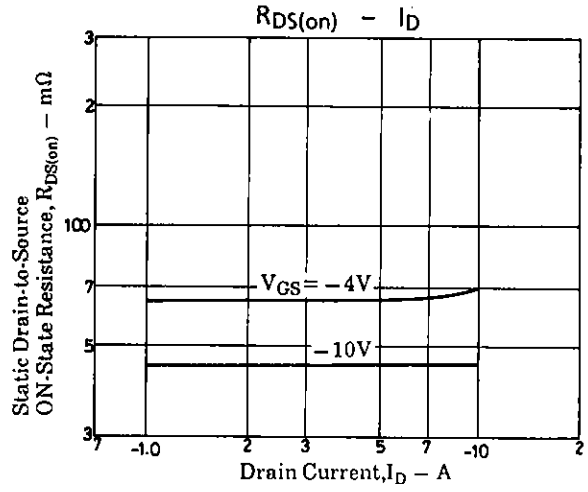
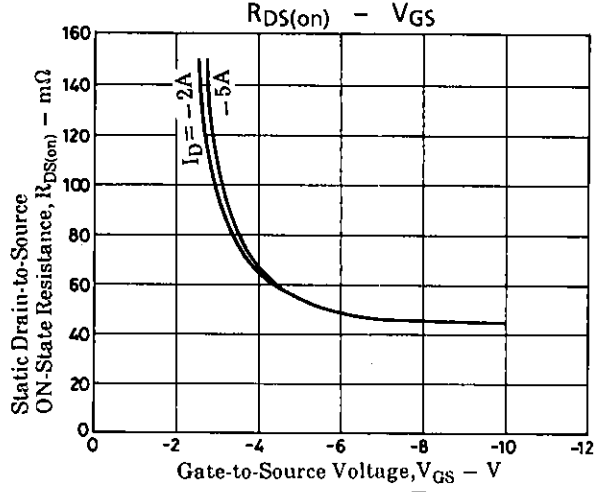
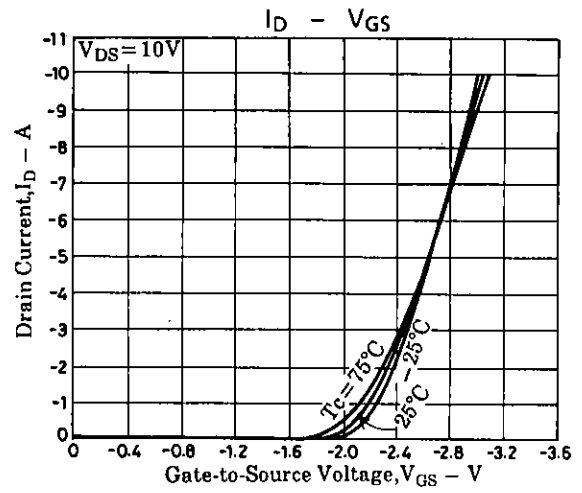
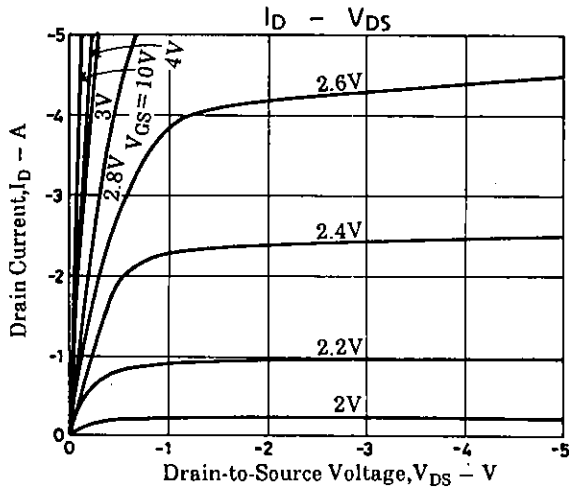
			min	typ	max	unit
D-S Breakdown Voltage	V _{(BR)DSS}	I _D = -1mA, V _{GS} = 0	-30			V
Zero-Gate Voltage Drain Current	I _{DSS}	V _{DS} = -30V, V _{GS} = 0			-100	μA
Gate-to-Source Leakage Current	I _{GSS}	V _{GS} = ±16V, V _{DS} = 0			±10	μA
Gate-to-Source Cutoff Voltage	V _{GS(off)}	V _{DS} = -10V, I _D = -1mA	-1.0		-2.5	V
Forward Transfer Admittance	Y _{fs}	V _{DS} = -10V, I _D = -5A	6	10		S
Static Drain-to-Source ON-State Resistance	R _{DS(on)1}	I _D = -5A, V _{GS} = -10V		45	58	mΩ
	R _{DS(on)2}	I _D = -2A, V _{GS} = -4V		65	107	mΩ
Input Capacitance	C _{iss}	V _{DS} = -10V, f = 1MHz		1000		pF
Output Capacitance	C _{oss}	V _{DS} = -10V, f = 1MHz		800		pF
Reverse Transfer Capacitance	C _{rss}	V _{DS} = -10V, f = 1MHz		240		pF
Turn-ON Delay Time	t _{d(on)}	See specified Test Circuit.		25		ns
Rise Time	t _r	∕		140		ns
Turn-OFF Delay Time	t _{d(off)}	∕		350		ns
Fall Time	t _f	∕		300		ns
Diode Forward Voltage	V _{SD}	I _S = -5A, V _{GS} = 0	-1.0	-1.2		V

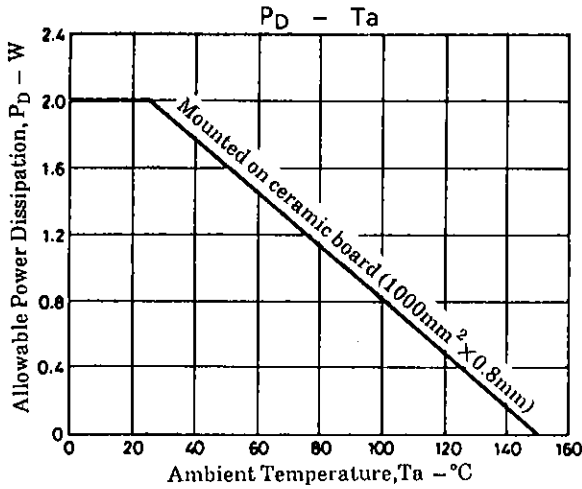
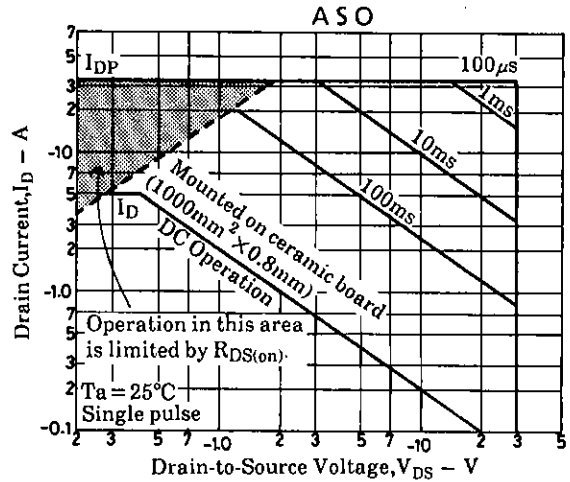
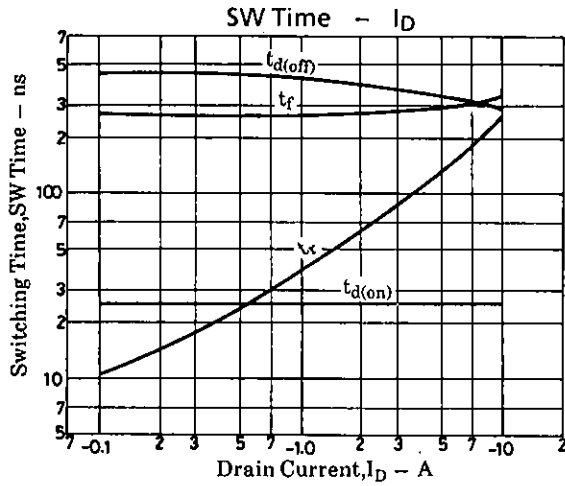
Switching Time Test Circuit



Package Dimensions 2116
(unit: mm)







■ No products described or contained herein are intended for use in surgical implants, life-support systems, aerospace equipment, nuclear power control systems, vehicles, disaster/crime-prevention equipment and the like, the failure of which may directly or indirectly cause injury, death or property loss.

■ Anyone purchasing any products described or contained herein for an above-mentioned use shall:

- ① Accept full responsibility and indemnify and defend SANYO ELECTRIC CO., LTD., its affiliates, subsidiaries and distributors and all their officers and employees, jointly and severally, against any and all claims and litigation and all damages, cost and expenses associated with such use;
- ② Not impose any responsibility for any fault or negligence which may be cited in any such claim or litigation on SANYO ELECTRIC CO., LTD., its affiliates, subsidiaries and distributors or any of their officers and employees jointly or severally.

■ Information (including circuit diagrams and circuit parameters) herein is for example only; it is not guaranteed for volume production. SANYO believes information herein is accurate and reliable, but no guarantees are made or implied regarding its use or any infringements of intellectual property rights or other rights of third parties.

This catalog provide information as of April, 1995. Specifications and information herein are subject to change without notice.