

SANYO

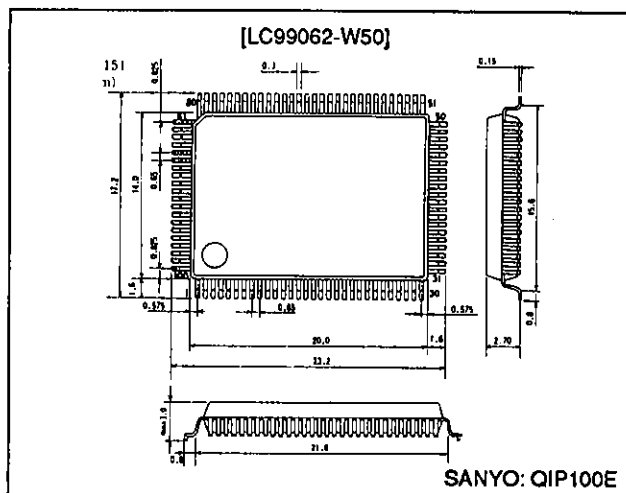
No.※5073A

LC99062-W50**Image Sensor Signal Processing LSI****Preliminary****Overview**

The LC99062-W50 is an external digital signal processor (DSP) that includes digital NTSC and PAL encoders on chip, and that supports color video. The LC99062-W50 is implemented in a single chip using standard cells.

Package Dimensions

unit: mm

3151-QIP100E**Specifications**Absolute Maximum Ratings at $T_a = 25^\circ\text{C}$, $V_{SS} = 0\text{ V}$

Parameter	Symbol	Conditions	Ratings	Unit
Maximum supply voltage	$V_{DD\text{ max}}$		-0.3 to +7.0	V
I/O voltages	V_I, V_O		-0.3 to $V_{DD} + 0.3$	V
Allowable power dissipation	$P_d\text{ max}$		850	mW
Operating temperature	T_{opr}		-15 to +65	$^\circ\text{C}$
Storage temperature	T_{stg}		-55 to +125	$^\circ\text{C}$
Soldering conditions		Hand soldering: 3 seconds	350	$^\circ\text{C}$
		Reflow: 10 seconds	235	$^\circ\text{C}$
I/O currents	I_I, I_O	Per individual I/O reference cell	± 20	mA

Allowable Operating Ranges at $T_a = -15$ to $+65^\circ\text{C}$, $V_{SS} = 0\text{ V}$

Parameter	Symbol	Conditions	min	typ	max	Unit
Supply voltage	V_{DD}		4.75	5.0	5.25	V
Input voltage range	V_{IN}		0		V_{DD}	V

SANYO Electric Co., Ltd. Semiconductor Business Headquarters

TOKYO OFFICE Tokyo Bldg., 1-10, 1 Chome, Ueno, Taito-ku, TOKYO, 110 JAPAN

LC99062-W50

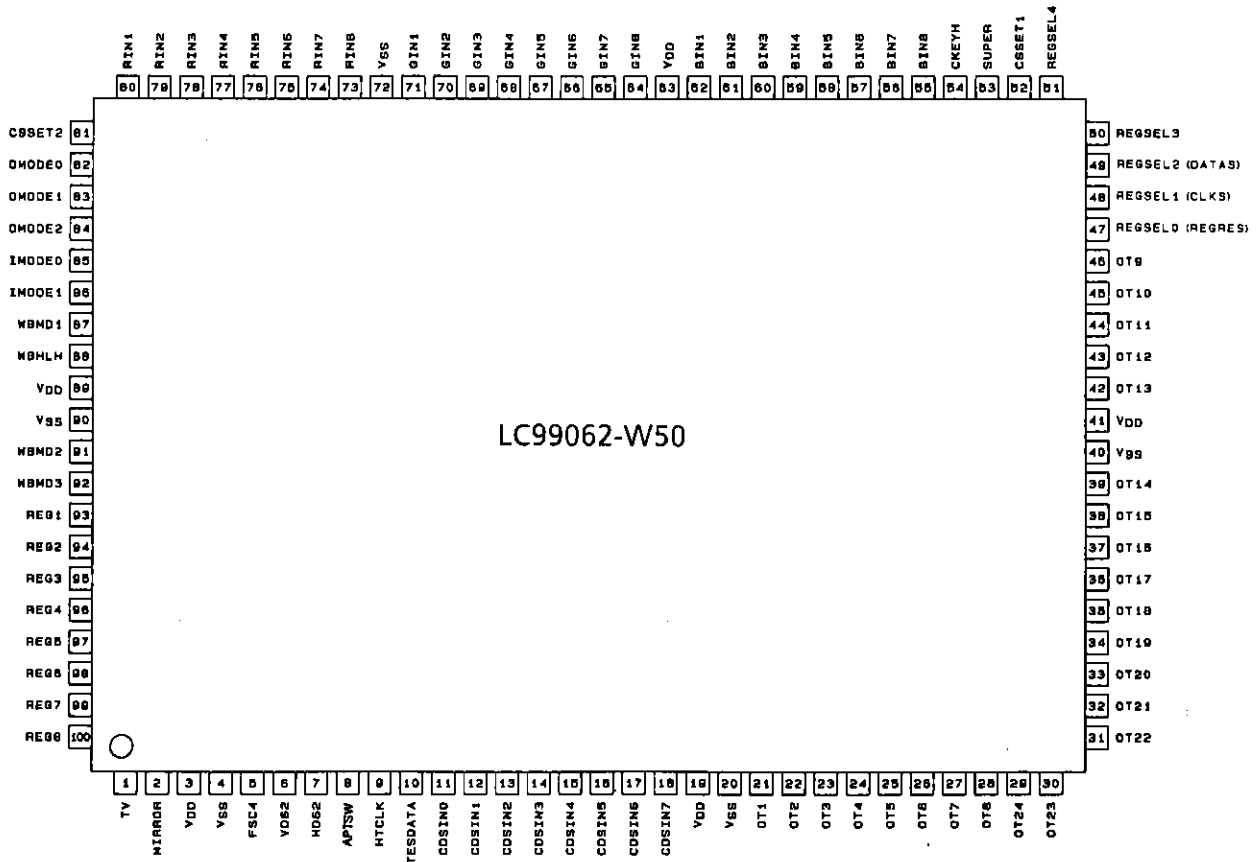
Electrical Characteristics at Ta = -15 to +65°C, V_{DD} = 4.75 to 5.25 V, V_{SS} = 0 V

Parameter	Symbol	Conditions	min	typ	max	Unit
Input high level voltage	V _{IH}	CMOS compatible; applicable pin (1)	0.7 V _{DD}			V
Input low level voltage	V _{IL}	CMOS compatible; applicable pin (1)			0.3 V _{DD}	V
Input high level voltage	V _{IH}	TTL compatible Schmitt; applicable pin (2)	2.5			V
Input low level voltage	V _{IL}	TTL compatible Schmitt; applicable pin (2)			0.6	V
Output high level voltage	V _{OH}	I _{OH} = -4 mA; applicable pin (3)	V _{DD} - 2.1			V
Output low level voltage	V _{OL}	I _{OL} = 4 mA; applicable pin (3)			0.4	V
Output high level voltage	V _{OH}	I _{OH} = -4 mA; applicable pin (4)	V _{DD} - 2.1			V
Output low level voltage	V _{OL}	I _{OL} = 4 mA; applicable pin (4)			0.4	V
Input leakage current	I _L	V _I = V _{SS} , V _{DD} ; applicable pins (1) and (2)	-10		+10	μA
Output leakage current	I _{OZ}	In high-impedance output mode; applicable pin (3)	-10		+10	μA

Note: The applicable pin sets are defined as follows:

- Input
 - (1)All input pins except REGSEL1 and REGSEL2
 - (2)REGSEL1, REGSEL2
- Output
 - (3)OT1 to OT24
 - (4)CRKEYH

Pin Assignment



Top view

A03961

LC99062-W50

Pin Functions

I/O → I: Input pin, O: Output pin, B: Bidirectional pin, P: Power supply pin, NC: Unconnected pin

Pin No.	Symbol	I/O	Function
1	TV	I	0: NTSC, 1: PAL
2	MIRROR	I	0: Normal, 1: Mirror
3	V _{DD}	P	
4	V _{SS}	P	
5	FSC4	I	CLK (from LC99052) NTSC: 14.31818 MHz, PAL: 14.1875 MHz
6	VD62	I	VD (from LC99052)
7	HD62	I	HD (from LC99052)
8	APTSW	I	Aperture switch 0: Off, 1: On
9	HTCLK	I	CLK = 8/3fsc (from LC99052)
10	TESDATA	I	0: Run
11	CDSIN0	I	8-bit data input (from LC99052) (LSB)
12	CDSIN1	I	8-bit data input (from LC99052)
13	CDSIN2	I	8-bit data input (from LC99052)
14	CDSIN3	I	8-bit data input (from LC99052)
15	CDSIN4	I	8-bit data input (from LC99052)
16	CDSIN5	I	8-bit data input (from LC99052)
17	CDSIN6	I	8-bit data input (from LC99052)
18	CDSIN7	I	8-bit data input (from LC99052) (MSB)
19	V _{DD}	P	
20	V _{SS}	P	
21	OT1	O	Output channel1 = CH1 (LSB)
22	OT2	O	Output channel1 = CH1
23	OT3	O	Output channel1 = CH1
24	OT4	O	Output channel1 = CH1
25	OT5	O	Output channel1 = CH1
26	OT6	O	Output channel1 = CH1
27	OT7	O	Output channel1 = CH1
28	OT8	O	Output channel1 = CH1 (MSB)
29	OT24	O	Output channel3 = CH3 (MSB)
30	OT23	O	Output channel3 = CH3
31	OT22	O	Output channel3 = CH3
32	OT21	O	Output channel3 = CH3
33	OT20	O	Output channel3 = CH3
34	OT19	O	Output channel3 = CH3
35	OT18	O	Output channel3 = CH3
36	OT17	O	Output channel3 = CH3 (LSB)
37	OT16	O	Output channel2 = CH2 (MSB)
38	OT15	O	Output channel2 = CH2
39	OT14	O	Output channel2 = CH2
40	V _{SS}	P	
41	V _{DD}	P	
42	OT13	O	Output channel2 = CH2
43	OT12	O	Output channel2 = CH2
44	OT11	O	Output channel2 = CH2
45	OT10	O	Output channel2 = CH2
46	OT9	O	Output channel2 = CH2 (LSB)
47	REGSEL0	I	(REGRES) 0: Register initialization 1: Register modification allowed
48	REGSEL1	I	(CLKS) Serial clock input
49	REGSEL2	I	(DATAS) Serial data input
50	REGSEL3	I	
51	REGSEL4	I	REGSEL [4:0] = (11110) or (11**1); OT (24 to 1) → High impedance
52	CSSET1	I	Must be set according to the phase of the LC99052 A/D converter clock. (This is true for pin 81 as well.) Recommended value for current conditions: 1
53	SUPER	I	Superimpose pulse input 1; superimpose 0; camera through
54	CKEYH	O	Chrominance key out H; chrominance key The delay time is changed by the settings of pins 85 and 86. See pins 85 and 86.

Continued on next page.

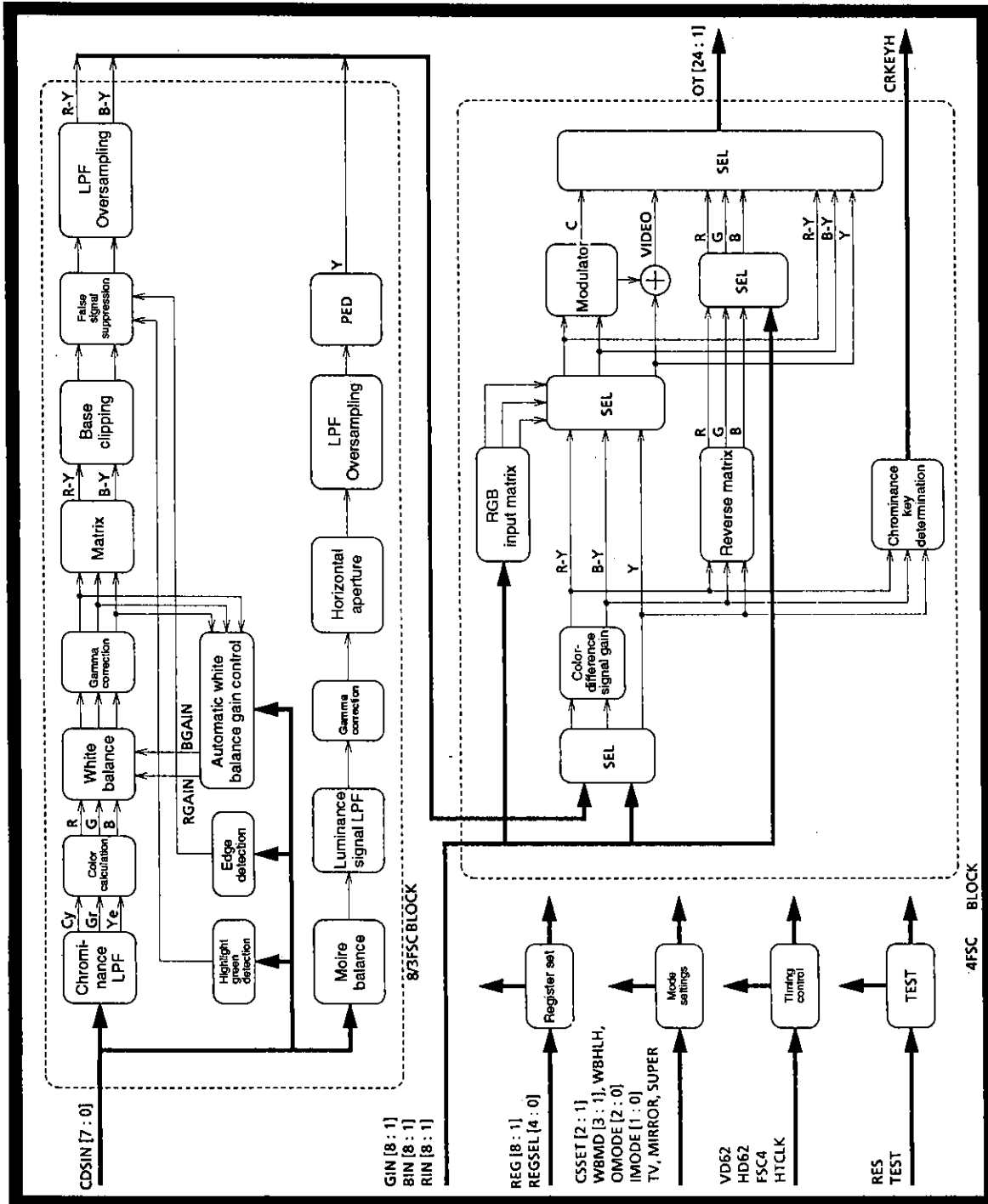
LC99062-W50

Continued from preceding page.

I/O → I: Input pin, O: Output pin, B: Bidirectional pin, P: Power supply pin, NC: Unconnected pin

Pin No.	Symbol	I/O	Function
55	BIN8	I	8-bit data input (MSB)
56	BIN7	I	8-bit data input
57	BIN6	I	8-bit data input
58	BIN5	I	8-bit data input
59	BIN4	I	8-bit data input
60	BIN3	I	8-bit data input or register setting pin
61	BIN2	I	8-bit data input or register setting pin
62	BIN1	I	8-bit data input (LSB) or register setting pin
63	V _{DD}	P	
64	GIN8	I	8-bit data input (MSB)
65	GIN7	I	8-bit data input
66	GIN6	I	8-bit data input
67	GIN5	I	8-bit data input
68	GIN4	I	8-bit data input
69	GIN3	I	8-bit data input or register setting pin
70	GIN2	I	8-bit data input or register setting pin
71	GIN1	I	8-bit data input (LSB) or register setting pin
72	V _{SS}	P	
73	RIN8	I	8-bit data input (MSB)
74	RIN7	I	8-bit data input
75	RIN6	I	8-bit data input
76	RIN5	I	8-bit data input
77	RIN4	I	8-bit data input
78	RIN3	I	8-bit data input or register setting pin
79	RIN2	I	8-bit data input or register setting pin
80	RIN1	I	8-bit data input (LSB) or register setting pin
81	CSSET2	I	Must be set according to the phase of the LC99052 A/D converter clock. (This is true for pin 52 as well.) Recommended value for current conditions: 1
82	OMODE0	I	Output mode select 000: Video (OT1 to OT8), ICON (OT24) 001: R (OT1 to OT8), G (OT9 to OT16), B (OT17 to OT24) 010: R-Y (OT1 to OT8), Y (OT9 to OT16), B-Y (OT17 to OT24) 011: Y (OT1 to OT8), C (OT9 to OT16), CSYNC (OT24) 100: Y (OT1 to OT8), U/V (OT9 to OT16), UVCONT (OT24) 101: VBS (OT1 to OT8), Y (OT12 to OT9), R-Y (OT16, OT15), B-Y (OT14, OT13) 110: VBS (OT1 to OT8), Y + CSYNC (OT9 to OT16), C (OT17 to OT24) 111: Y/U/V (OT1 to OT8)
83	OMODE1	I	
84	OMODE2	I	
85	IMODE0	I	Input mode select 00: R (RIN4 to RIN8), G (GIN4 to GIN8), B (BIN4 to BIN8)*1 01: R (RIN4 to RIN8), G (GIN4 to GIN8), B (BIN4 to BIN8)*2 10: R (RIN1 to RIN8), G (GIN1 to GIN8), B (BIN1 to BIN8)*1 11: Y (RIN1 to RIN8), V (GIN1 to GIN8), U (BIN1 to BIN8)*1 Note: 1. The output is synchronized with the chrominance key out. 2. The chrominance key out is output 16 clock cycles in advance of this output.
86	IMODE1	I	
87	WBMD1	I	White balance mode SW1
88	WBHLH	I	Auto white balance hold; 1: Hold, 0: Auto Note: * Hold this pin low when the internal register is used.
89	V _{DD}	P	
90	V _{SS}	P	
91	WBMD2	I	White balance mode SW2
92	WBMD3	I	White balance mode SW3
93	REG1	I	Register setting pin
94	REG2	I	Register setting pin
95	REG3	I	Register setting pin
96	REG4	I	Register setting pin
97	REG5	I	Register setting pin
98	REG6	I	Register setting pin
99	REG7	I	Register setting pin
100	REG8	I	Register setting pin

Block Diagram



A03692

Main Functions Provided by the LC99062-W50

DSP Functions for Sanyo Color CCD devices (LC9997G/LC9998G)

1. Luminance signal system processing
 - Includes a luminance matrix to reduce reflected noise (moire).
 - Includes a knee-processing circuit using complementary color filters.
 - Includes a seven-tap low-pass filter.
 - Gamma correction circuit using a five-line approximation technique. The intersection points for each line can be adjusted.
 - Provides second-order horizontal outline correction. The gain and coring are adjustable.
 - Forms a 1.5× sampling frequency conversion circuit.
2. Chrominance system signal processing
 - Includes a digital clamping circuit that prevents black balance slippage.
 - Forms the RGB signal using an 11-tap low-pass filter and a color calculation matrix.
 - Automatic white balance circuit
 - Includes all circuits and functions required for automatic white balance.
 - Allows switching between automatic and manual modes.
 - Allows holding from automatic mode.
 - Supports fine-grained gain settings using 7-bit gain data and a technique that takes valid bits into account. The R gain can be set from ×0.25 to ×4.0, and the B gain from ×0.5 to ×8.0.
 - Provides modes with seven patterns, including flesh correction.
 - Reduces incorrect operation by applying a response with hysteresis according to the degree of the discrepancy.
 - Gamma correction circuit using a three-line approximation technique
 - Includes a linear matrix for color difference signals. Allows color tone adjustment.
 - Includes a color noise suppression circuit that operates for low chrominance level signals. The suppression level is adjustable.
 - Includes a suppression circuit for false color signals that occur at edges and in high-luminance areas.
 - All of the above functions are formed with baseband signals.
 - Includes a 1.5x sampling frequency conversion circuit.

NTSC/PAL Encoder

- NTSC and PAL encoding is possible with only HD, VD, and CLK inputs (NTSC = 14.31818 MHz, PAL = 14.1875 MHz). In PAL mode, internal operations are used to generate the Fsc signal, and normally there is no need for a Fsc signal generated by a PLL or other circuit.
- The CSYNC, CBLK, and BF signals are formed internally.
- Allows burst phase adjustment (hue adjustment). (NTSC only)
- Allows pedestal and burst level adjustment.
- Includes a seven-tap low-pass filter for the color difference signals relative to the external RGB inputs. The luminance system 3.58 MHz trap can be turned on or off.

Input and Output Modes

1. Input modes
 - In addition to signal input from an LC99052-V64A, the LC99062-W50 also supports <R, G, B> and <Y, R-Y, B-Y> input modes.
 - Two of the above input systems can be superimposed.
2. Output modes
 - The LC99062-W50 supports eight output modes.
 - Composite video, 8-bit RGB, <Y, R-Y, B-Y>, <Y, C>, <Y, U/V>, and <4-bit Y, 2-bit R-Y, B-Y>
 - <Y + CSYNC, C> and <Y/U/V>

Other Functions

- **Simplified chrominance key function**
 - An arbitrary color can be detected by setting R-Y and B-Y data.
- A 2-pin serial interface is used for setting registers.
- Stand-alone operation is possible. The adjustments and settings are supported from external pins even in stand-alone mode.
- Support for mirror (left-right reversal) processing.

- No products described or contained herein are intended for use in surgical implants, life-support systems, aerospace equipment, nuclear power control systems, vehicles, disaster/crime-prevention equipment and the like, the failure of which may directly or indirectly cause injury, death or property loss.
 - Anyone purchasing any products described or contained herein for an above-mentioned use shall:
 - ① Accept full responsibility and indemnify and defend SANYO ELECTRIC CO., LTD., its affiliates, subsidiaries and distributors and all their officers and employees, jointly and severally, against any and all claims and litigation and all damages, cost and expenses associated with such use:
 - ② Not impose any responsibility for any fault or negligence which may be cited in any such claim or litigation on SANYO ELECTRIC CO., LTD., its affiliates, subsidiaries and distributors or any of their officers and employees jointly or severally.
 - Information (including circuit diagrams and circuit parameters) herein is for example only; it is not guaranteed for volume production. SANYO believes information herein is accurate and reliable, but no guarantees are made or implied regarding its use or any infringements of intellectual property rights or other rights of third parties.

This catalog provides information as of October, 1995. Specifications and information herein are subject to change without notice.