



No. ※4350

LC7234-8460

Single-chip PLL and Microcontroller  
with LCD Driver

Preliminary

OVERVIEW

The LC7234-8460 is a single-chip microcontroller that incorporates a phase-locked loop (PLL) and a liquid crystal display driver.

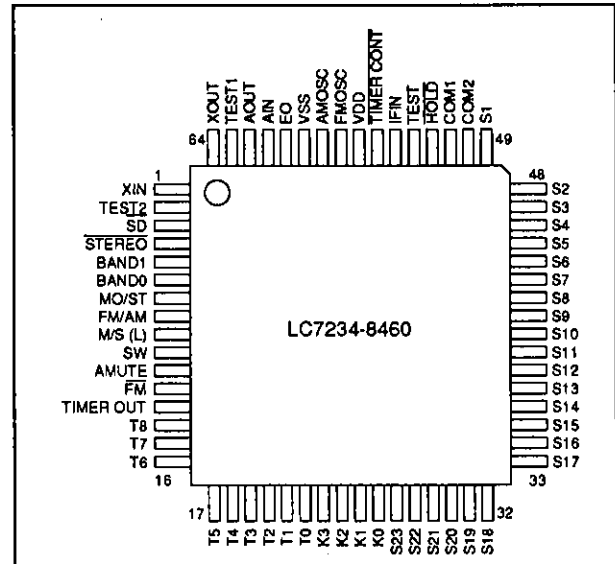
The LC7234-8460 operates over the American, European, Chinese, Middle Eastern, Canadian and Australian LW, MW, SW and FM bands, and incorporates preset-channel memory, automatic or manual tuning, high-speed station search, and clock and timer functions.

The LC7234-8460 operates from a 5 V supply and is available in 64-pin QIPs.

FEATURES

- Operates over the LW, MW, SW1, SW2 and FM bands
- Three selectable preset memory configurations
- Automatic tuning or manual preset memory scan
- High-speed station search
  - FM band: 60 ms per step
  - AM band: 70 ms per step
- Clock function
- ON, OFF and SLEEP timer functions
- Logic-level and momentary switch band select inputs
- LCD display with wide viewing angle and high contrast over a wide operating temperature range
- On-chip amplifier for external lowpass filter
- External RC network for reset not required
- Forced mono mode
- High signal-to-noise ratio
- Single 5 V supply
- 64-pin QIPs

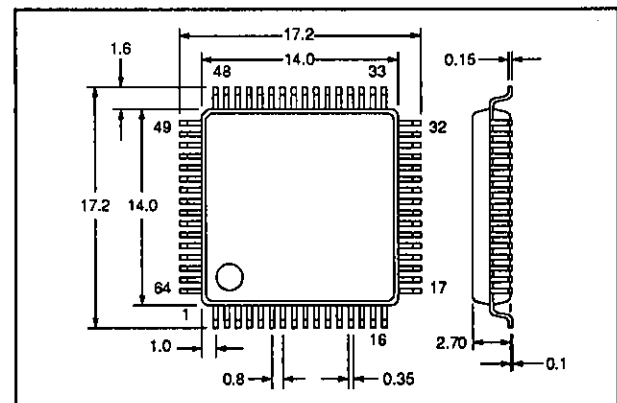
PINOUT



PACKAGE DIMENSIONS

Unit: mm

3159-QIP64E



## PIN DESCRIPTION

Number	Name	Description
1	XIN	4.5 MHz crystal oscillator input connection
2	TEST2	Test input. Normally connected to GND.
3	$\overline{SD}$	Active-LOW station detect input. During autotuning, this input is active when a station is detected. Connect to VSS when not in use.
4	$\overline{STEREO}$	Active-LOW stereo detect input. When LOW during FM mode, the STEREO display LED is ON. Connect to VDD when not in use.
5	BAND1	Band select inputs. Active when SELBND is 0. See the band select tables.
6	BAND0	
7	MO/ST	Active-HIGH mono/stereo indicator output. Mono when LOW and stereo when HIGH. LOW level after reset. Leave open when not in use.
8	FM/AM	Active-HIGH FM/AM band select output. AM when LOW and FM when HIGH. HIGH level after reset. Leave open when not in use.
9	M/S (L)	Active-LOW medium/short wave band select output. MW when HIGH and SW (LW) when LOW. LOW level after reset. Leave open when not in use.
10	SW	Active-HIGH short wave band select output. SW1 when LOW and SW2 when HIGH. LOW level after reset. Leave open when not in use.
11	AMUTE	Active-HIGH audio mute control output. Cuts the audio output when changing receiver frequency. HIGH level after reset. Leave open when not in use.
12	$\overline{FM}$	Active-HIGH AM/FM select output. FM when LOW and AM when HIGH. LOW level after reset. leave open when not in use.
13	TIMER OUT	Active-HIGH timer control output. HIGH during timer and sleep mode operation. LOW level after reset. Leave open when not in use.
14 to 17	T8 to T5	Active-HIGH diode matrix scan outputs. The matrix is scanned when a LOW-to-HIGH transition occurs on $\overline{HOLD}$ . Device is initialized if data has changed. LOW level after reset. Leave open when not in use.
18 to 22	T4 to T0	Active-HIGH key matrix scan outputs. The key matrix is scanned only when the corresponding key is pressed. Goes HIGH after each scan. HIGH level after reset. Leave open when not in use.
23 to 26	K3 to K0	Active-HIGH key scan inputs. Connect to VSS when not in use.
27 to 49	S23 to S1	Segment driver outputs. Leave open when not in use.
50, 51	COM2, COM1	Common driver outputs. Leave open when not in use.
52	$\overline{HOLD}$	Active-LOW hold mode control input. When a HIGH-to-LOW transition occurs and the clock is operating, hold mode is selected ( $I_{DD} = 0.7$ mA typ.). When a HIGH-to-LOW transition occurs and the clock is not operating, backup mode is selected ( $I_{DD} = 5$ $\mu$ A max.).
53	TEST	Active-HIGH test input. See the Test key description for further information.
54	IFIN	AM/FM IF signal input. Connect to VSS when not in use.
55	$\overline{TIMER CONT}$	Active-LOW timer control input. Timer operating when LOW and not operating when HIGH. Connect to VDD when not in use.
56	VDD	5 V supply
57	FMOSC	FM local oscillator input. Connect to VSS when not in use.
58	AMOSC	AM local oscillator input. Connect to VSS when not in use.
59	VSS	Ground
60	EO	Phase comparator output
61	AIN	Lowpass filter amplifier input connection. Connect to VSS when not in use.

Number	Name	Description
62	AOUT	Lowpass filter amplifier output connection. Connect to VSS when not in use.
63	TEST1	Test input. Normally connected to GND.
64	XOUT	4.5 MHz crystal oscillator output connection

## SPECIFICATIONS

### Absolute Maximum Ratings

$T_a = 25\text{ }^\circ\text{C}$ ,  $V_{SS} = 0\text{ V}$

Parameter	Symbol	Conditions	Rating	Unit
Supply voltage range	$V_{DD}$		-0.3 to 6.5	V
Input voltage range	$V_{IN1}$	HOLD, TEST, $\overline{SD}$ , STEREO, TIMER CONT, BAND0, BAND1	-0.3 to 13	V
	$V_{IN2}$	All other inputs	-0.3 to $V_{DD} + 0.3$	
Output voltage range	$V_{OUT1}$	MO/ST, FM/AM, AOUT	-0.3 to 15	V
	$V_{OUT2}$	All other outputs	-0.3 to $V_{DD} + 0.3$	
Output current range	$I_{OUT1}$	MO/ST, FM/AM	0 to 5	mA
	$I_{OUT2}$	M/S(L), SW, AMUTE, $\overline{FM}$ , TIMER OUT, T6 to T8	0 to 3	
	$I_{OUT3}$	T0 to T5	0 to 1	
	$I_{OUT4}$	AOUT	0 to 2	
Power dissipation	$P_D$	$T_a = -40\text{ to }85\text{ }^\circ\text{C}$	400	mW
Operating temperature range	$T_{opr}$		-40 to 85	$^\circ\text{C}$
Storage temperature range	$T_{stg}$		-45 to 125	$^\circ\text{C}$

### Recommended Operating Conditions

$T_a = -40\text{ to }85\text{ }^\circ\text{C}$ ,  $V_{DD} = 3.5\text{ to }5.5\text{ V}$

Parameter	Symbol	Condition	Rating			Unit
			min	typ	max	
Supply voltage	$V_{DD1}$	CPU, PLL operating	4.5	-	5.5	V
	$V_{DD2}$	CPU operating	3.5	-	5.5	
	$V_{DD3}$	Data retention	1.3	-	5.5	
HIGH-level input voltage	$V_{IH1}$	$\overline{SD}$ , $\overline{STEREO}$ , BAND0, BAND1, TIMER CONT	$0.7V_{DD}$	-	8.0	V
	$V_{IH2}$	K0 to K3, TEST	$0.6V_{DD}$	-	$V_{DD}$	
	$V_{IH3}$	HOLD	$0.8V_{DD}$	-	8.0	
LOW-level input voltage	$V_{IL1}$	$\overline{SD}$ , $\overline{STEREO}$ , BAND0, BAND1, TIMER CONT	0	-	$0.3V_{DD}$	V
	$V_{IL2}$	HOLD	0	-	$0.4V_{DD}$	
	$V_{IL3}$	K0 to K3, TEST	0	-	$0.2V_{DD}$	

LC7234-8460

Parameter	Symbol	Condition	Rating			Unit
			min	typ	max	
Input frequency	$f_{IN1}$	XIN	4.0	4.5	5.0	MHz
	$f_{IN2}$	FMOSC, $V_{IN2}$ , $V_{DD1}$	10	–	130	
	$f_{IN3}$	AMOSC (LW, MW), $V_{IN3}$ , $V_{DD1}$	0.5	–	10	
	$f_{IN4}$	AMOSC (SW), $V_{IN4}$ , $V_{DD1}$	2.0	–	40	
	$f_{IN5}$	IFIN, $V_{IN5}$ , $V_{DD1}$	0.4	–	12	
Input amplitude	$V_{IN1}$	XIN	0.50	–	1.5	$V_{rms}$
	$V_{IN2}$	FMOSC	0.10	–	1.5	
	$V_{IN3,4}$	AMOSC	0.10	–	1.5	
	$V_{IN5}$	IFIN	0.10	–	1.5	

Electrical Characteristics

Under recommended operating conditions

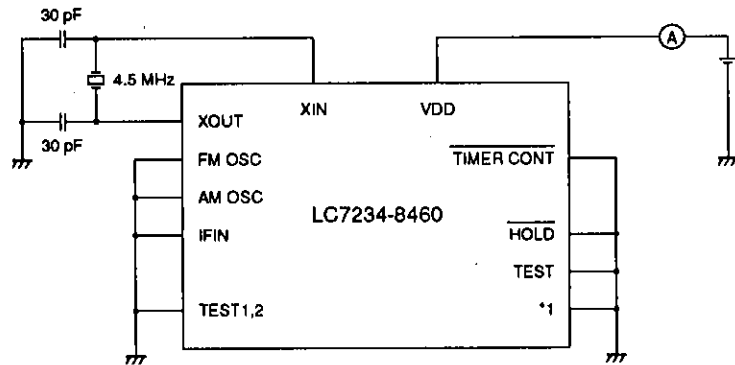
Parameter	Symbol	Condition	Rating			Unit
			min	typ	max	
Power-down detection voltage	$V_{DET}$		2.7	3.0	3.3	V
HIGH-level input current	$I_{IH1}$	HOLD, SD, STEREO, TIMER CONT, TEST, BANDO, BAND1: $V_I = 5.5$ V	–	–	3.0	$\mu$ A
	$I_{IH2}$	XIN: $V_I = V_{DD} = 5.0$ V	2.0	5.0	15	
	$I_{IH3}$	FMIN, AMIN, IFIN: $V_I = V_{DD} = 5.0$ V	4	10	30	
	$I_{IH4}$	K0 to K3: $V_I = V_{DD} = 5.0$ V	–	50	–	
	$I_{IH5}$	AIN: $V_I = V_{DD}$	–	0.1	10	nA
LOW-level input current	$I_{IL1}$	$V_I = V_{SS}$ , HOLD, SD, STEREO, TIMER CONT, TEST, BANDO, BAND1	–	–	3.0	$\mu$ A
	$I_{IL2}$	$V_I = V_{SS}$ , XIN	2.0	5.0	15	
	$I_{IL3}$	$V_I = V_{SS}$ , FM OSC, AM OSC, IFIN	4.0	10	30	
	$I_{IL4}$	AIN: $V_I = V_{SS}$	–	0.01	10	nA
Input floating voltage	$V_{IF}$	K0 to K3	–	–	$0.05V_{DD}$	V
Pull-down resistance	$R_{PD}$	K0 to K3, $V_{DD} = 5$ V	75	100	200	k $\Omega$
Output OFF leakage current	$I_{OFFH1}$	EO: $V_O = V_{DD}$	–	0.1	10	$\mu$ A
	$I_{OFFH2}$	T0 to T8, TIMER OUT, FM, AMUTE, SW, M/S(L): $V_O = V_{DD}$	–	–	3.0	
	$I_{OFFH3}$	FM/AM, MO/ST: $V_O = 13$ V	–	–	5.0	
	$I_{OFFH4}$	AOUT: $V_O = 13$ V	–	–	1.0	

LC7234-8460

Parameter	Symbol	Condition	Rating			Unit
			min	typ	max	
Output OFF leakage current	I <sub>OFFL1</sub>	EO: V <sub>O</sub> = V <sub>SS</sub>	-	0.01	10	nA
	I <sub>OFFL2</sub>	T0 to T8, TIMER OUT, FM, AMUTE, SW, M/S(L): V <sub>O</sub> = V <sub>SS</sub>	-	-	3.0	μA
HIGH-level output voltage	V <sub>OH1</sub>	T0 to T5: I <sub>O</sub> = 1 mA	V <sub>DD</sub> - 2.0	V <sub>DD</sub> - 1.0	V <sub>DD</sub> - 0.5	V
	V <sub>OH2</sub>	T6 to T8, TIMER OUT, FM, AMUTE, SW, M/S (L): I <sub>O</sub> = 1 mA	V <sub>DD</sub> - 1.0	-	-	
	V <sub>OH3</sub>	EO: I <sub>O</sub> = 500 μA	V <sub>DD</sub> - 1.0	-	-	
	V <sub>OH4</sub>	XOUT: I <sub>O</sub> = 200 μA	V <sub>DD</sub> - 1.0	-	-	
	V <sub>OH5</sub>	S1 to S23: I <sub>O</sub> = -0.1 mA	V <sub>DD</sub> - 1.0	-	-	
	V <sub>OH6</sub>	COM1, COM2: I <sub>O</sub> = 25 μA	V <sub>DD</sub> - 0.75	V <sub>DD</sub> - 0.5	V <sub>DD</sub> - 0.3	
LOW-level output voltage	V <sub>OL1</sub>	T1 to T5: I <sub>O</sub> = 50 μA	0.5	1.0	2.0	V
	V <sub>OL2</sub>	T6 to T8, TIMER OUT, FM, AMUTE SW, M/S (L): I <sub>O</sub> = 1 mA	-	-	1.0	
	V <sub>OL3</sub>	EO: I <sub>O</sub> = 50 μA	-	-	1.0	
	V <sub>OL4</sub>	XOUT: I <sub>O</sub> = 200 μA	-	-	1.0	
	V <sub>OL5</sub>	S1 to S23: I <sub>O</sub> = 0.1 mA	-	-	1.0	
	V <sub>OL6</sub>	AOUT: I <sub>O</sub> = 5 mA, AIN = 1.3 V	-	-	0.5	
	V <sub>OL7</sub>	COM1, COM2: I <sub>O</sub> = 25 μA	0.3	0.5	0.75	
	V <sub>OL8</sub>	FM/AM, MO/ST: I <sub>O</sub> = 5 mA	0.75 (150 Ω)	-	2.0 (400 Ω)	
MID-level output voltage	V <sub>M</sub>	COM1, COM2, V <sub>DD</sub> = 5 V, I <sub>O</sub> = 20 μA	2.0	2.5	3.0	V
Supply current	I <sub>DD1</sub>	V <sub>DD1</sub> , f <sub>M2</sub> = 130 MHz	-	15	20	mA
	I <sub>DD2</sub>	V <sub>DD2</sub> , PLL operating, Hold mode measurement circuit	-	0.7	-	
	I <sub>DD3</sub>	V <sub>DD</sub> = 5.5 V, Oscillator operating, T <sub>a</sub> = 25 °C, Backup mode measurement circuit	-	-	5	μA
	I <sub>DD4</sub>	V <sub>DD</sub> = 2.2 V, Oscillator stopped, T <sub>a</sub> = 25 °C, Backup mode measurement circuit	-	-	1	

Measurement Circuits

Hold mode  $I_{DD2}$

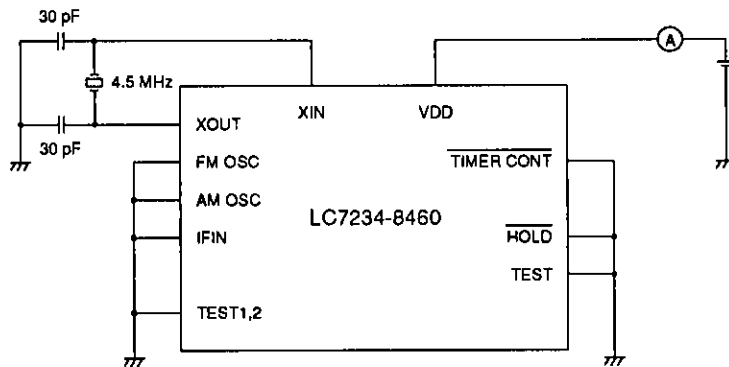


Note

\*1 = pins K0 to K3,  $\overline{SD}$ ,  $\overline{STEREO}$ , BAND0 and BAND1

Pins T0 to T8, TIMER OUT, FM, AMUTE, SW, M/S(L), FM/AM, MO/ST = open

Backup mode  $I_{DD3}$



Note

Pins K0 to K4,  $\overline{SD}$ ,  $\overline{STEREO}$ , BAND0, BAND1, T0 to T8, TIMER OUT, FM, AMUTE, SW, M/S(L), FM/AM, MO/ST, S1 to S23, COM1, COM2 = open

**FUNCTIONAL DESCRIPTION**

**Band Coverage**

Region	Band	Frequency range [FM, SW (MHz) AM (kHz)]	Frequency step (kHz)	Comparison frequency (kHz)	Center frequency [FM (MHz) AM (kHz)]	B2	B1	B0
China	FM	87.0 to 108.0	100/50	25	10.7	0	0	0
	MW <sub>a</sub>	531 to 1602	9	9	450/468			
	MW <sub>b</sub>	522 to 1611	9	9	450/468			
	SW1	2.28 to 6.23	5	5	450			
	SW2	7.1 to 21.85	5	5	450			
United States 1	FM	87.5 to 107.9	200	50	10.7	0	0	1
	MW <sub>a</sub>	531 to 1602	9	9	450/468			
	MW <sub>b</sub>	530 to 1710	10	10	450			
United States 2	FM	87.5 to 108.0	100	50	10.7	0	1	0
	MW <sub>a</sub>	531 to 1602	9	9	450/468			
	MW <sub>b</sub>	530 to 1710	10	10	450			
Europe	FM	87.5 to 108.0	100/50	25	10.7	1	0	0
	MW <sub>a</sub>	531 to 1602	9	9	450/468			
	MW <sub>b</sub>	522 to 1611	9	9	450/468			
	LW	146 to 281	1	1	450/468			
Middle East	FM	87.5 to 108.0	100/50	25	10.7	0	1	1
	MW <sub>a</sub>	531 to 1602	9	9	450/468			
	MW <sub>b</sub>	522 to 1611	9	9	450/468			
	SW1	2.28 to 6.23	5	5	450			
	SW2	7.1 to 21.85	5	5	450			
Common 1	FM	87.5 to 108.0	100/50	25	10.7	1	0	1
	MW <sub>a</sub>	531 to 1602	9	9	450/468			
	MW <sub>b</sub>	531 to 1602	9	9	450/468			
	SWA	5.95 to 15.6	5	5	450			
Common 2	FM	87.5 to 108.0	100/50	25	10.7	1	1	0
	MW <sub>a</sub>	531 to 1602	9	9	450/468			
	MW <sub>b</sub>	522 to 1611	9	9	450/468			
	SWB	3.8 to 12.5	5	5	450			
Canada, Australia	FM	87.5 to 108.0	100/50	25	10.7	1	1	1
	MW <sub>a</sub>	531 to 1602	9	9	450/468			
	MW <sub>b</sub>	522 to 1611	9	9	450/468			
World	FM	87.5 to 108.0	100/50	25	10.7	WORLD = 1		
	MW <sub>a</sub>	531 to 1602	9	9	450/468			
	MW <sub>b</sub>	522 to 1611	9	9	450/468			
	LW	146 to 281	1	1	450/468			
	SWB	3.8 to 12.5	5	5	450			

**Band Selection**

When SELBND is 0, BAND0 and BAND1 select the frequency band as shown in the following table. When

SELBND is 1, the **BAND**, **FM**, **MW**, **LW** and **SW** keys select the frequency band.

BAND 1	BAND 0	U.S.A., Canada, Australia	Europe	Middle East, China	Common 1	Common 2	World
0	0	FM	FM	FM	FM	FM	FM
0	1	(FM)	LW	SW1	(FM)	(FM)	LW
1	0	AM	MW	MW	MW	MW	MW
1	1	(FM)	(FM)	SW2	SWA	SWB	SWB

The frequency band selection determines the logic levels of FM/AM, M/S(L), SW and  $\overline{FM}$  as shown in the following table.

BAND	Pin name			
	FM/AM	M/S (L)	SW	$\overline{FM}$
FM	HIGH	LOW	LOW	LOW
MW	LOW	HIGH	LOW	HIGH
SW1 (LW)	LOW	LOW	LOW	HIGH
SW2	LOW	LOW	HIGH	HIGH

**SW band search ranges**

BAND	Frequency range (MHz)
SW1	2.28 to 2.495
	3.2 to 3.4
	3.8 to 4.0
	4.75 to 5.06
	5.95 to 6.23
SW2	7.1 to 7.3
	9.5 to 9.9
	11.65 to 12.5
	13.6 to 13.8
	15.1 to 15.6
	17.55 to 17.9
	21.45 to 21.85
SWA	5.95 to 6.23
	7.1 to 7.3
	9.5 to 9.9
	11.65 to 12.5
	13.6 to 13.8
	15.1 to 15.6
SWB	3.8 to 4.0
	4.75 to 5.06
	5.95 to 6.23
	7.1 to 7.3
	9.5 to 9.9
	11.65 to 12.5

**Preset Memory Channels**

Preset memory values		Number of frequency bands			
PSCH2	PSCH1	FM	MW	SW1/LW	SW2
0	0	8	8	8	8
0	1	5	5	5	5
1	0	16	8	8	8
1	1	Illegal			

**Key/diode Matrix**

**Diode matrix functions**

Diode matrix name	ON/OFF	Function
CLOCK	0	Without clock functions
	1	With clock functions
12/24H	0	12-hour clock
	1	24-hour clock
COLON	0	Flashing. ON for 500 ms, OFF for 500 ms
	1	ON
IFCNT	0	No
	1	Yes
SELIF	0	450 kHz
	1	468 kHz
SELF M	0	100 kHz
	1	50 kHz
SELMW	0	MW <sub>a</sub> frequency range select
	1	MW <sub>b</sub> frequency range select
SELTMR	0	Without timer
	1	With timer
SELBAND	0	Logic-level input band select
	1	Momentary switch band select
WORLD	0	Band select using B0, B1 and B2
	1	Selects WORLD band.

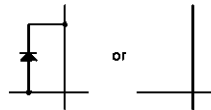


Function positions

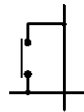
Output	Input			
	K0	K1	K2	K3
T0	CH1/TIMER ON	CH2/TIMER OFF	CH3	CH4
T1	CH5	CH6	CH7	CH8
T2	UP	DOWN	PS	ME
T3	BAND	MO/ST	SLEEP	DISPLAY
T4	FM	MW	LW (SW1)	SW, (SW2) (SWA), (SWB)
T5	B0 ▲	B1 ▲	B2 ▲	
T6	CLOCK ▲	12/24H ▲	COLON ▲	IFCNT ▲
T7	SELIF ▲	SELFM ▲	SELMW ▲	SELTMR ▲
T8	SELBND ▲	PSCH1 ▲	PSCH2 ▲	WORLD ▲

Notes

1. A ▲ indicates that the diode matrix element has either of the following configurations.



2. No ▲ indicates that the diode matrix element has a momentary switch configuration.

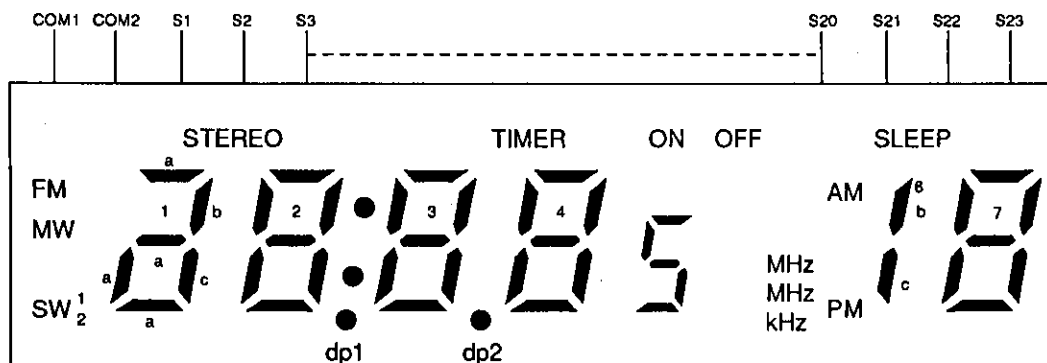


LCD Display Driver

China and the Middle East

The configuration of the LCD panel used in China and the Middle East only is shown in the following figure,

and the pin-to-segment relationship, in the following table.

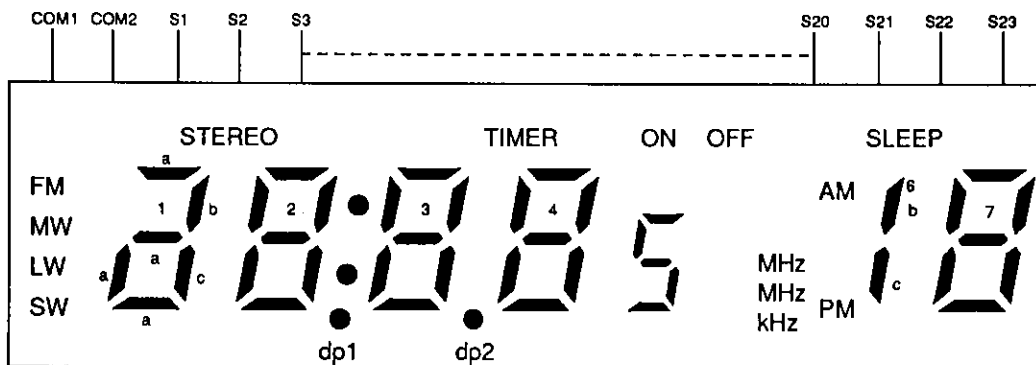


Segment output	Common driver output		Segment output	Common driver output	
	COM1	COM2		COM1	COM2
S1	1	MW·KHz	S13	4f	4a
S2	SW·dp1·MHz	FM·dp2·MHz	S14	4b	4g
S3	1a	2	S15	4e	4c
S4	1c	1b	S16	4d	TIMER
S5	2f	2a	S17	ON	OFF
S6	2b	2g	S18	5	AM
S7	2e	2c	S19	7f	7a
S8	2d	STEREO	S20	7b	7g
S9	3f	3a	S21	7e	7c
S10	3b	3g	S22	7d	SLEEP
S11	3e	3c	S23	6b, c	PM
S12	3d	COLON	-	-	-

**All other regions**

The configuration of the LCD panel used in all regions other than China and the Middle East is shown in the

following figure, and the pin-to-segment relationship, in the following table.



Segment output	Common driver output		Segment output	Common driver output	
	COM1	COM2		COM1	COM2
S1	KHz	MW	S13	4f	4a
S2	SW1·dp1·MHz	FM·dp2·MHz	S14	4b	4g
S3	1a	LW	S15	4e	4c
S4	1c	1b	S16	4d	TIMER
S5	2f	2a	S17	ON	OFF
S6	2b	2g	S18	5	AM
S7	2e	2c	S19	7f	7a
S8	2d	STEREO	S20	7b	7g
S9	3f	3a	S21	7e	7c
S10	3b	3g	S22	7d	SLEEP
S11	3e	3c	S23	6b, c	PM
S12	3d	COLON	-	-	-

## Hold Mode

When the clock is enabled and  $\overline{\text{HOLD}}$  makes a HIGH-to-LOW transition, the FMOSC, AMOSC, IFIN and TEST inputs are disabled and only the clock operates. In this mode, the supply current is reduced to 0.7 mA (typ).

## Backup Mode

When the clock is disabled and  $\overline{\text{HOLD}}$  makes a HIGH-to-LOW transition, the FMOSC, AMOSC, IFIN and TEST inputs are disabled and the 4.5 MHz crystal oscillator is halted. In this mode, the supply current is reduced to 5  $\mu\text{A}$  (max).

As AMUTE becomes high impedance in backup mode, a pull-down resistor should be connected between AMUTE and ground.

## Key Functions

### Frequency display

PSCH2 and PSCH1 = LOW

#### Write mode

When **ME** is pressed, the flashing preset number 'P' appears and the system enters write mode for 5 seconds.

If one of the preset memory keys **CH1** to **CH8** is pressed within 5 seconds, the presently selected frequency and status are written to the corresponding channel.

If **ME** is pressed while 'P' is displayed, write mode is extended.

When the same preset memory key is pressed twice, AMUTE goes HIGH.

If any other key is pressed or if  $\overline{\text{HOLD}}$  makes a HIGH-to-LOW transition, write mode is canceled.

#### Read mode

When one of the preset memory keys **CH1** to **CH8** is pressed, the corresponding frequency and status are displayed.

PSCH2 = LOW and PSCH1 = HIGH

#### Write mode

When **ME** is pressed, the flashing preset number 'P' appears and the system enters write mode for 5 seconds.

If one of the preset memory keys **CH1** to **CH8** is pressed within 5 seconds, the presently selected frequency and status are written to the corresponding channel.

If **ME** is pressed while 'P' is displayed, write mode is extended. When the same preset memory key is pressed twice, AMUTE goes HIGH.

If any other key is pressed or if  $\overline{\text{HOLD}}$  makes a HIGH-to-LOW transition, write mode is canceled.

#### Read mode

When one of the preset memory keys **CH1** to **CH8** is pressed, the corresponding frequency and status are displayed.

PSCH2 = HIGH and PSCH1 = LOW

#### Write mode

When **ME** is pressed, a flashing 'P1' appears in the frequency display area and the system enters write mode for 5 seconds.

If one of the preset memory keys **CH1** to **CH8** is pressed within 5 seconds, the frequency and status are written to the corresponding channel of channels 1 to 8.

When the FM band is selected, pressing **ME** while 'P1' is flashing changes the display to a flashing 'P2'. If one of the preset memory keys **CH1** to **CH8** is then pressed within 5 seconds, the frequency and status are written to the corresponding channel of channels 9 to 16.

If **ME** is pressed while 'P2' is flashing, write mode is canceled.

When the AM band is selected, pressing **ME** while 'P1' is flashing cancels the write mode.

#### Read mode

When the FM band is selected and one of the preset memory keys **CH1** to **CH8** is pressed once, the frequency and status are read from the corresponding channel of channels 1 to 8.

If one of the preset memory keys is pressed twice, the frequency and status are read from the corresponding channel of channels 9 to 16.

When the AM band is selected and one of the preset memory keys **CH1** to **CH8** is pressed, the corresponding frequency is read out.

## UP and DOWN

When  $\overline{\text{HOLD}}$  is HIGH, each time **UP** or **DOWN** is pressed, the frequency will go up or down by one step, respectively. If you hold down one of these keys for more than 500 ms, autosearch mode will start, and the next broadcasting station in the corresponding direction will be searched for. The search speed is 60 ms/step for the FM band and 70 ms/step for the AM band.

Autosearch pauses for 500 ms when either key is pressed, regardless of whether a station has been detected, and then resumes. Autosearch searches from one edge of the band to the other, pauses for 500 ms and then resumes searching.

**BAND**

When **HOLD** is HIGH, **BAND** is used to select the frequency band. Each time **BAND** is pressed, the frequency band will change as shown in figures 1 and 2. The band select keys are shown in figure 3.

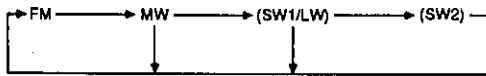


Figure 1. Band selection (WORLD = 0)

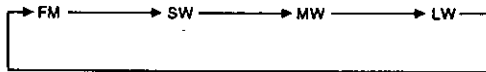


Figure 2. Band selection (WORLD = 1)



Figure 3. Band select keys

**PS**

When **PS** is pressed, the channel number changes to the next highest channel number than the one currently selected. If no channel number is currently selected, then channel number 1 is selected. In this case, AMUTE will go LOW for 5 s if a signal is received.

During **PS** mode, the channel number flashes at 1 Hz (500 ms ON and 500 ms OFF).

**PS** mode is canceled if any of **PS**, **UP**, **DOWN**, **CH1** to **CH8**, or **BAND** are pressed, or if **HOLD** makes a HIGH-to-LOW transition.

**MO/ST**

**MO/ST** is used when receiving in the FM band. When **MO/ST** is pressed, the MO/ST port output will toggle between mono and stereo.

**Clock display**

When the clock or timer setting is displayed, **CH3** to **CH8** function in the same way as when the frequency is displayed.

When **ME** is pressed, the hour and minute digits and the separating colon start flashing and the system enters set mode. In this mode, use **UP** to alter the minute and **DOWN** to alter the hour. The segments continue flashing between **UP** and **DOWN** key operations.

**UP**

Each time **UP** is pressed, the minute setting increases by 1. If **UP** is held down for more than 500 ms, the minute setting increases at a rate of 8 min/s.

When adjusting the minute setting, the second setting is reset to 0 s. The second setting cannot be adjusted independently from the minute setting.

**DOWN**

Each time **DOWN** is pressed, the hour setting increases by 1. If **DOWN** is held down for more than 500 ms, the hour setting increases at a rate of 4 hr/s.

The second setting is not changed when adjusting the hour setting.

**Cancelling set mode**

If no key is pressed for 5 s or **ME** is pressed twice, set mode is canceled automatically.

If any other key is pressed, set mode is canceled and the key operation is executed.

**Timer display**

When **CH1/TIMER ON** is pressed, the ON time is selected, 'TIMER' and 'ON' are displayed, the hour and minute digits and the separating colon start flashing (500 ms ON and 500 ms OFF), and the system enters set mode. In this mode, use **UP** to alter the minute and **DOWN** to alter the hour.

When **CH2/TIMER OFF** is pressed, the OFF time is selected, 'TIMER' and 'OFF' are displayed, the hour and minute digits and the separating colon start flashing (500 ms ON and 500 ms OFF), and the system enters set mode. In this mode, use **UP** to alter the minute and **DOWN** to alter the hour.

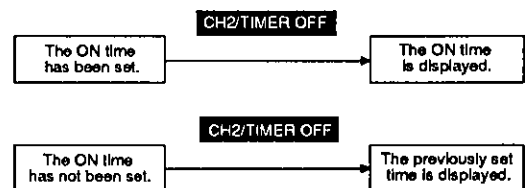


Figure 4. Timer setting

The timer setting mode is canceled by pressing the same key twice or by pressing a mode cancel input key. If no key is pressed, the timer setting mode is canceled automatically after five seconds.

**UP**

Each time **UP** is pressed, the minute setting increases by 1. If **UP** is held down for more than 500 ms, the minute setting increases at a rate of 8 min/s.

**DOWN**

Each time **DOWN** is pressed, the hour setting increases by 1. If **DOWN** is held down for more than 500 ms, the hour setting increases at a rate of 4 hr/s.

**UP or DOWN**

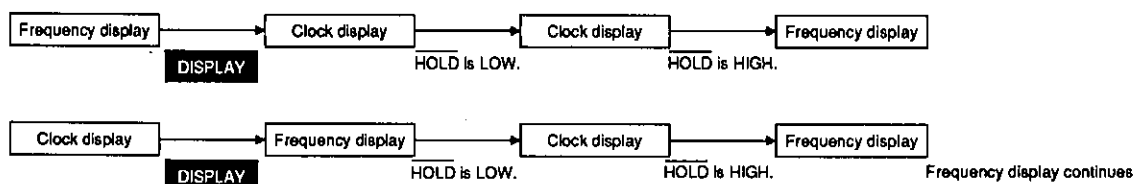
When you press either key, the hour and minute digits and the separating colon stop flashing and remain ON.

**Other keys**

**DISPLAY**

When **HOLD** is HIGH and the clock is enabled (DIMRX CLOCK = 1), use **DISPLAY** to change what is displayed. Each time **DISPLAY** is pressed, the display

toggles between the frequency display and clock displays as shown in the following figure.



**SLEEP**

**SLEEP** is used to set the sleep time. If **SLEEP** is pressed while 'SLEEP' is not displayed, 'SLEEP' and '90' appear on the display. Each time **SLEEP** is pressed while the sleep time is displayed, the sleep time decreases by 10 minutes. Five seconds after setting the sleep time, the previous display is restored. If the sleep time is set to 0, the 'SLEEP' display disappears and the sleep mode setting is canceled.

When in sleep mode, **TIMER OUT** is HIGH.

If the sleep time has already been set, **SLEEP** can be pressed to check the remaining sleep time even while the frequency or clock is displayed. After 5 s, the previous display is restored.

**TEST**

When **TEST** is pressed and **HOLD** makes a LOW-to-HIGH transition, all segments of the LCD turn ON. If **TEST** is pressed again, the clock display turns ON, assuming there is a clock, and starts counting at a rate of 1 min/s. If there is no clock, pressing **TEST** a second time cancels the test.

**Tracking Point Frequency**

Region	Band	Channel					
		CH1	CH2	CH3	CH4	CH5 to CH8	Last channel
China	FM	87.0	90.1	98.1	106.1	87.0	87.0
	MWa	531	603	999	1404	531	531
	MWb	522	603	999	1404	522	522
	SW1	2.28	2.495	4.0	6.0	2.28	2.28
	SW2	7.1	9.5	15.1	21.45	7.1	7.1
United States 1	FM	87.5	90.1	98.1	106.1	87.5	87.5
	MWa	531	603	999	1404	531	531
	MWb	530	600	1000	1400	530	530
United States 2	FM	87.5	90.1	98.1	106.1	87.5	87.5
	MWa	531	603	999	1404	531	531
	MWb	530	600	1000	1400	530	530

Region	Band	Channel					
		CH1	CH2	CH3	CH4	CH5 to CH8	Last channel
Europe	FM	87.5	90.0	98.0	106.0	87.5	87.5
	MW <sub>a</sub>	531	603	999	1404	531	531
	MW <sub>b</sub>	522	603	999	1404	522	522
	LW	146	164	209	263	146	146
Middle East	FM	87.5	90.0	98.0	106.0	87.5	87.5
	MW <sub>a</sub>	531	603	999	1404	531	531
	MW <sub>b</sub>	522	603	999	1404	522	522
	SW1	2.28	2.495	4.0	6.0	2.28	2.28
	SW2	7.1	9.5	15.1	21.45	7.1	7.1
Common 1	FM	87.5	90.0	98.0	106.0	87.5	87.5
	MW <sub>a</sub>	531	603	999	1404	531	531
	MW <sub>b</sub>	522	603	999	1404	522	522
	SWA	5.95	6.2	9.9	13.8	5.95	5.95
Common 2	FM	87.5	90.0	98.0	106.0	87.5	87.5
	MW <sub>a</sub>	531	603	999	1404	531	531
	MW <sub>b</sub>	522	603	999	1404	522	522
	SWB	3.8	5.00	7.1	11.65	3.8	3.8
Canada, Australia	FM	87.5	90.0	98.0	106.0	87.5	87.5
	MW <sub>a</sub>	531	603	999	1404	531	531
	MW <sub>b</sub>	522	603	999	1404	522	522
World	FM	87.5	90.0	98.0	106.0	87.5	87.5
	MW <sub>a</sub>	531	603	999	1404	531	531
	MW <sub>b</sub>	522	603	999	1404	522	522
	LW	146	164	209	263	146	146
	SWB	3.8	5.00	7.1	11.65	3.8	3.8

### Power-up Status

If momentary switches are connected to the band select inputs, the lower edge of the FM band is selected on power-up. If rocker switches are connected, the band is determined by the input states of BAND1 and BAND0.

On power-up, the MO/ST status is set to mono, the display indicates the tuning frequency, the clock is set to 12:00 and the timer is set to 10:00.

## TIMING DIAGRAMS

### Automatic Up/down Scanning

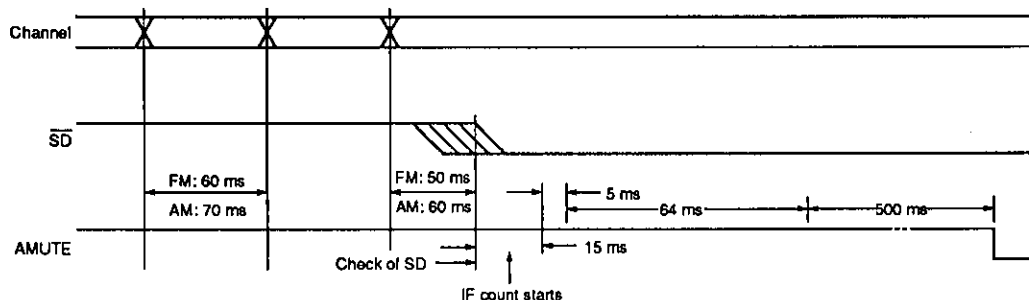


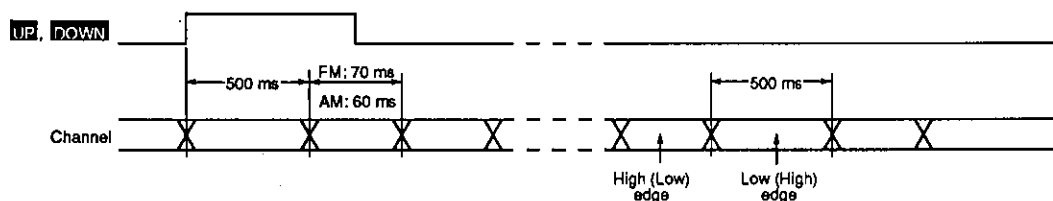
Table 1. IF count tolerance

FM	10.7 MHz $\pm$ 10 kHz
MW	450/468 $\pm$ 3 kHz
SW	450 $\pm$ 1.5 kHz
LW	450/468 $\pm$ 0.6 kHz

#### Notes

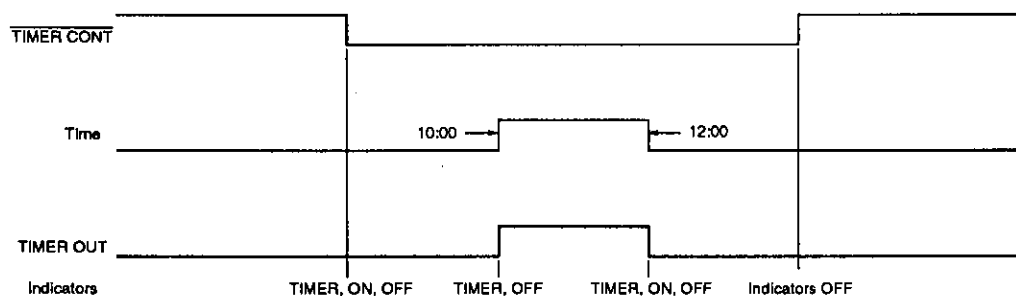
1. When using an IF count,  $\overline{SD}$  is checked twice at 5 ms intervals. If both checks are successful,  $\overline{SD}$  is recognized.
2. When not using an IF count,  $\overline{SD}$  is checked three times at 5 ms intervals. If all three checks are successful,  $\overline{SD}$  is recognized.

### Scanning with **UP** and **DOWN**



## Timer Functions

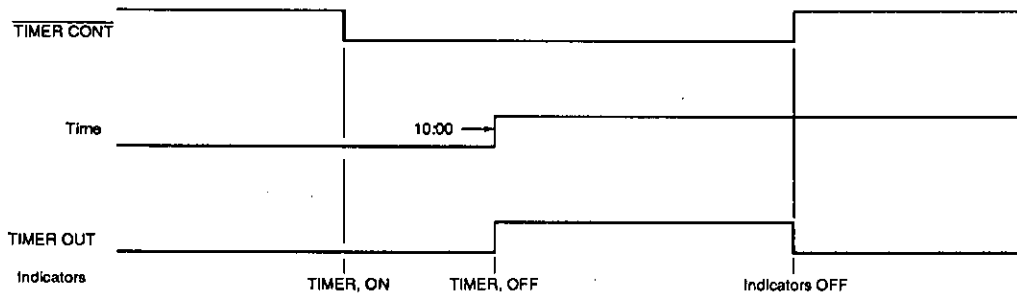
### Timer example 1



#### Notes

1. Timer ON time is 10:00.
2. Timer OFF time is 12:00.

**Timer example 2**

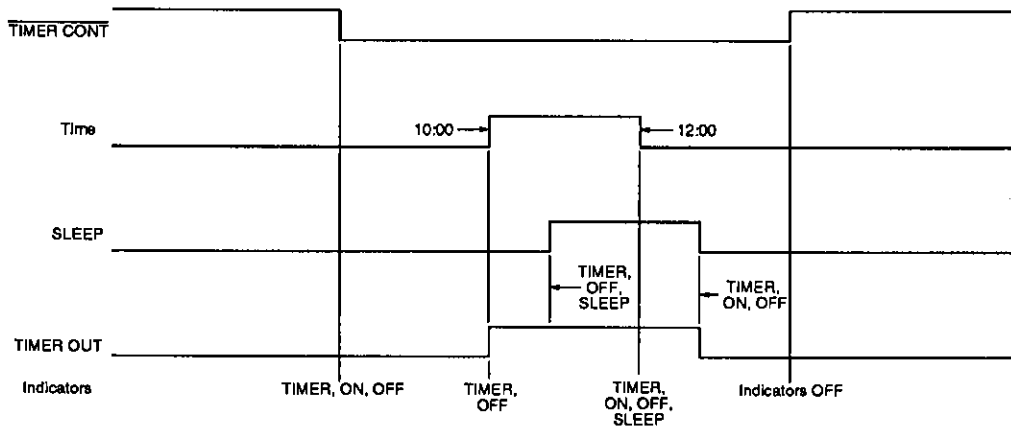
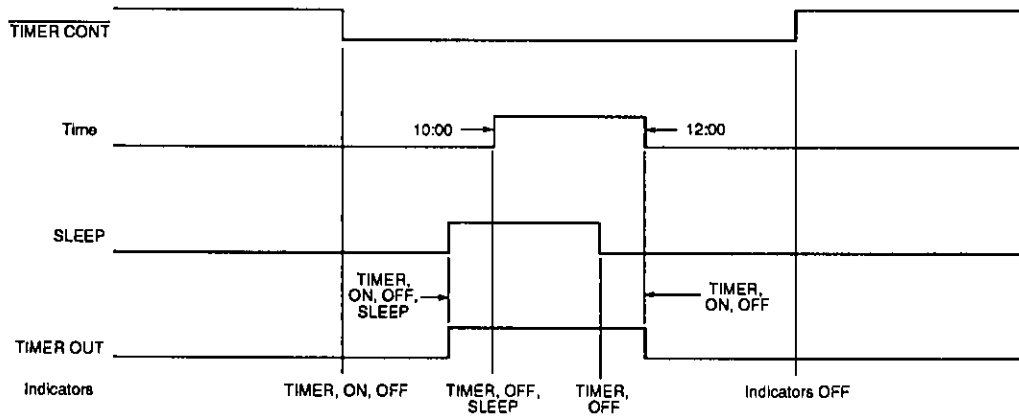


**Note**

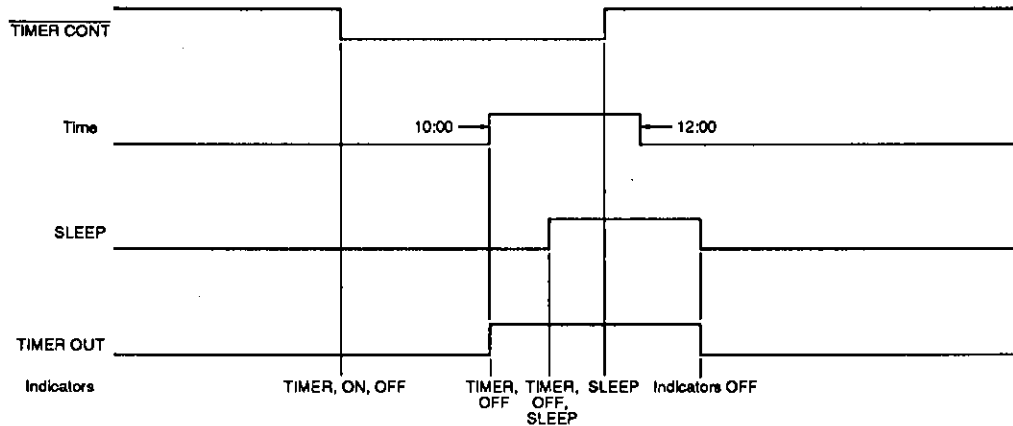
Timer ON and OFF times are both 10:00.

**Simultaneous sleep and timer operation**

In the following figures, the timer ON time is 10:00 and the timer OFF time is 12:00.







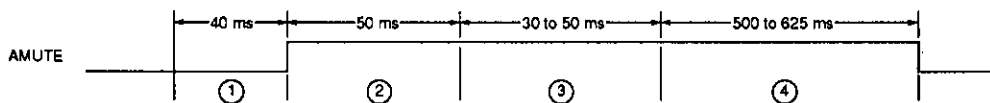
**Audio Mute**

The timing periods shown in the following diagram represent the following times.

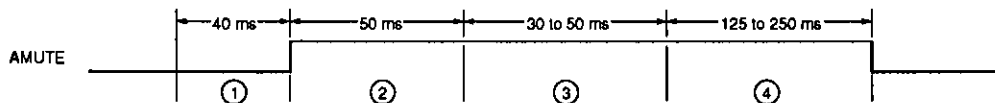
1. Key debounce reject time (40 ms)
2. Audio mute lead time and EDO output delay (50 ms)

3. PLL data and display processing time (30 to 50 ms)
4. Audio mute trailing time

**BAND and CH1 to CH8 Initiated muting**



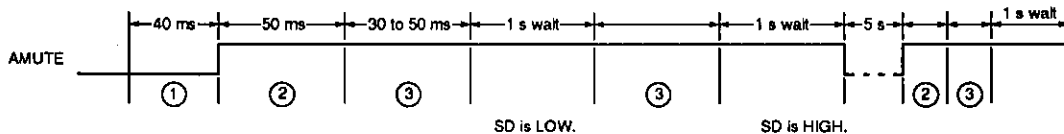
**UP and DOWN Initiated muting**



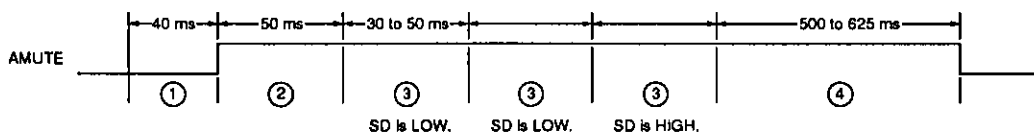
**Note**

If a band edge is encountered during period 4, the length of period 4 changes to 500 to 625 ms.

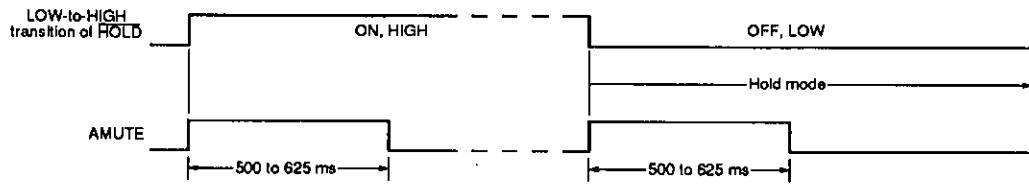
**PS Initiated muting**



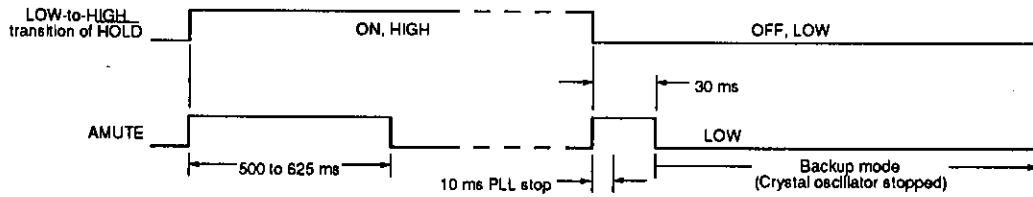
**Auto up/down function Initiated muting**



**Hold Mode**



**Backup Mode**

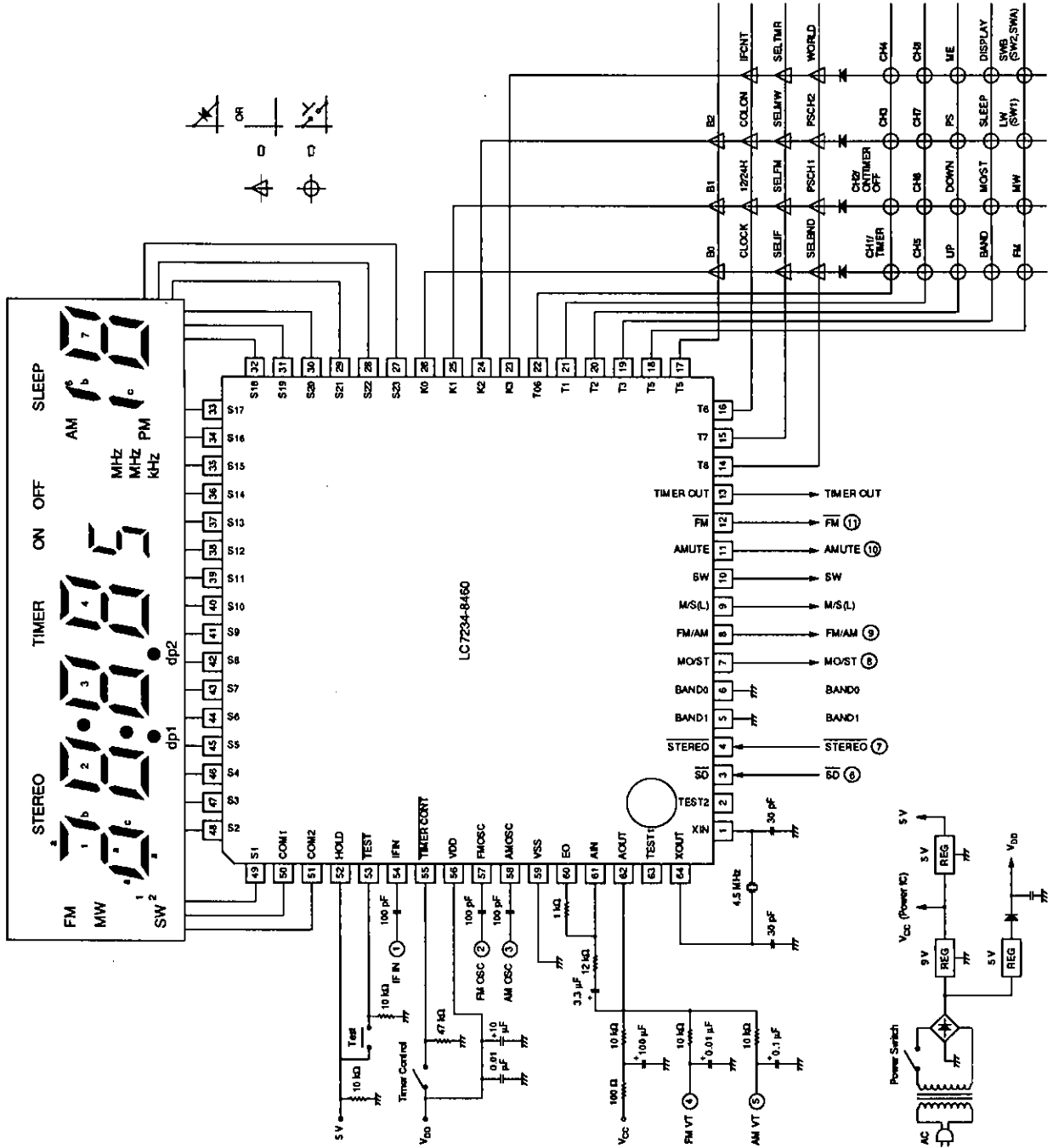


**Note**

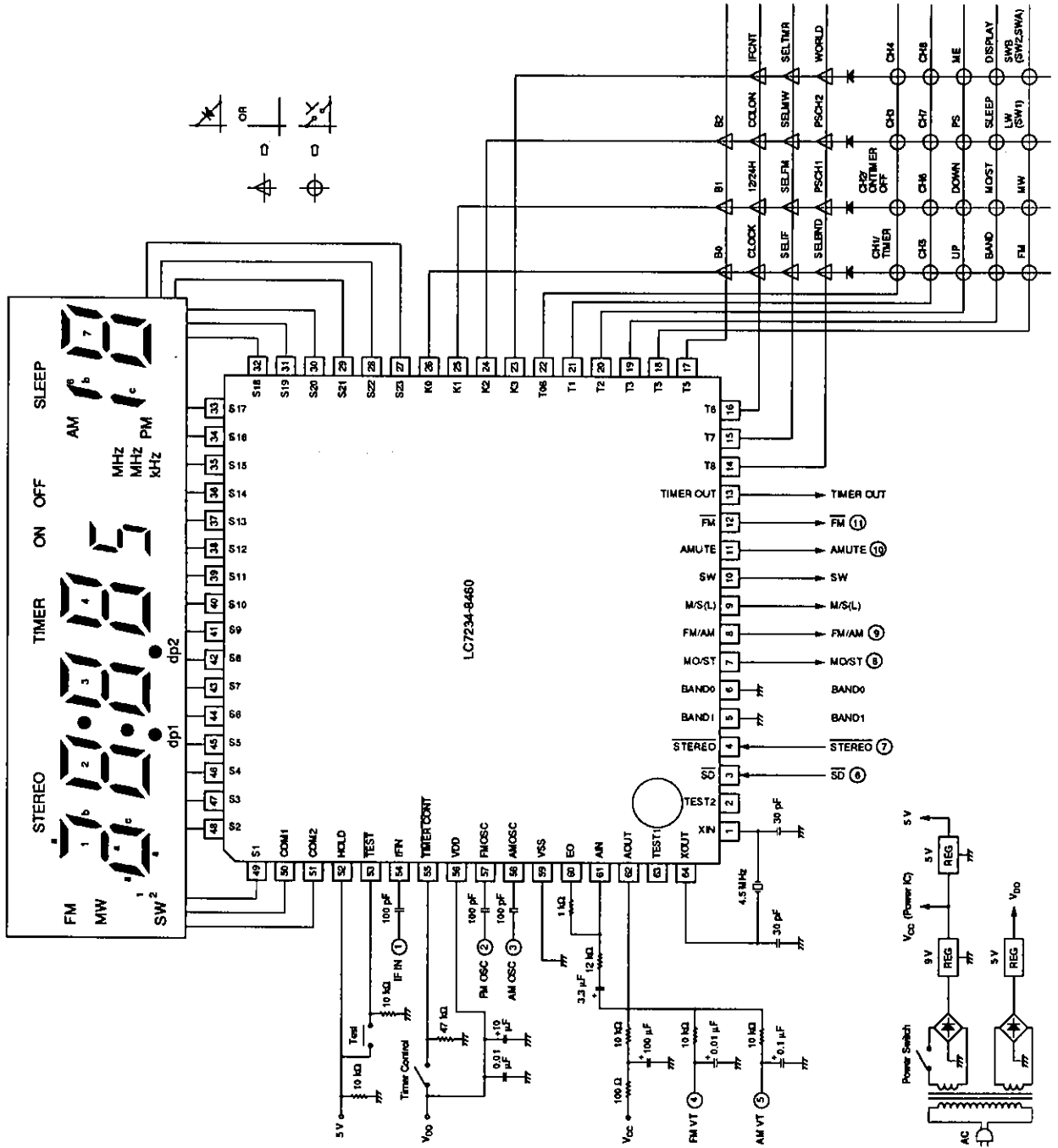
A pull-down resistor should be connected to AMUTE.

# TYPICAL APPLICATIONS

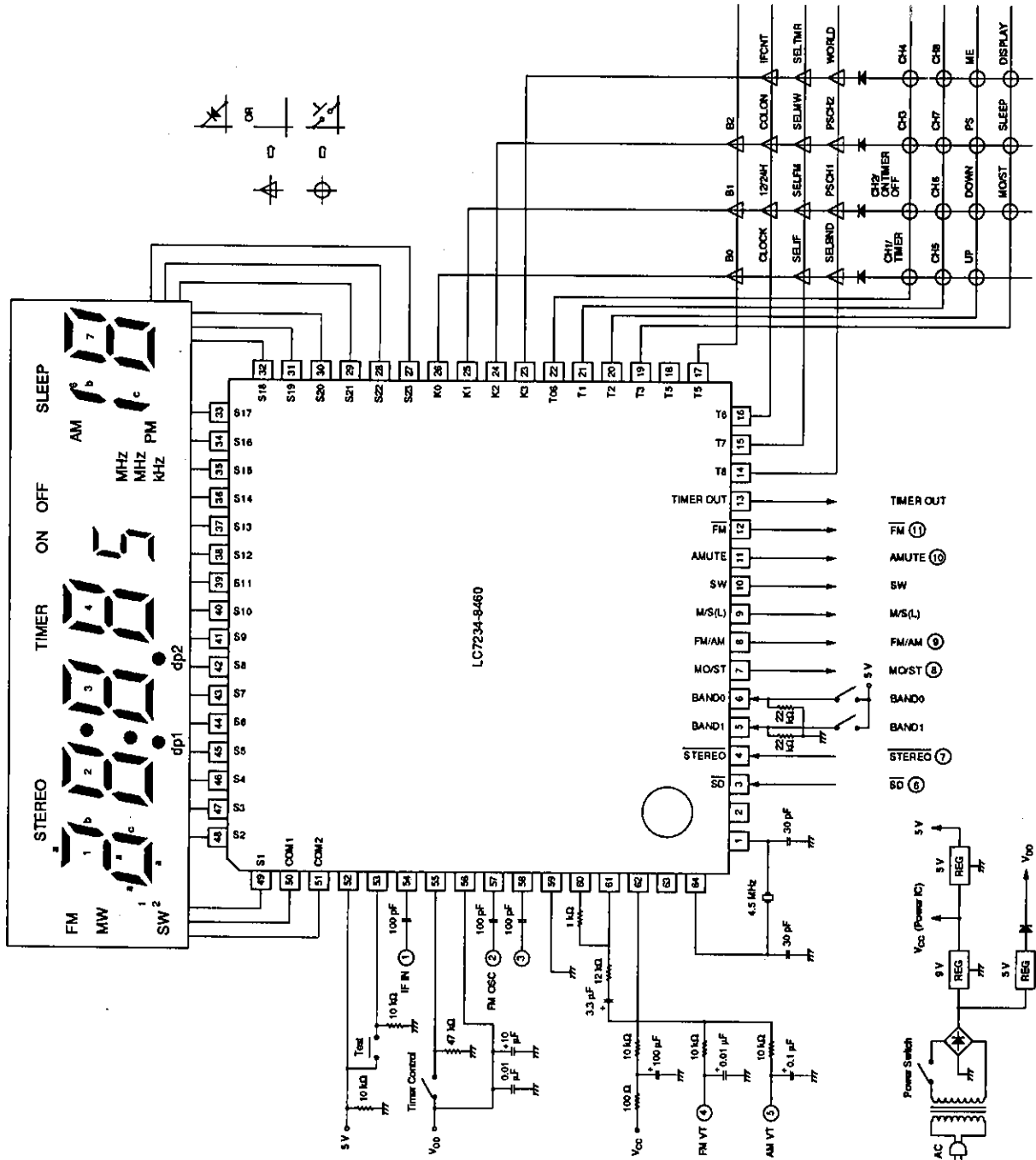
Without Clock (Clock = 0), Momentary Switch Band Select



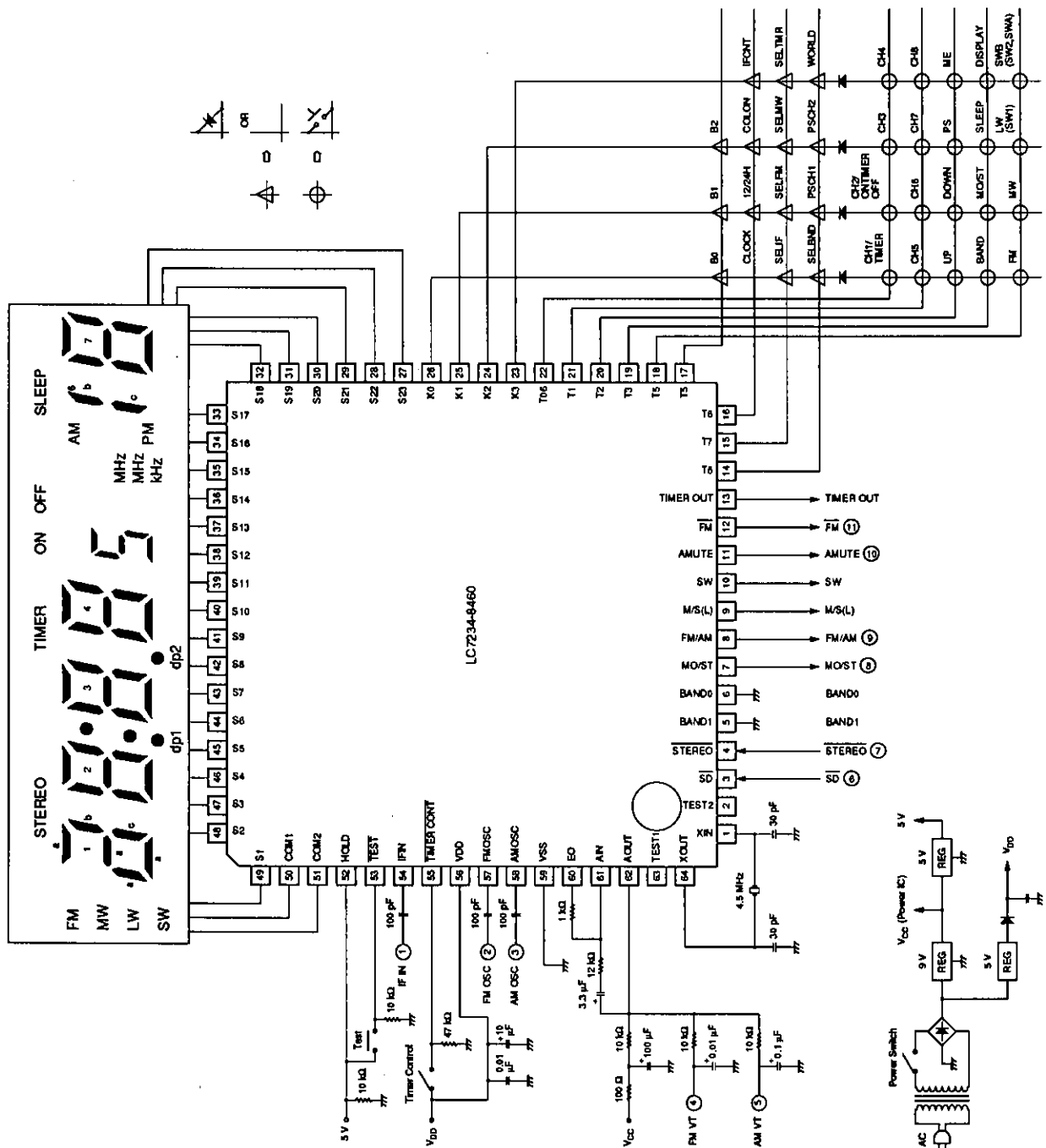
With Clock (Clock = 1), Momentary Switch Band Select



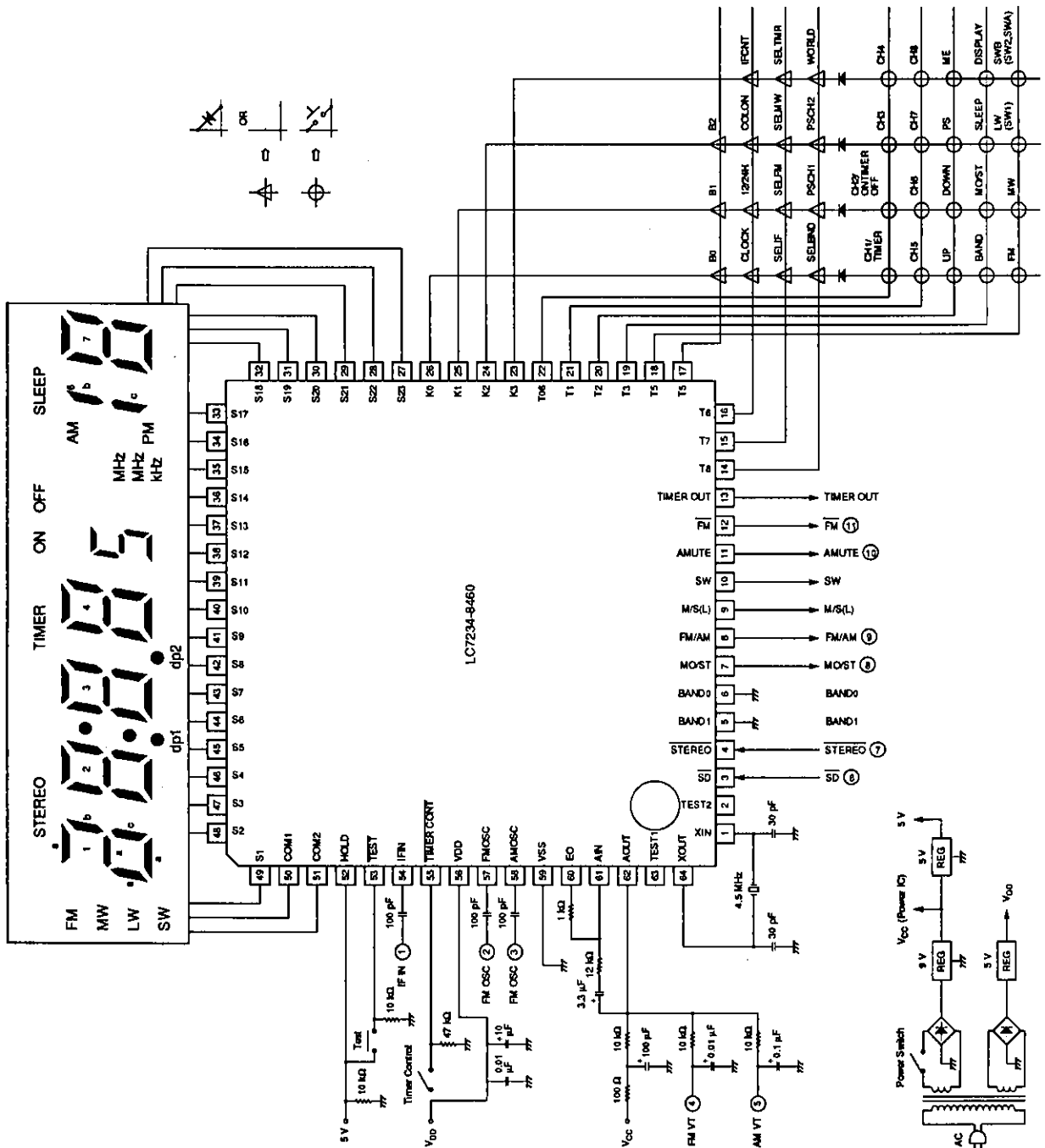
With Clock (Clock = 1), Logic-level Input Band Select



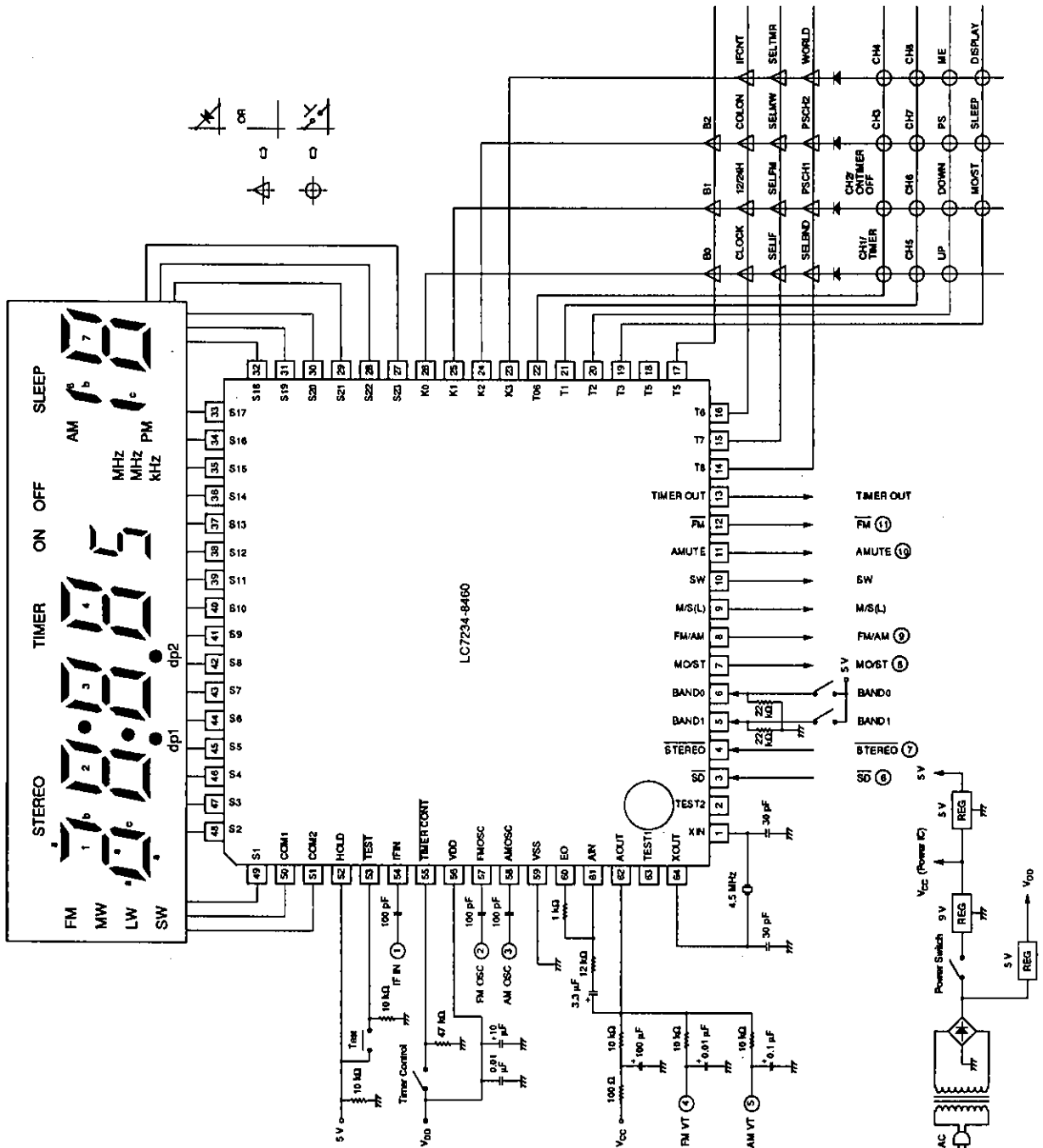
Without Clock (Clock = 0), Momentary Switch Band Select



With Clock (Clock = 1), Momentary Switch Band Select

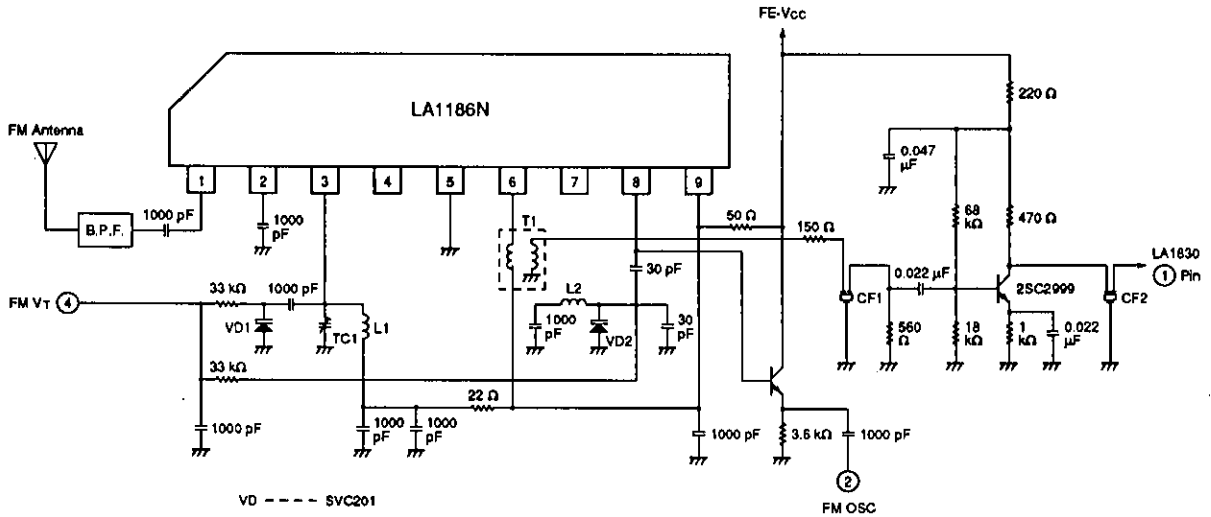


With Clock (Clock = 1), Logic-level Input Band Select





2-band AM/FM Electronic Tuning Radio



- No products described or contained herein are intended for use in surgical implants, life-support systems, aerospace equipment, nuclear power control systems, vehicles, disaster/crime-prevention equipment and the like, the failure of which may directly or indirectly cause injury, death or property loss.
- Anyone purchasing any products described or contained herein for an above-mentioned use shall:
  - ① Accept full responsibility and indemnify and defend SANYO ELECTRIC CO., LTD., its affiliates, subsidiaries and distributors and all their officers and employees, jointly and severally, against any and all claims and litigation and all damages, cost and expenses associated with such use:
  - ② Not impose any responsibility for any fault or negligence which may be cited in any such claim or litigation on SANYO ELECTRIC CO., LTD., its affiliates, subsidiaries and distributors or any of their officers and employees jointly or severally.
- Information (including circuit diagrams and circuit parameters) herein is for example only; it is not guaranteed for volume production. SANYO believes information herein is accurate and reliable, but no guarantees are made or implied regarding its use or any infringements of intellectual property rights or other rights of third parties.

Peripheral Components Interface

