


| | | |
|---|------------|--|
|  | No. ※ 5172 | STK405-110 2ch AF Power Amplifier (Split Power Supply) 70W + 70W min, THD = 10% |
| | | |

Preliminary

Overview

The STK405-110, a member of the STK405-000 series, is a low-cost, 2-channel audio power amplifier hybrid IC that is ideal for a wide range of stereo sets. It has dedicated 6Ω output drive, in contrast with the STK401-000 series which supports 6Ω/3Ω output drive.

Features

- Class B amplifiers
- Output load impedance $R_L = 6\Omega$ support
- EIAJ-output compatible ($f = 1\text{kHz}$, THD = 10%)
- Low supply switching shock noise
- Pin assignment grouped into individual blocks of inputs, outputs and supply lines to minimize the adverse effects of pattern layout on operating characteristics
- External bootstrap circuit not necessary
- Standby operation possible using external circuit
- Voltage gain VG = 26dB for easy gain distribution within the set
- Member of 10W/ch to 80W/ch pin-compatible series

Series Organization

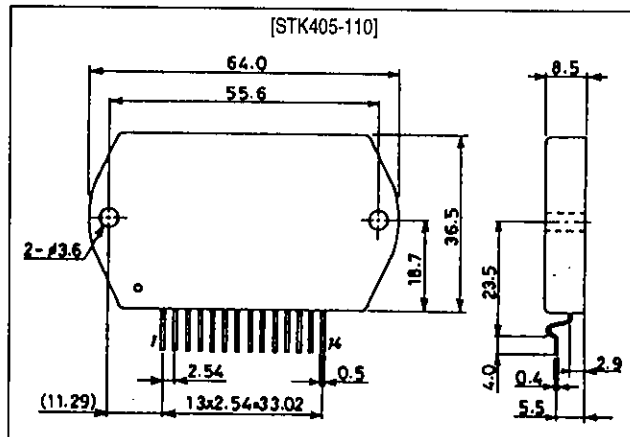
The following devices form a series with differing output capacity. Some of the following devices are under development. Contact your Sanyo sales representative if you require more detailed information.

| Type No. | Output power | Supply voltage [V] | |
|------------|--------------|---------------------|----------|
| | | $V_{CC\text{ max}}$ | V_{CC} |
| STK405-010 | 10W + 10W | ±26.0 | ±14.0 |
| STK405-030 | 20W + 20W | ±30.5 | ±18.5 |
| STK405-050 | 30W + 30W | ±34.5 | ±22.0 |
| STK405-070 | 40W + 40W | ±39.0 | ±25.0 |
| STK405-090 | 50W + 50W | ±42.0 | ±26.5 |
| STK405-100 | 60W + 60W | ±45.0 | ±29.0 |
| STK405-110 | 70W + 70W | ±50.0 | ±31.0 |
| STK405-120 | 80W + 80W | ±52.5 | ±33.0 |

Package Dimensions

unit: mm

4162



Specifications

Maximum Ratings at $T_a = 25^\circ\text{C}$

| Parameter | Symbol | Conditions | Ratings | Unit |
|---------------------------------------|----------------------|--|-------------|--------------------|
| Maximum supply voltage | $V_{CC \text{ max}}$ | | ± 50.0 | V |
| Thermal resistance | θ_{j-c} | Per power transistor | 1.8 | $^\circ\text{C/W}$ |
| Junction temperature | T_j | | 150 | $^\circ\text{C}$ |
| Operating substrate temperature | T_c | | 125 | $^\circ\text{C}$ |
| Storage temperature | T_{stg} | | -30 to +125 | $^\circ\text{C}$ |
| Available time for load short-circuit | t_s | $V_{CC} = \pm 31.0\text{V}$, $R_L = 6\Omega$, $f = 50\text{Hz}$, $P_O = 70\text{W}$ | 1 | s |

Operating Characteristics at $T_a = 25^\circ\text{C}$, $R_L = 6\Omega$ (noninductive load), $R_g = 600\Omega$, $V_G = 26\text{dB}$

| Parameter | Symbol | Conditions | min | typ | max | Unit |
|---------------------------|------------|---|------|-----------|------|-----------|
| Quiescent current | I_{CCO} | $V_{CC} = \pm 39.5\text{V}$, no load | - | 13 | 20 | mA |
| Output power | P_O | $V_{CC} = \pm 31.0\text{V}$, $f = 1\text{kHz}$, $\text{THD} = 10.0\%$ | 70 | - | - | W |
| Total harmonic distortion | THD | $V_{CC} = \pm 31.0\text{V}$, $f = 1\text{kHz}$, $P_O = 5.0\text{W}$ | - | 0.04 | 0.1 | % |
| Frequency response | f_L, f_H | $V_{CC} = \pm 31.0\text{V}$, $P_O = 1.0\text{W}$, $+3_{-3}\text{dB}$ | - | 20 to 50k | - | Hz |
| Input impedance | r_i | $V_{CC} = \pm 31.0\text{V}$, $f = 1\text{kHz}$, $P_O = 1.0\text{W}$ | - | 55 | - | $k\Omega$ |
| Output noise voltage | V_{NO} | $V_{CC} = \pm 39.5\text{V}$, $R_g = 10k\Omega$ | - | - | 1.2 | mVrms |
| Neutral voltage | V_N | $V_{CC} = \pm 39.5\text{V}$ | -100 | 0 | +100 | mV |

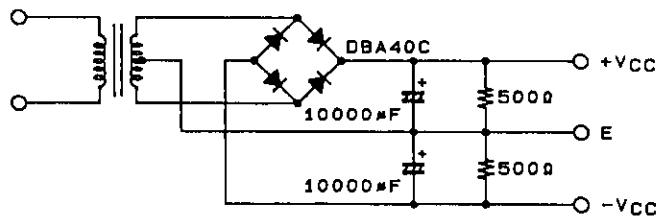
Notes.

All tests are measured using a regulated voltage supply unless otherwise specified.

Available time for load short-circuit and output noise voltage are measured using the transformer supply specified below.

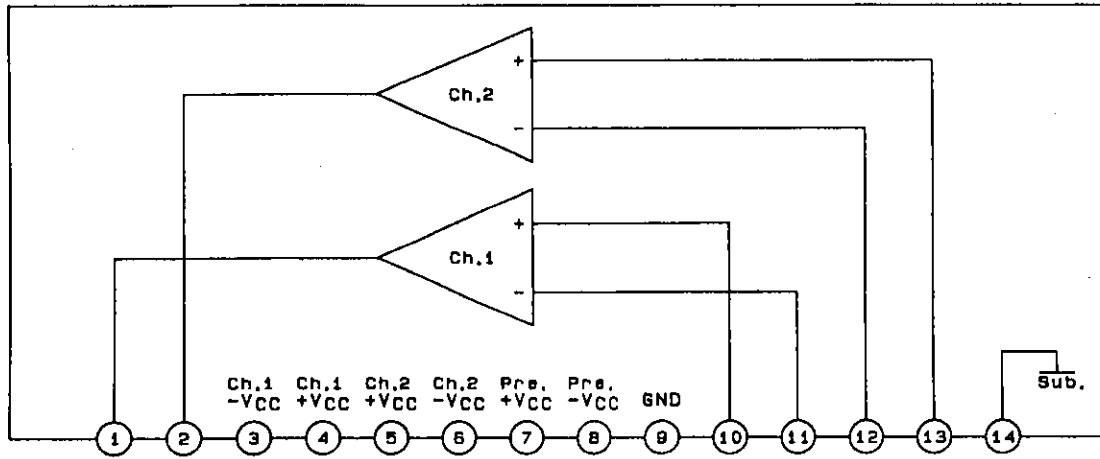
The output noise voltage is the peak value of an average-reading meter with an rms value scale (VTVM). A regulated AC supply (50Hz) should be used to eliminate the effects of AC primary line flicker noise.

Specified Transformer Supply (MG-200 or Equivalent)



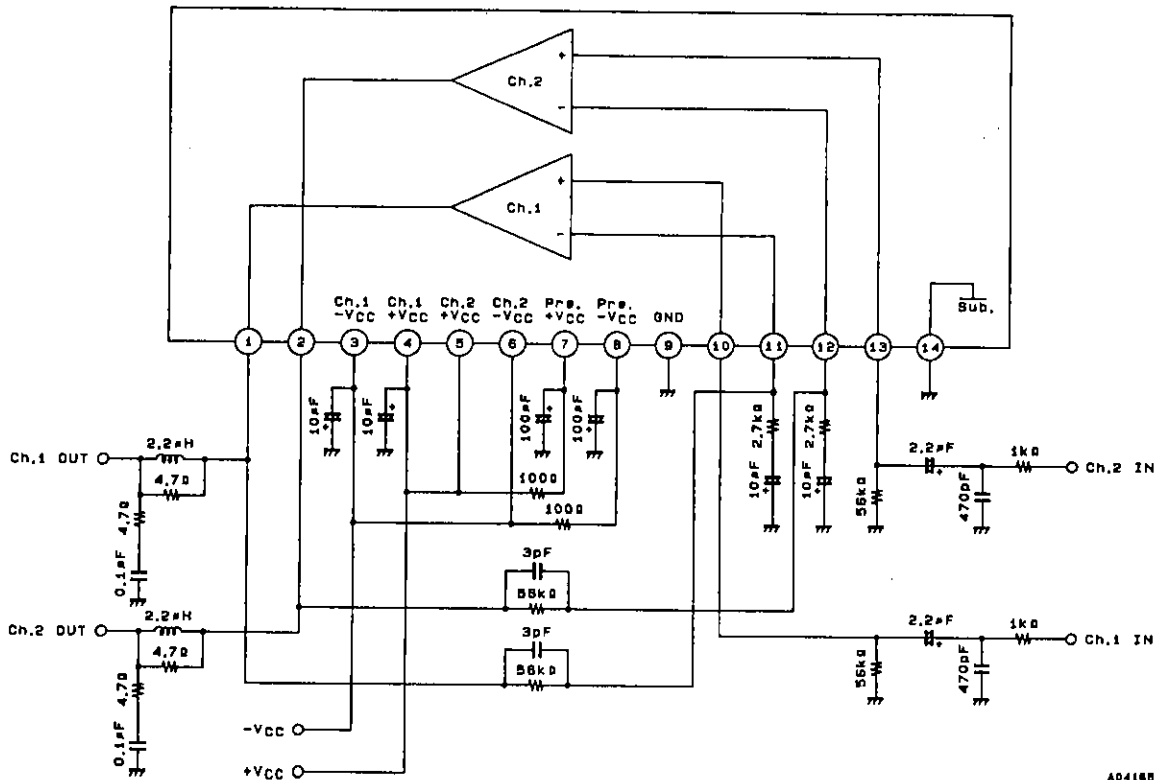
A04157

Block Diagram



A04184

Test Circuit



A04185

