



LC75395E

Single-Chip Electronic Volume Control System



Overview

The LC75395E is an electronic volume control that provides volume, balance, five-band equalization and input switching functions. These functions are controlled from serial input data.

Functions

- **Volume control:** The volume control provides 25 attenuation positions: from 0 dB to -17.5 dB in 1.25 dB steps, from -17.5 dB to -25 dB in 2.5 dB steps, from -25 dB to -36.25 dB in 3.75 dB steps and with settings for -41.25 dB, -50 dB, -60 dB and $-\infty$.
A balance function can be implemented by controlling the left and right channels independently.
- **Equalizer:** The equalizer function supports ± 10 dB control in 2 dB steps in each of the five bands. Of the five bands, four provide peaking characteristics, and one provides shelving characteristics.
- **Selector:** The selector function selects one of four inputs for each of the left and right channels. An arbitrary amplification level can be set for each input signal using external components.
- **Serial data input:** All controls can be set from serial input data (CCB format)

Features

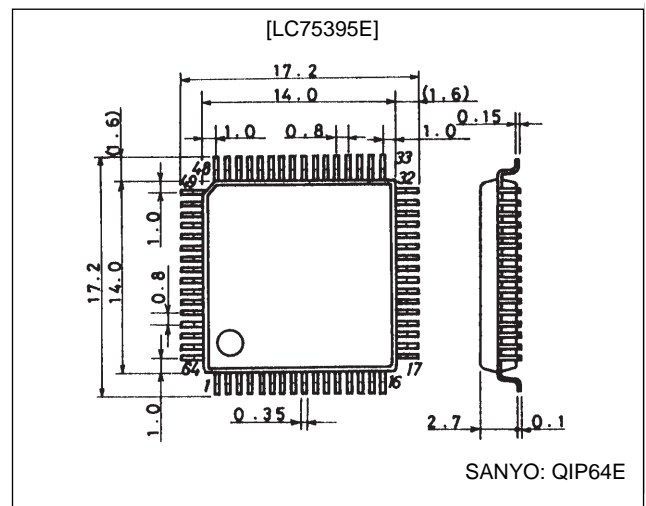
- On-chip buffer amplifiers to minimize the number of external components
- Silicon-gate CMOS process for minimal switching noise
- On-chip circuit to generate the $V_{DD}/2$ reference voltage

- CCB is a trademark of SANYO ELECTRIC CO., LTD.
- CCB is SANYO's original bus format and all the bus addresses are controlled by SANYO.

Package Dimensions

unit: mm

3159-QFP64E



Specifications

Absolute Maximum Ratings at $T_a = 25^\circ\text{C}$, $V_{SS} = 0\text{ V}$

Parameter	Symbol	Conditions	Ratings	Unit
Maximum supply voltage	$V_{DD\text{ max}}$	V_{DD}	12	V
Maximum input voltage	$V_{IN\text{ max}}$	CL, DI, CE, L1 to L4, R1 to R4, LTIN, RTIN, LVRIN, RVRIN	$V_{SS} - 0.3$ to $V_{DD} + 0.3$	V
Allowable power dissipation	$P_d\text{ max}$	$T_a \leq 85^\circ\text{C}$	310	mW
Operating temperature	T_{opr}		-30 to +85	$^\circ\text{C}$
Storage temperature	T_{stg}		-40 to +125	$^\circ\text{C}$

SANYO Electric Co., Ltd. Semiconductor Business Headquarters

TOKYO OFFICE Tokyo Bldg., 1-10, 1 Chome, Ueno, Taito-ku, TOKYO, 110 JAPAN

LC75395E

Allowable Operating Ranges at $T_a = 25^\circ\text{C}$, $V_{SS} = 0\text{ V}$

Parameter	Symbol	Conditions	min	typ	max	Unit
Supply voltage	V_{DD}	V_{DD}	6.0		11.0	V
Input high level voltage	V_{IH}	CL, DI, CE	4.0		V_{DD}	V
Input low level voltage	V_{IL}	CL, DI, CE	V_{SS}		1.0	V
Input voltage amplitude	V_{IN}	CL, DI, CE, L1 to L4, R1 to R4, LTIN, RTIN, LVRIN, RVRIN	V_{SS}		V_{DD}	Vp-p
Input pulse width	$t_{\phi W}$	CL	1.0			μs
Setup time	t_{SETUP}	CL, DI, CE	1.0			μs
Hold time	t_{HOLD}	CL, DI, CE	1.0			μs
Operating frequency	fopg	CL			500	kHz

Electrical Characteristics at $T_a = 25^\circ\text{C}$, $V_{DD} = 10\text{ V}$, $V_{SS} = 0\text{ V}$

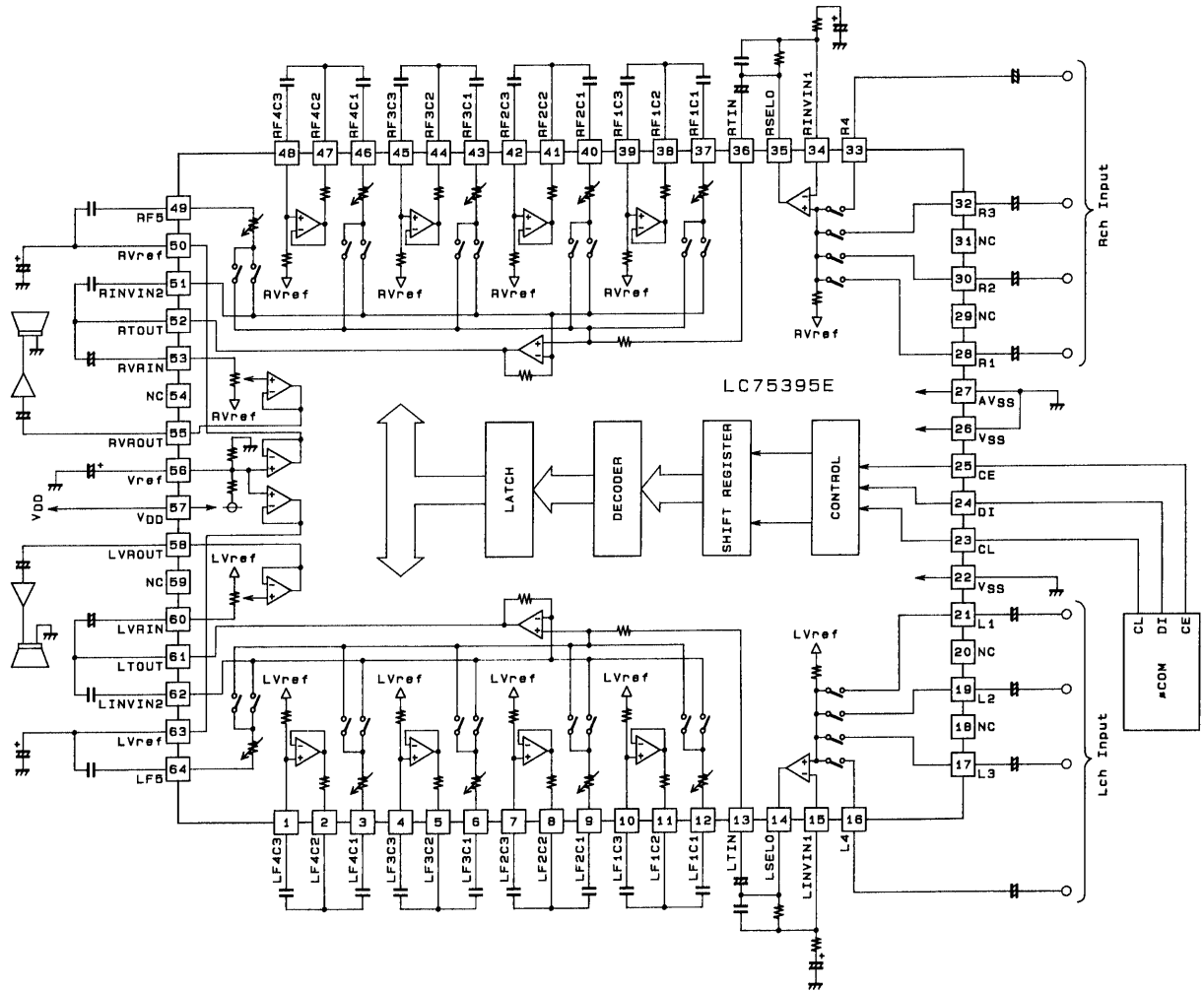
Parameter	Symbol	Conditions	min	typ	max	Unit
[Input Block]						
Input resistance	R_{in}	L1 to L4, R1 to R4		1		$M\Omega$
Clipping level	V_{cl}	LSELO, RSELO: THD = 1.0%		2.65		Vrms
Output load resistance	R_L	LSELO, RSELO	3			$k\Omega$
[Volume Control Block]						
Input resistance	R_{in}	LVRIN, RVRIN	21	35	49	$k\Omega$
[Equalizer Control Block]						
Control range	G_{eq}	Max, boost/cut	± 8	± 10	± 12	dB
Step resolution	E_{step}		1	2	3	dB
Internal feedback resistance	R_{feed}		17	28	39	$k\Omega$
[Overall Characteristics]						
Total harmonic distortion	THD (1)	$V_{IN} = 1\text{ Vrms}$, $f = 1\text{ kHz}$, with all controls flat overall		0.0033		%
	THD (2)	$V_{IN} = 1\text{ Vrms}$, $f = 20\text{ kHz}$, with all controls flat overall		0.012		%
Crosstalk	CT	$V_{IN} = 1\text{ Vrms}$, $f = 1\text{ kHz}$, with all controls flat overall $R_g = 1\text{ k}\Omega$		86		dB
Output at maximum attenuation	$V_{O\ min}$	$V_{IN} = 1\text{ Vrms}$, $f = 1\text{ kHz}$, with the main volume control at $-\infty$		-84		dB
Output noise voltage	V_N (1)	With all controls flat overall (IHF-A), $R_g = 1\text{ k}\Omega$		3.9		μV
	V_N (2)	With all controls flat overall (DIN-AUDIO), $R_g = 1\text{ k}\Omega$		5.4		μV
Current drain	I_{DD}	$V_{DD} - V_{SS} = 11\text{ V}$		25	33	mA
Input high level current	I_{IH}	CL, DI, CE: $V_{IN} = 11\text{ V}$			10	μA
Input low level current	I_{IL}	CL, DI, CE: $V_{IN} = 0\text{ V}$	-10			μA

Input Amplifier Characteristics at $T_a = 25^\circ\text{C}$, $V_{DD} - V_{SS} = 10\text{ V}$

Parameter	Symbol	Conditions	min	typ	max	Unit
Input offset voltage	V_{IO}		-10		+10	mV
Input offset current	I_{IO}	$V_{SS} \leq V_{IN} \leq V_{DD}$		± 10		nA
Open-loop voltage gain	A_O			80		dB
0 dB bandwidth	f_T			2.5		MHz
Allowable load resistance	R_L		3			$k\Omega$

LC75395E

Equivalent Circuit Block Diagram and Sample Application Circuit



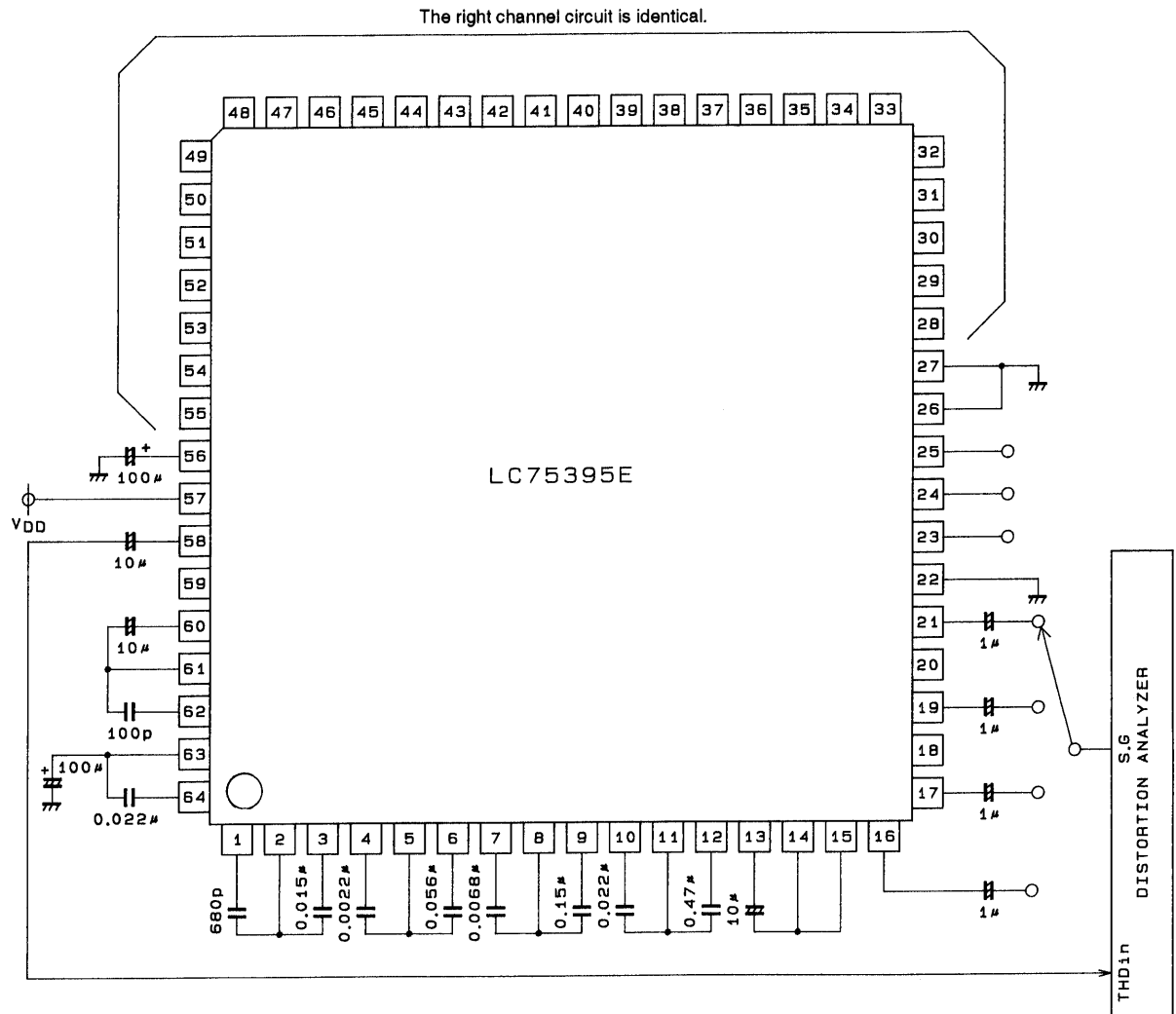
A03544

Note: If at all possible, use bipolar capacitors for all capacitors that do not have a polarity specified.

LC75395E

Test Circuits

1. Total Harmonic Distortion



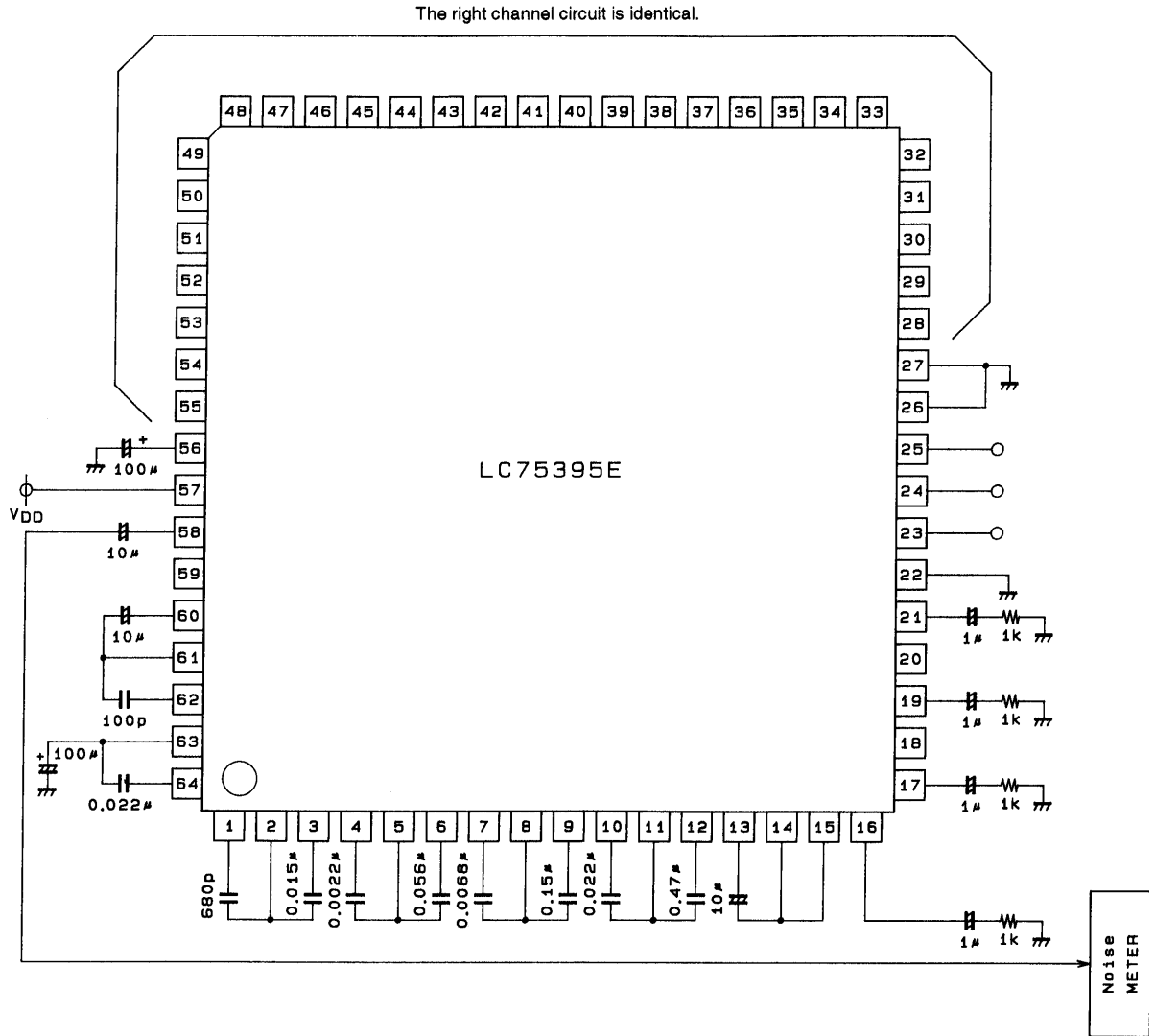
A03545

Unit (capacitance: F)

LC75395E

Test Circuits

2. Output Noise Voltage



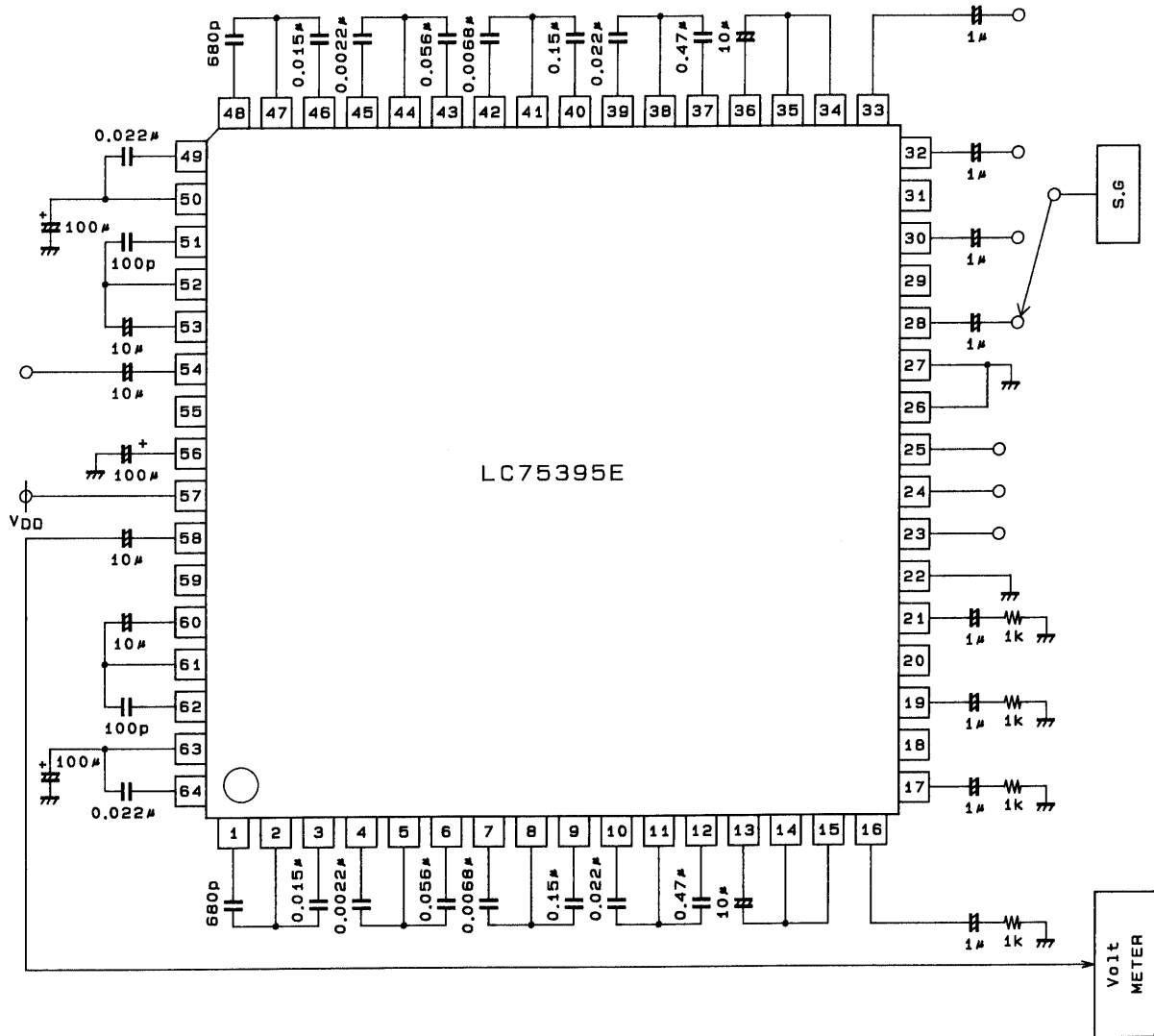
A03546

Unit (resistance: Ω , capacitance: F)

LC75395E

Test Circuits

3. Crosstalk

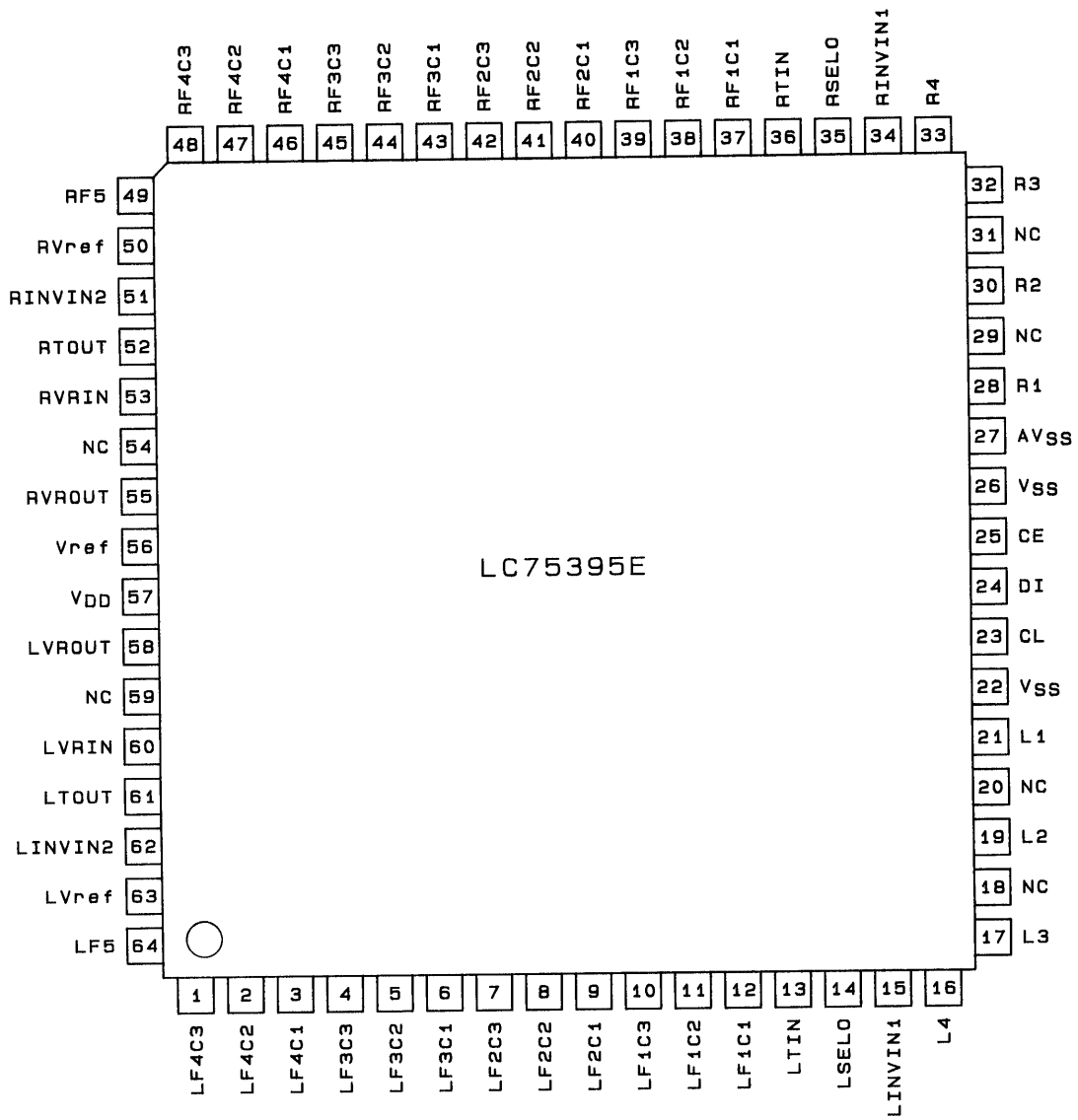


A03547

Unit (resistance: Ω , capacitance: F)

LC75395E

Pin Assignment

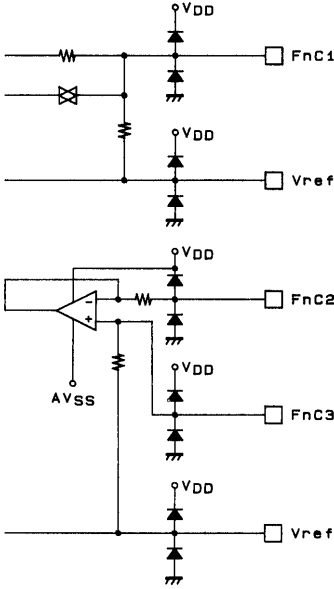
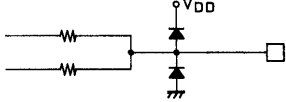
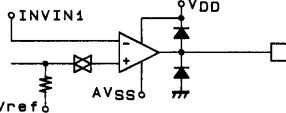
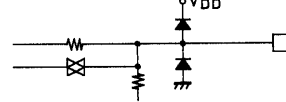
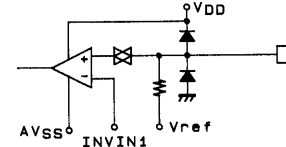


A03548

Top view

LC75395E

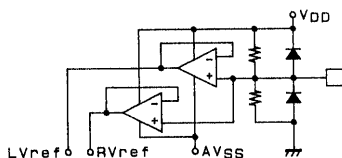
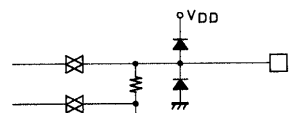
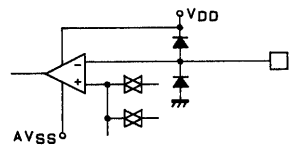
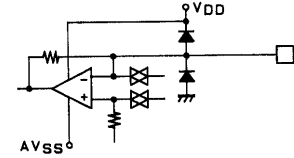
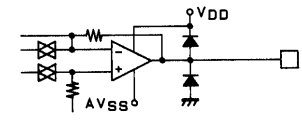
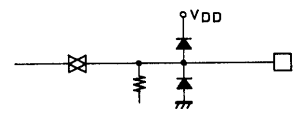
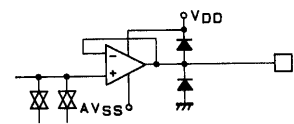
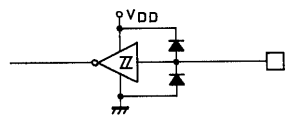
Pin Functions

Pin No.	Symbol	Function	Note	
12 11 10	LF1C1 LF1C2 LF1C3	The left channel F1 band control block. These are external capacitor connections.	 <p style="text-align: right;">A03549</p>	
37 38 39	RF1C1 RF1C2 RF1C3	The right channel F1 band control block. These are external capacitor connections.		
9 8 7	LF2C1 LF2C2 LF2C3	The left channel F2 band control block. These are external capacitor connections.		
40 41 42	RF2C1 RF2C2 RF2C3	The right channel F2 band control block. These are external capacitor connections.		
6 5 4	LF3C1 LF3C2 LF3C3	The left channel F3 band control block. These are external capacitor connections.		
43 44 45	RF3C1 RF3C2 RF3C3	The right channel F3 band control block. These are external capacitor connections.		
3 2 1	LF4C1 LF4C2 LF4C3	The left channel F4 band control block. These are external capacitor connections.		
46 47 48	RF4C1 RF4C2 RF4C3	The right channel F4 band control block. These are external capacitor connections.		
13 36	LTIN RTIN	Tone control inputs These must be driven by low-impedance circuits.		 <p style="text-align: right;">A03550</p>
14 35	LSELO RSELO	Input selector outputs		 <p style="text-align: right;">A03551</p>
64 49	LF5 RF5	F5 band control block. These are external capacitor connections.	 <p style="text-align: right;">A03552</p>	
21 19 17 16 28 30 32 33	L1 L2 L3 L4 R1 R2 R3 R4	Signal inputs	 <p style="text-align: right;">A03553</p>	
57	V _{DD}	Power supply		
22, 26	V _{SS}	Internal logic system ground		
27	AV _{SS}	Internal operational amplifier ground		

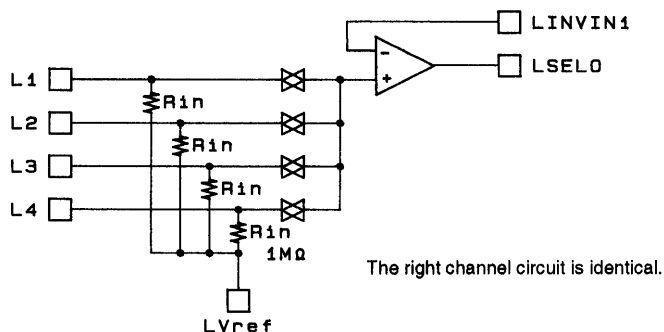
Continued on next page.

LC75395E

Continued from preceding page.

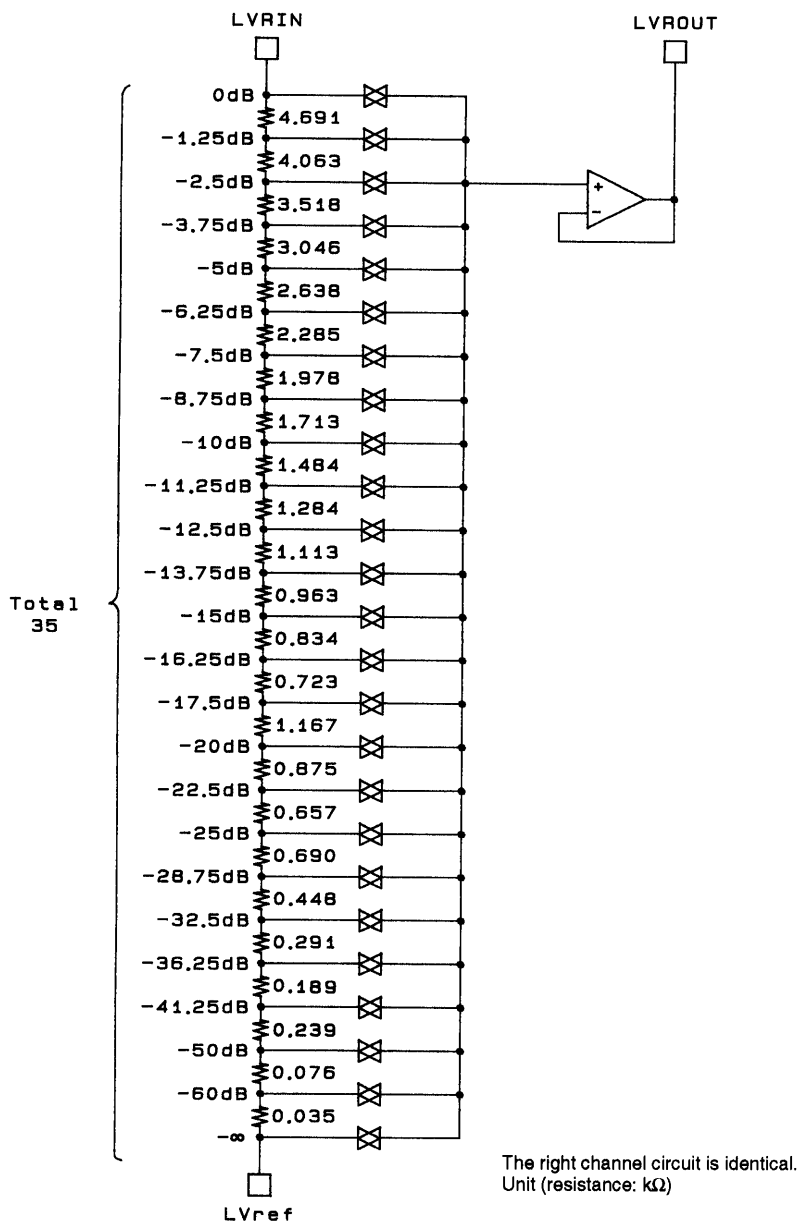
Pin No.	Symbol	Function	Note
56	Vref	$V_{DD}/2$ voltage generation block. A capacitor must be inserted between Vref and V_{SS} to suppress power supply ripple.	 <p style="text-align: right;">A04449</p>
63 50	LVref RVref	Common pins for the volume control, tone control and input switching blocks. Since capacitors inserted between LVref (or RVref) and V_{SS} become the residual resistance when the volume control is set at maximum attenuation, the values of these capacitors must be chosen carefully. A voltage higher than V_{DD} must never be applied.	 <p style="text-align: right;">A03555</p>
15 34	LINVIN1 RINVIN1	Inverting inputs for the operational amplifiers that set the input gain.	 <p style="text-align: right;">A03556</p>
62 51	LINVIN2 RINVIN2	Inverting inputs for the graphic equalizer operational amplifiers. Unnecessary frequency bands can be excluded and oscillation prevented by inserting arbitrary capacitors between the INVIN2 and TOUT pins.	 <p style="text-align: right;">A03557</p>
61 52	LTOUT RTOUT	Tone control outputs	 <p style="text-align: right;">A03558</p>
60 53	LVRIN RVRIN	Volume control inputs These must be driven by low-impedance circuits.	 <p style="text-align: right;">A03559</p>
58 55	LVROUT RVROUT	Volume control outputs	 <p style="text-align: right;">A03560</p>
25	CE	Chip enable Data is read into the internal latches and the analog switches operate when this pin goes from high to low. Data transfer is enabled when this pin is high.	 <p style="text-align: right;">A03561</p>
24 23	DI CL	Serial data and clock connections for chip control	
18 20 29 31 54 59	NC NC NC NC NC NC	Unused pins	

Input Block Internal Equivalent Circuit Diagram



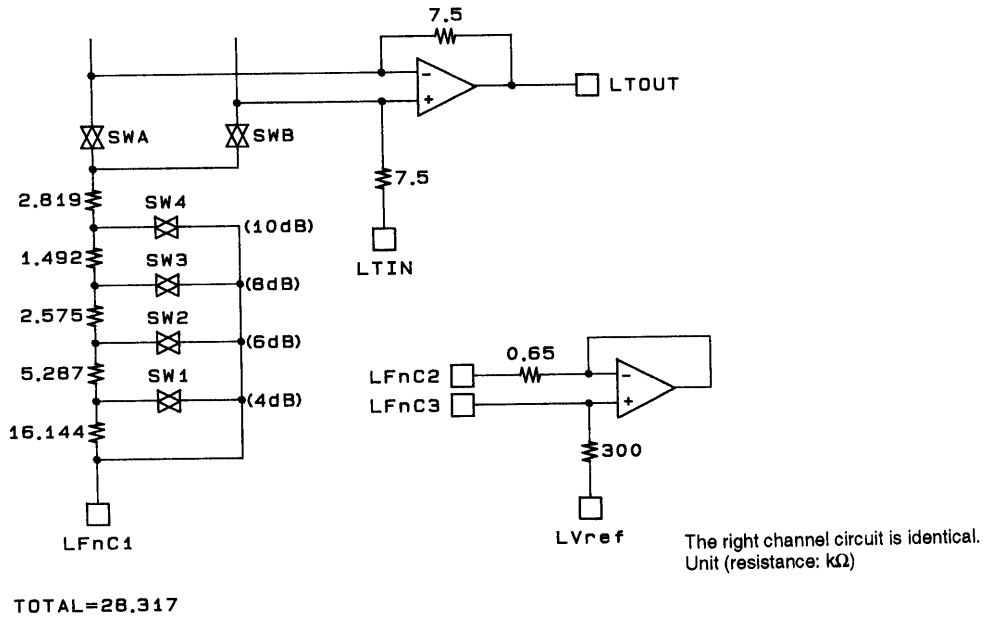
A03562

Volume Control Block Internal Equivalent Circuit Diagram



A03563

Equalizer Control Block Internal Equivalent Circuit (bands F1 to F4)



A03564

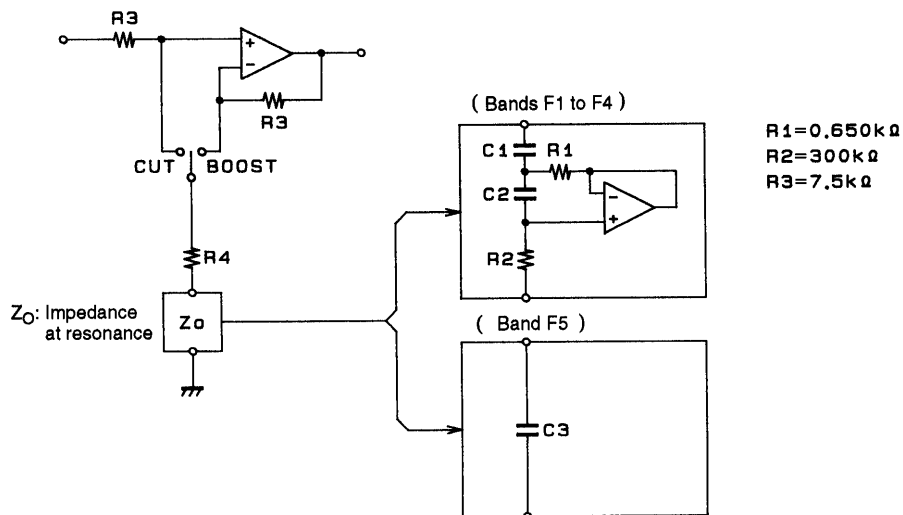
External Capacitor Calculations

The LC75395E supports four bands with peaking characteristics and one band with shelving characteristics.

1. Peaking Characteristics (bands F1 to F4)

The external capacitor functions as the structural element of a simulated inductor. The equivalent circuit and the calculations required to achieve the desired center frequency are shown below.

- Equivalent circuit for the simulated inductor



A03565

• Sample Calculation

Specifications 1) Center frequency $F_O = 107$ Hz

2) Q at maximum boost: $Q_{+10\text{ dB}} = 0.8$

① Derive the sharpness (Q_O) of the simulated inductor itself.

$$Q_O = (R1 + R4)/R1 \times Q_{+10\text{ dB}} \\ \approx 4.270$$

② Derive C1.

$$C1 = 1/2\pi F_O R1 Q_O \approx 0.536 \text{ (}\mu\text{F)}$$

③ Derive C2.

$$C2 = Q_O/2\pi F_O R2 \approx 0.021 \text{ (}\mu\text{F)}$$

• Sample values for C1 and C2

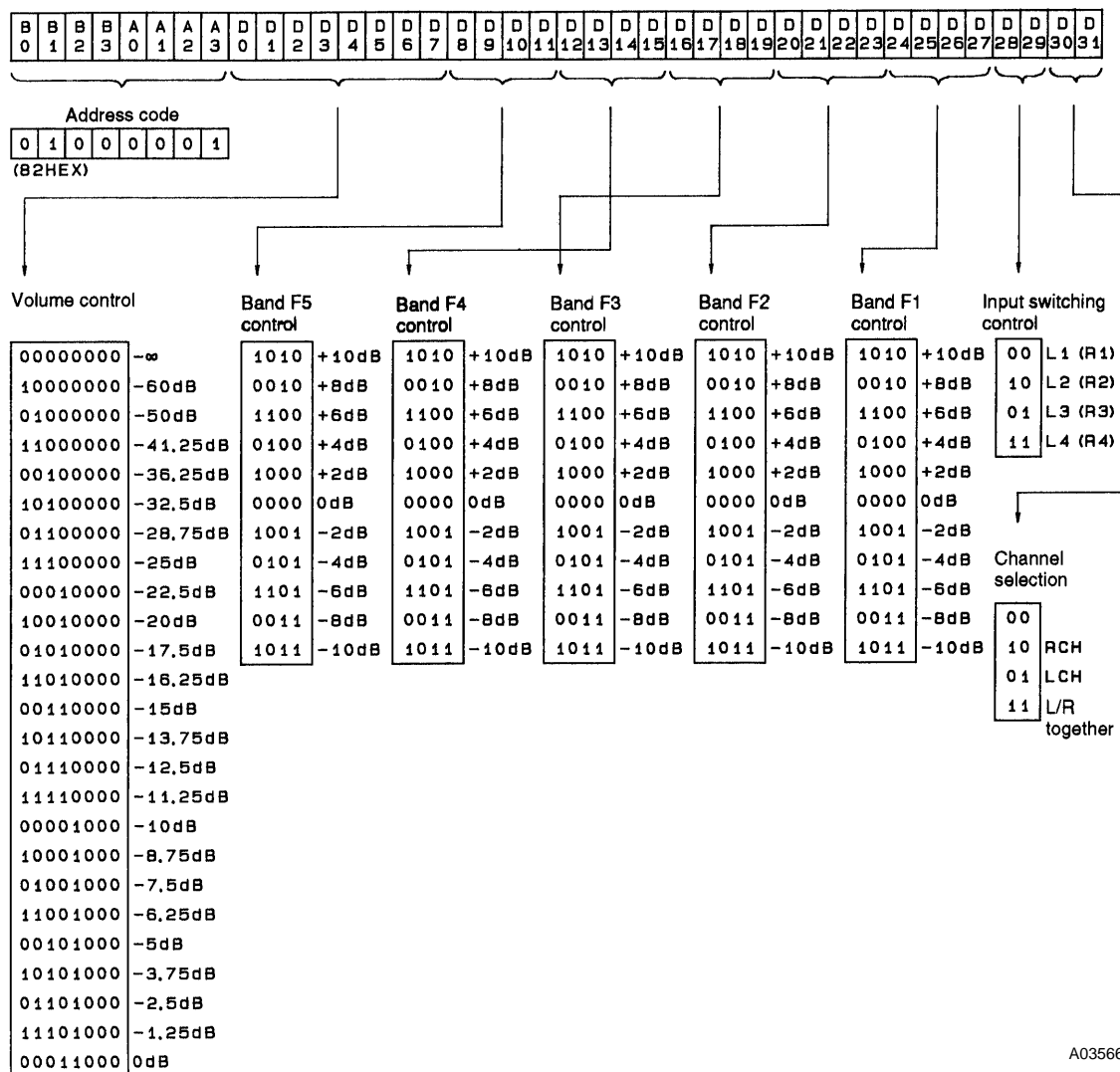
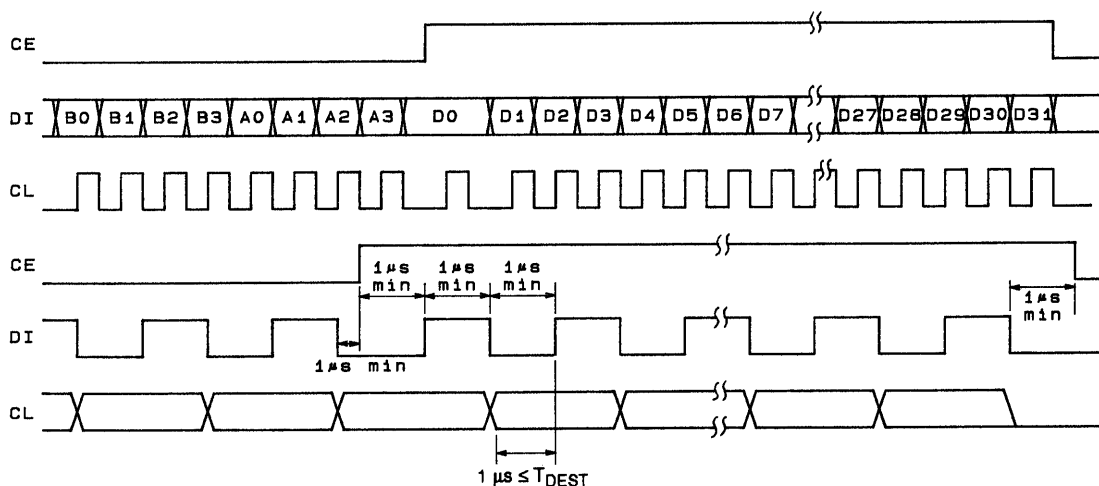
Center frequency F_O (Hz)	C1 (F)	C2 (F)
107	0.536 μ	0.021 μ
340	0.169 μ	6663 p
1070	0.054 μ	2117 p
3400	0.017 μ	666 p

2. Shelving Characteristics (band F5)

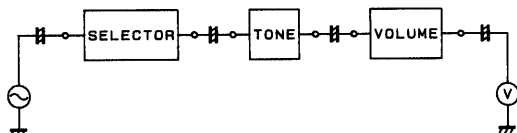
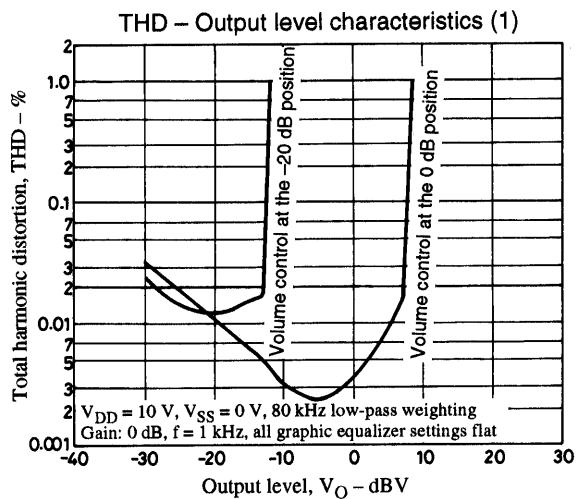
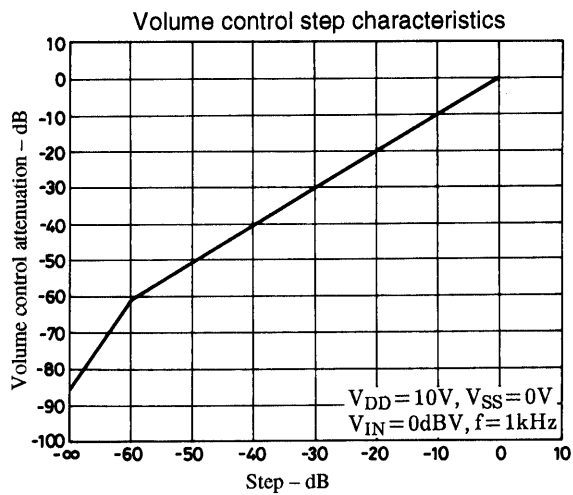
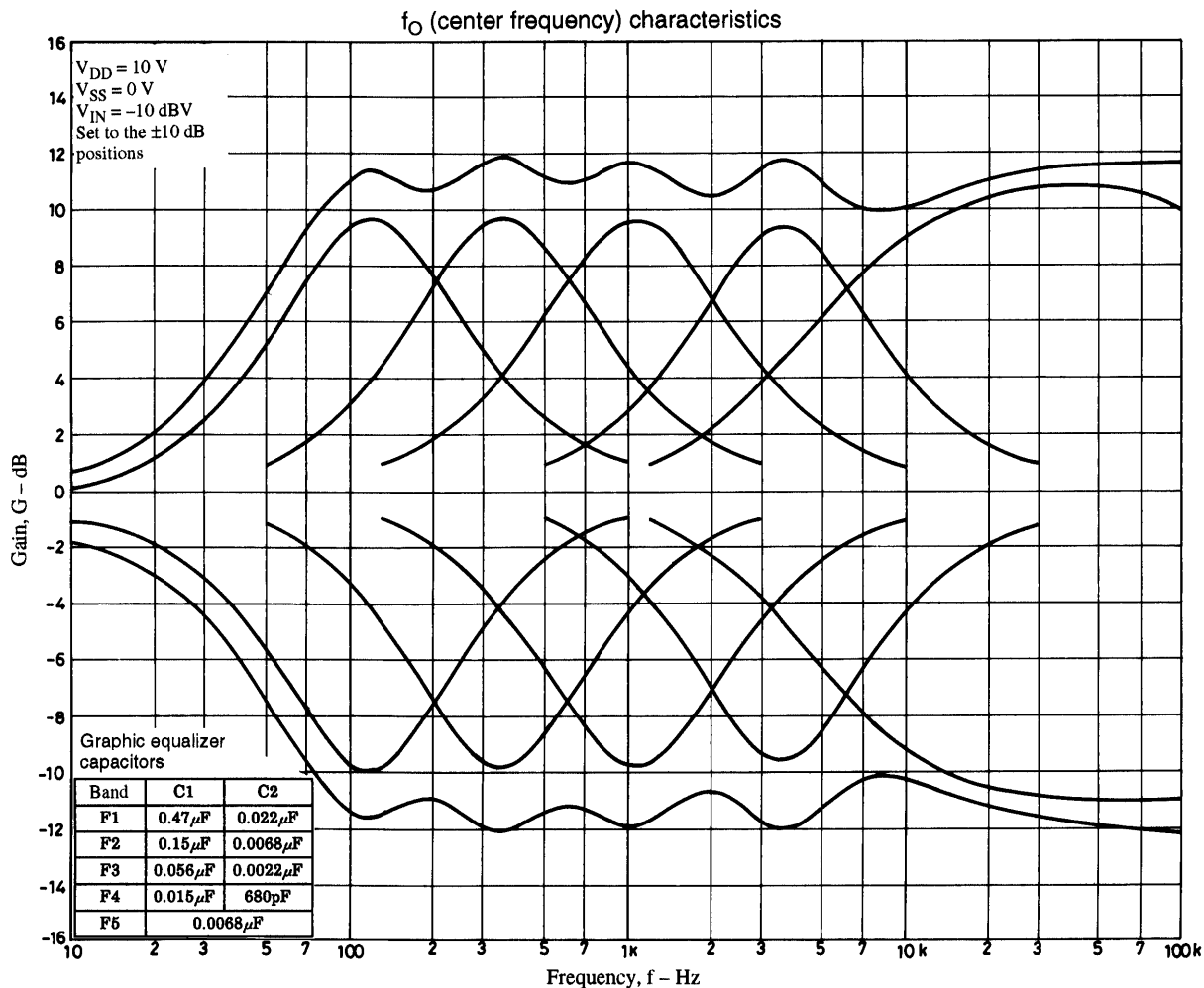
To achieve ± 10 dB (in 2 dB steps) at the target frequency, use an external capacitor C3 which has an impedance of 650 Ω .

Control System Timing and Data Format

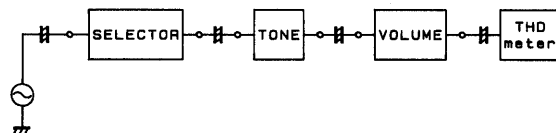
The LC75395E is controlled by inputting stipulated data to the CE, CL, and DI pins. The data consists of a total of 40 bits, of which 8 bits are address and 32 bits are data.



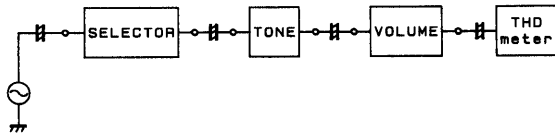
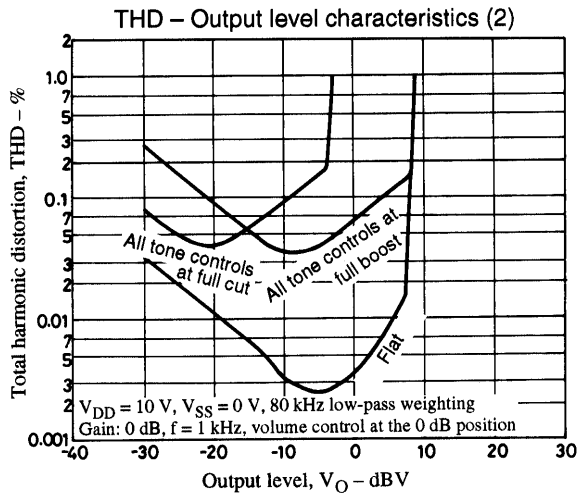
A03566



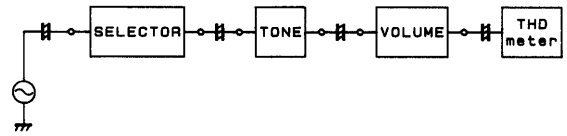
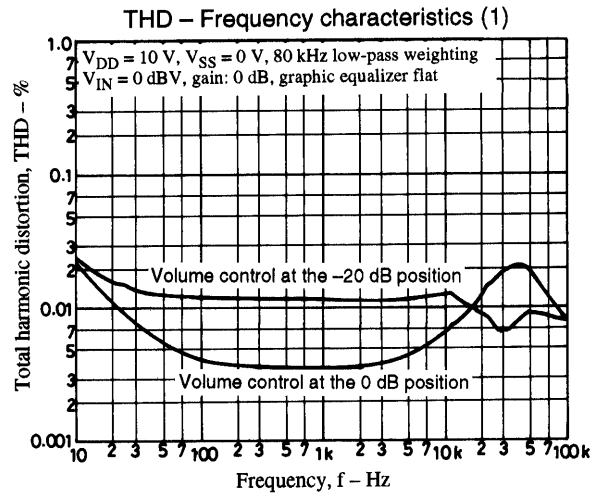
A03730



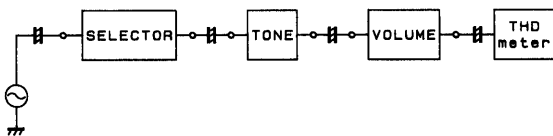
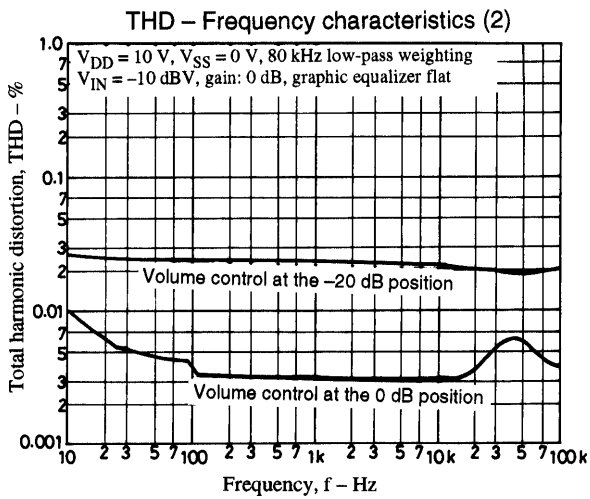
A03731



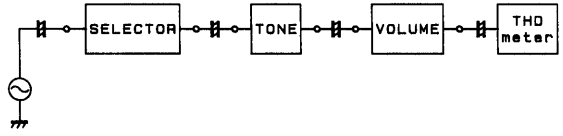
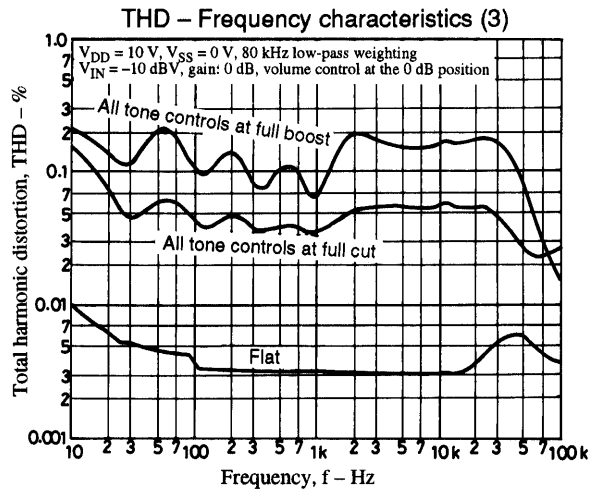
A03732



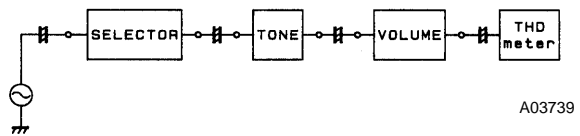
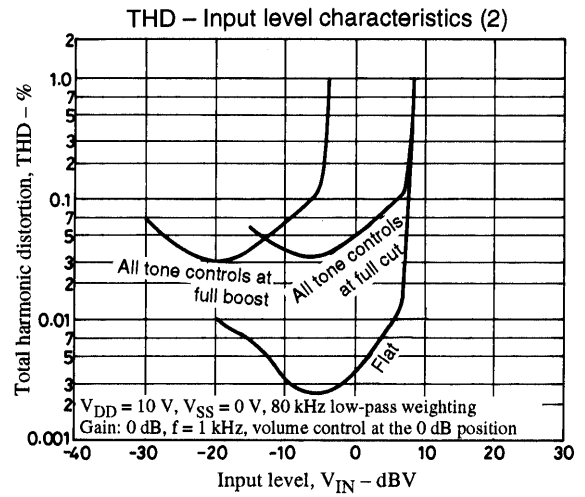
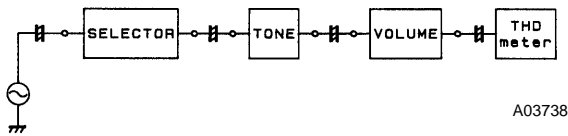
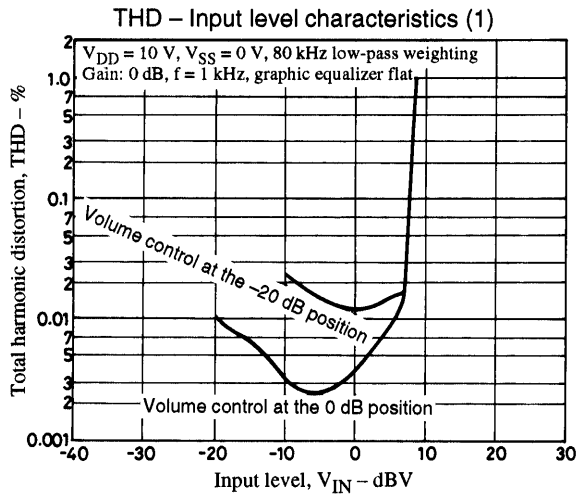
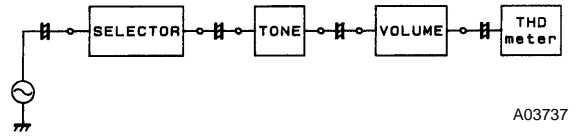
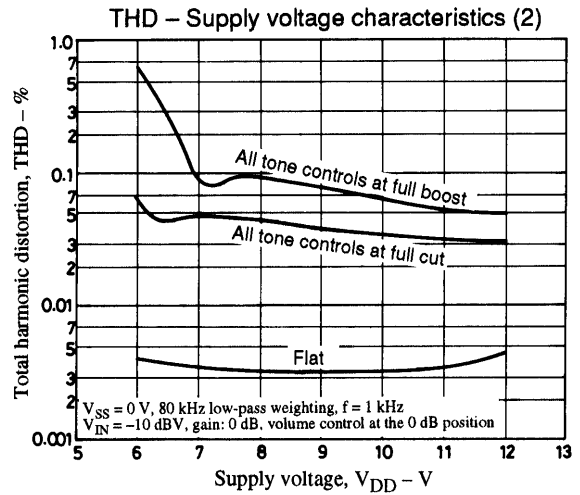
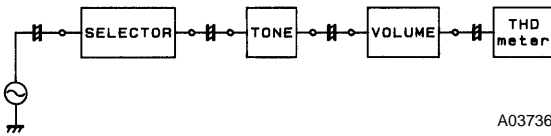
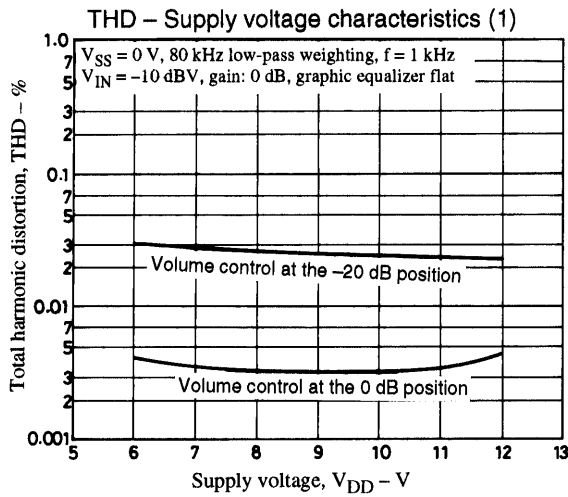
A03733



A03734



A03735



Usage Notes

1. The states of the internal analog switches are undefined when power is first applied. Muting should be applied externally until control data has been transferred and stored.
2. The signal lines for the CL, DI and CE pins should either be covered by the pattern ground or be formed from shielded cable to prevent the high-frequency digital signals transmitted over these lines from entering the analog system.

- No products described or contained herein are intended for use in surgical implants, life-support systems, aerospace equipment, nuclear power control systems, vehicles, disaster/crime-prevention equipment and the like, the failure of which may directly or indirectly cause injury, death or property loss.
- Anyone purchasing any products described or contained herein for an above-mentioned use shall:
 - ① Accept full responsibility and indemnify and defend SANYO ELECTRIC CO., LTD., its affiliates, subsidiaries and distributors and all their officers and employees, jointly and severally, against any and all claims and litigation and all damages, cost and expenses associated with such use:
 - ② Not impose any responsibility for any fault or negligence which may be cited in any such claim or litigation on SANYO ELECTRIC CO., LTD., its affiliates, subsidiaries and distributors or any of their officers and employees jointly or severally.
- Information (including circuit diagrams and circuit parameters) herein is for example only; it is not guaranteed for volume production. SANYO believes information herein is accurate and reliable, but no guarantees are made or implied regarding its use or any infringements of intellectual property rights or other rights of third parties.

This catalog provides information as of November, 1997. Specifications and information herein are subject to change without notice.