



LC80101M

VICS LSI



Overview

The LC80101M is a special-purpose descrambler LSI for use in VICS systems. FM multiplexed service data that has had VICS center scrambling applied can be descrambled and received by inserting this LSI in the serial interface between the LC72700E and the application CPU. This architecture also supports reception of regular transmissions that have not been scrambled. Note that sample evaluation and product manufacture using this LSI require a contract with the VICS Center organization.

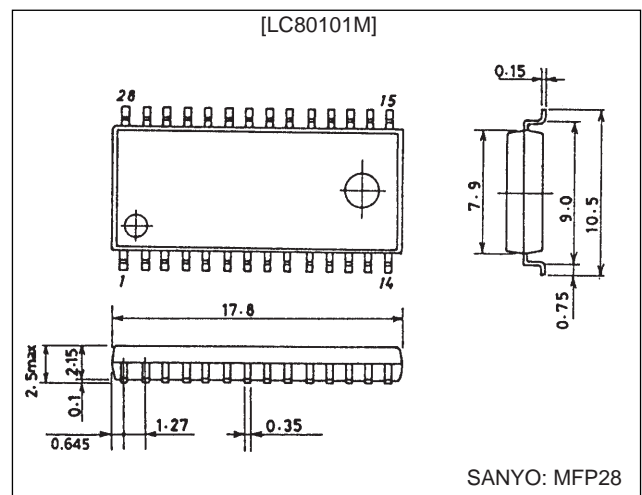
Functions

- VICS scrambled/unscrambled recognition circuit
- Dedicated VICS descrambler circuit
- CPU interface circuit (CCB: serial)

Package Dimensions

unit: mm

3091A-MFP28



Specifications

Absolute Maximum Ratings

Parameter	Symbol	Conditions	Ratings	Unit
Maximum supply voltage	$V_{DD\ max}$	V_{DD}	-0.3 to +7.0	V
Input voltage	V_{IN1}	The CL2, CE2, DI2, RST2, BACKUP, INT-R1, and DI1 pins	-0.3 to +7.0	V
	V_{IN2}	Input pins other than V_{IN1}	-0.3 to $V_{DD} + 0.3$	V
Output voltage	V_{OUT1}	The DO2 pin	-0.3 to +7.0	V
	V_{OUT2}	Output pins other than V_{OUT1}	-0.3 to $V_{DD} + 0.3$	V
Allowable power dissipation	P_{dmax}	$T_a \leq 85^\circ\text{C}$	200	mW
Operating temperature	T_{opr}		-40 to +85	$^\circ\text{C}$
Storage temperature	T_{stg}		-55 to +125	$^\circ\text{C}$

- CCB is a trademark of SANYO ELECTRIC CO., LTD.
- CCB is SANYO's original bus format and all the bus addresses are controlled by SANYO.

LC80101M

Serial Input and Output (See the serial data timing figures.)

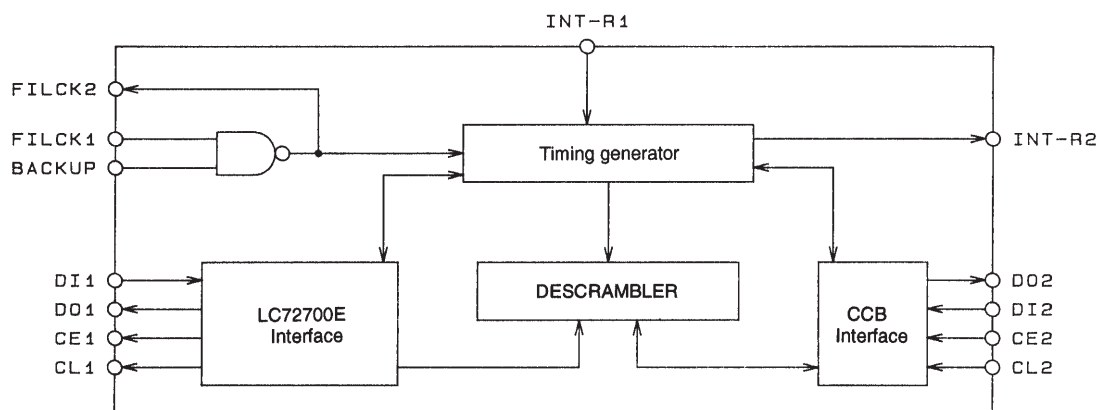
Parameter	Symbol	Conditions	Ratings			Unit
			min	typ	max	
Clock low-level time	t_{CL}	CL2	0.7			μs
Clock high-level time	t_{CH}	CL2	0.7			μs
Data setup time	t_{SU}	CL2, DI2	0.7			μs
Data hold time	t_{HD}	CL2, DI2	0.7			μs
CE wait time	t_{EL}	CL2, CE2	0.7			μs
CE setup time	t_{ES}	CL2, CE2	0.7			μs
CE hold time	t_{EH}	CL2, CE2	0.7			μs
Data output time	t_{DH}	DO2: Varies with the value of the pull-up resistor used			1	μs

Electrical Characteristics/Input and Output Levels at $T_a = -40$ to $+85^\circ\text{C}$, $V_{DD} = 4.5$ to 5.5 V, $V_{SS} = 0$ V

Parameter	Symbol	Conditions	Ratings			Unit
			min	typ	max	
Input high-level voltage	V_{IH}	CMOS-compatible Schmitt inputs	$0.8 V_{DD}$			V
Input low-level voltage	V_{IL}	Pull-down resistors: INT-R1, TEST1 to TEST4, and TESTON			$0.2 V_{DD}$	V
Input high-level voltage	V_{IH}	CMOS-compatible Schmitt inputs:	$0.8 V_{DD}$			V
Input low-level voltage	V_{IL}	BACKUP, CE2, CL2, DI1, DI2, and RST2			$0.2 V_{DD}$	V
Output high-level voltage	V_{OH}	$I_{OH} = -4$ mA: CE1, CL1, DO1, INT-R2	$V_{DD} - 2.1$			V
Output low-level voltage	V_{OL}	$I_{OL} = 4$ mA: CE1, CL1, DO1, INT-R2			0.4	V
Output low-level voltage	V_{OL}	$I_{OL} = 2$ mA: DO2			0.4	V
Standby current	I_{sd}	With the BACKUP pin low		0.01	10	μA
Input sensitivity	V_{ck}	$R_f = 1$ M Ω , FILCK1 = 3.6 MHz: FILCK1*1	1.0		V_{DD}	Vp-p
Pull-down resistance	R_d	INT-R1, TEST1 to 4, TESTON	70	140	280	k Ω
Current drain	I_{DD1}	Sine wave input: 1 V p-p, $V_{DD} = 5.0$ V*2		6	15	mA
	I_{DD2}	Sine wave input: 5 V p-p, $V_{DD} = 5.0$ V*2		2.5	7	mA
	I_{DD3}	Square wave input: 1 V p-p, $V_{DD} = 5.0$ V*2		5	13	mA
	I_{DD4}	Square wave input: 5 V p-p, $V_{DD} = 5.0$ V*2		1.5	4	mA

- Note 1. Since this LSI operates based on the rising edge of the LC72700E 3.6 MHz output (the FILCK pin), the LC72700E 3.6 MHz output signal must be input to the FILCK1 pin without inverting the polarity.
- Note 2. The current drain varies with the input level and the shape of the clock signal input to the FILCK1 pin. The current drain can be reduced by using waveforms that are closer to square waves than to sine waves, and by using a signal level that is close to V_{DD} . The LC72700E 3.6 MHz output is a square wave with an output level equal to V_{DD} .

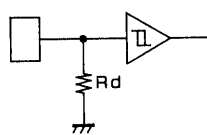
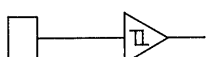
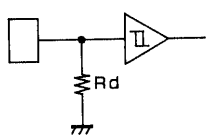

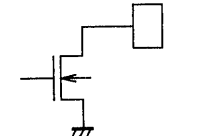
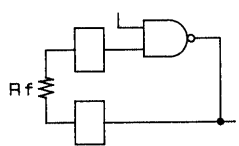
Block Diagram



A05856

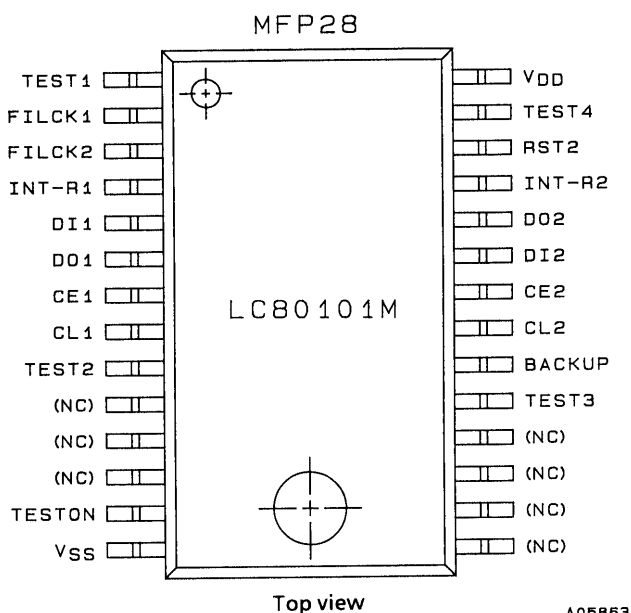
LC80101M

Pin Assignments and Functions

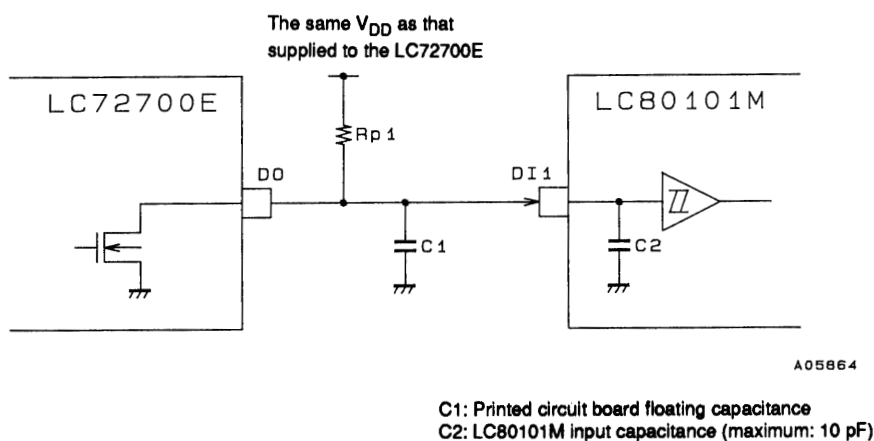
Pin No.	Pin	Function overview	Input or output circuit type
1 9 19 27 13	TEST1 TEST2 TEST3 TEST4 TESTON	Test pin 1 (Must be connected to ground or left open in normal operation.) Test pin 2 (Must be connected to ground or left open in normal operation.) Test pin 3 (Must be connected to ground or left open in normal operation.) Test pin 4 (Must be connected to ground or left open in normal operation.) Test pin (Must be connected to ground in normal operation.) Rd: Input pin internal pull-down resistor	 A05857
5 20 21 22 23 26	DI1 BACKUP CL2 CE2 DI2 RST2	Inputs the output of the LC72700E pin 32. An external pull-down resistor is required. See the following page. Input that selects normal operation when high and backup mode when low. Clock input for the CCB serial interface Control input for the CCB serial interface Data input for the CCB serial interface System reset input (negative logic)	 A05858
4	INT-R1	Inputs the output of the LC72700E pin 35. Rd: Input pin internal pull-down resistor	 A05859
6 7 8 25	DO1 CE1 CL1 INT-R2	Output to the LC72700E pin 31 input Output to the LC72700E pin 30 input Output to the LC72700E pin 29 input Outputs an output data interrupt to the external CPU	 A05860
24	DO2	Data output for the CCB serial interface	 A05861
2 3	FILCK1 FICLK2	System clock generator input System clock generator output Rf: External feedback resistor, 510 kΩ to 1.5 MΩ (typical: 1 MΩ)	 A05862
28 14	V _{DD} V _{SS}	Power supply (+4.5 to 5.5 V) Ground connection	
10, 11, 12, 15, 16, 17 18	NC	No connection pins. These pins must be left open.	

LC80101M

Pin Assignment



Notes on the pull-up resistor used between the LC72700E pin 32 (DO) and this LSI's pin 5 (DI1)



The value of the pull-up resistor R_{p1} must be determined based on the printed circuit board's floating capacitance and the LC80101M's clock. The time t_{CL} for the LC80101M clock is 1.1 μ s (corresponding to 450 kHz). This clock is used as the readout clock output to the LC72700E during the period discussed in note 1 for the basic timing of the external interface as discussed on page 7. If the t_{CL} of the CL2 clock from the microprocessor is longer than the t_{CL} of the LC80101M clock, a t_{CL} of 1.1 μ s must be used in the formulas below. If the t_{CL} of that clock is shorter than that of the LC80101M clock, then the t_{CL} of CL2 must be substituted in the formulas below.

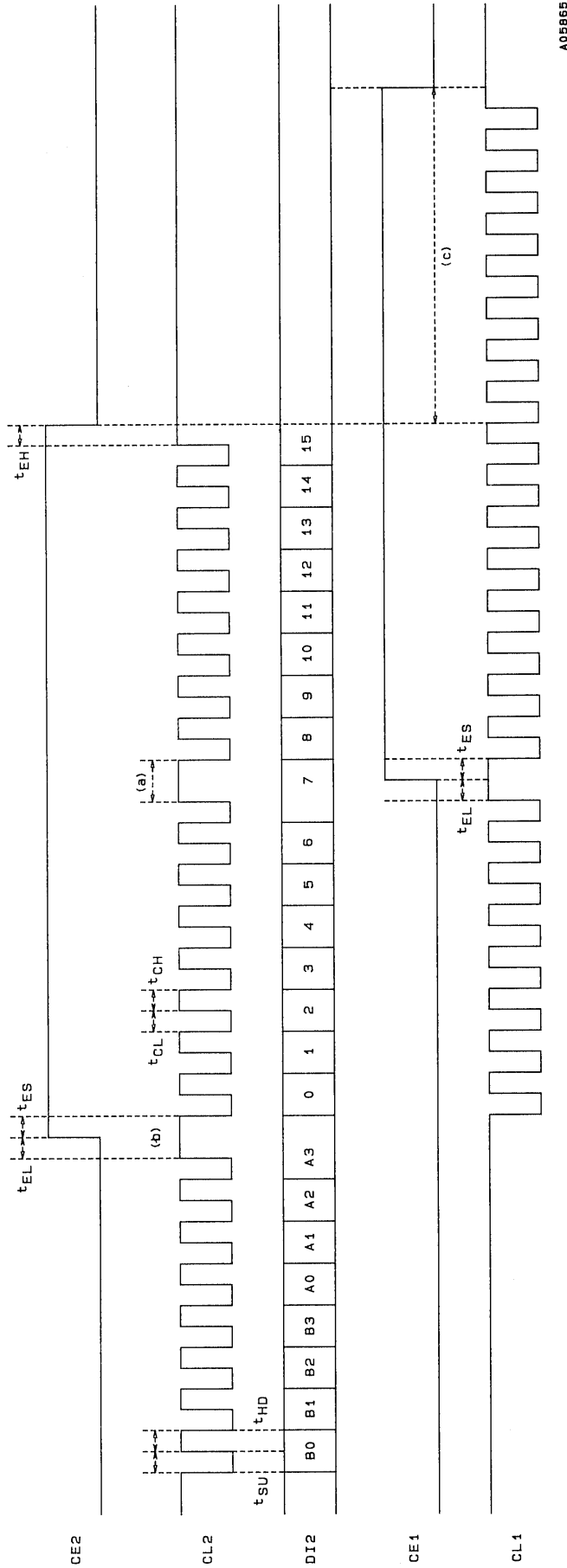
For example, in the configuration shown in the figure above, assuming the t_{CL} of CL2 is 1.0 μ s (i.e. CL2 = 500 kHz), then:

Since $T = t_{CL} - 555$ ns (the LC72700E data output time)

$$R_{p1} \approx \frac{445 \text{ ns}}{2.2 (C1 + C2)}$$

Assuming that $C1 = 10$ pF and $C2 = 10$ pF, then R_{p1} will be ≤ 10.1 k Ω . These considerations must be used as guidelines when determining the value of the pull-up resistor R_{p1} .

Serial Data Input

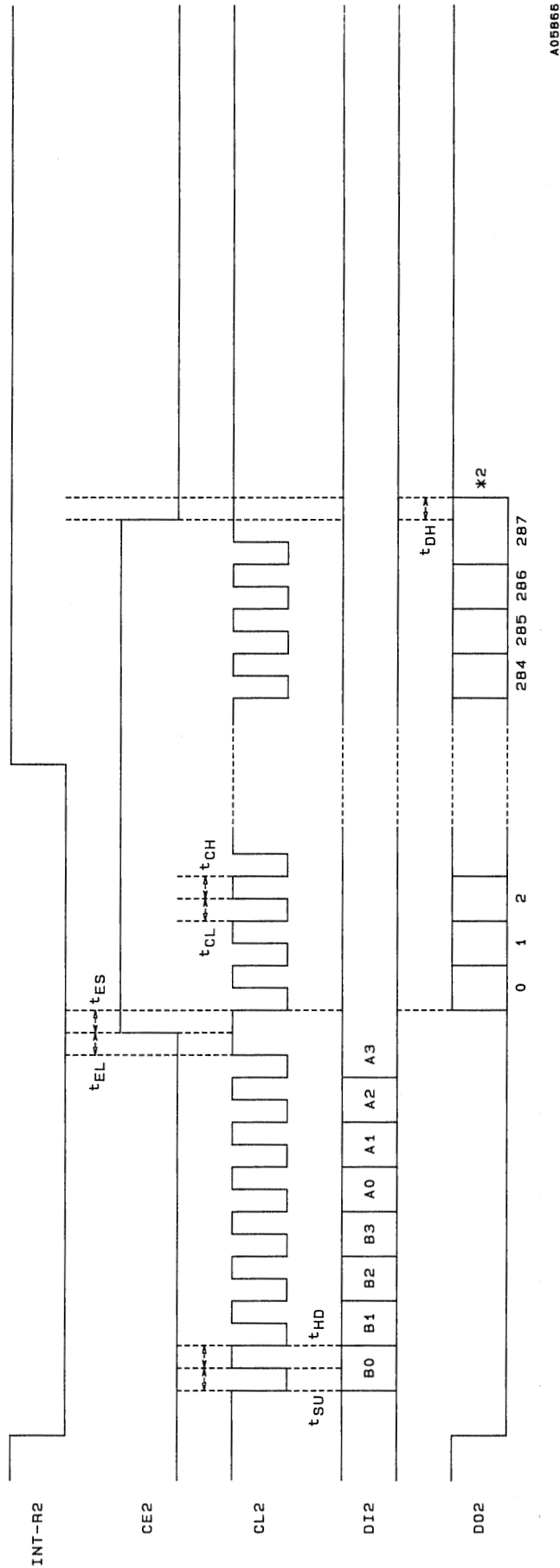


Changes from the serial data input timing in the LC72700E documentation

Since this LSI outputs data to the LC72700E only after receiving and latching 8 bits of data from the microprocessor, it sets CE1 high during the interval marked (a) in the figure. Therefore, it is necessary to create the same periods tEL and tES at (a) as those at (b). However, it is not necessary to take (a) into consideration if either tHD or tCH is 1.4 μs or longer. Note that completion of serial data input to the LC72700E is the section (c), and this generates a delay 10 μs longer than previously. Also, writing and reading serial data is not allowed during the period (c). (CE2 must be held low during the period (c).)

Note: When an application inputs 16-bit serial control data, if data from the same block is required, the application must first read out the data from that same block and then input the 16-bit serial control data. If the serial data is input before the data is read out, data integrity cannot be guaranteed.

Serial Data Output



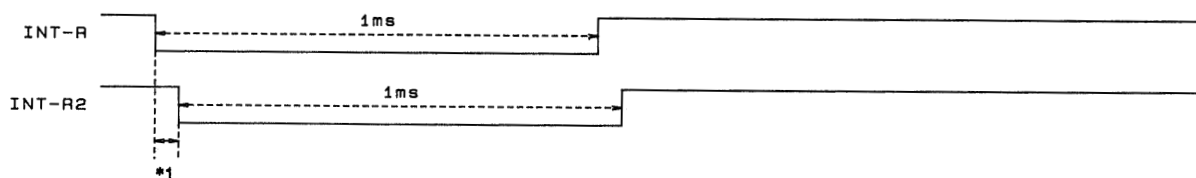
- Note: 1. Since the DO2 pin is an n-channel open-drain pin, the time required for the data value to change differs depending on the value of the pull-up resistor used.
 2. The DO2 pin is normally open.

Changes from the serial data output timing in the LC72700E documentation

There are no changes related to the CE2, CL2, DI2, and DO2 pins. The trigger signal used by the microprocessor for data acquisition is the falling edge of either INT-R2 or DO2.

A05866

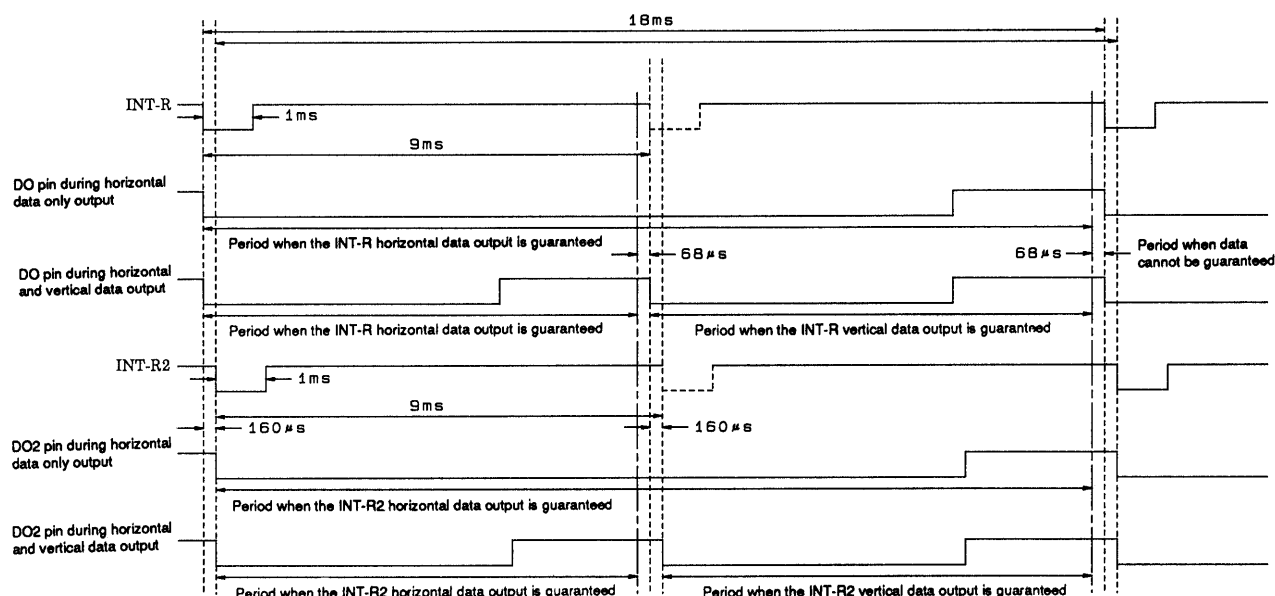
External Interface Basic Timing



A05867

Figure 1

Figure 1 shows how the timing changes between the LC72700E INT-R output and this LSI's INT-R2 output. This LSI requires the period indicated as "Note 1", about 160 μs, following the detection of a falling edge on the INT-R signal to set up the descrambling processing. It outputs a falling edge on INT-R2 after the note 1 time has elapsed. Serial data reads and writes are disabled during this period.



A05868

Figure 2

Figure 2 shows the basic timing for the external interface. When this LSI is not used and the system is operated based on the INT-R trigger, if only horizontal data is output, there will be a data readout guaranteed period of $18 - 0.068 = 17.932$ ms, and if both horizontal and vertical data are read out, there will be two $9 - 0.068 = 8.932$ ms data readout guaranteed periods, one each for horizontal and vertical data output. When this LSI is used and the system is operated based on the INT-R2 trigger, these data readout guaranteed periods are shortened by exactly the amount the INT-R2 signal is delayed, namely 160 μs. When only horizontal data is output, the data readout guaranteed period will be $17.932 - 0.160 = 17.772$ ms, and both horizontal and vertical data is output, the data readout guaranteed periods will be $8.932 - 0.160 = 8.772$ ms for both horizontal and vertical data output.

Usage Notes

1. Setting the BACKUP pin low switches the LC80101M to backup mode. This is a mode in which oscillator and chip operation are stopped to reduce current drain. This pin must be set high for normal operation. Also note that a reset must be applied after the BACKUP pin is returned to high from low. (See Figure 4 on page 8.) The BACKUP pin must be connected to the LC80101M V_{DD} pin if backup mode is not used.
2. The lines connecting this LSI to the LC72700E must be dedicated lines only used by these two chips. Do not connect these lines to any other circuits via a bus or any other connection.
3. A reset must be applied when power is first applied. The LC72700E RST pin and this LSI's RST2 pin can be driven from a common signal. (See Figure 3 on page 8.)
4. The TESTON pin (pin 13) must be connected to ground.

Operation During Reset

A reset signal is applied by setting the RST2 pin input level below V_{IL} for at least 300 ns when the power-supply voltage (V_{DD}) is 3.4 V or higher. See Figure 3.

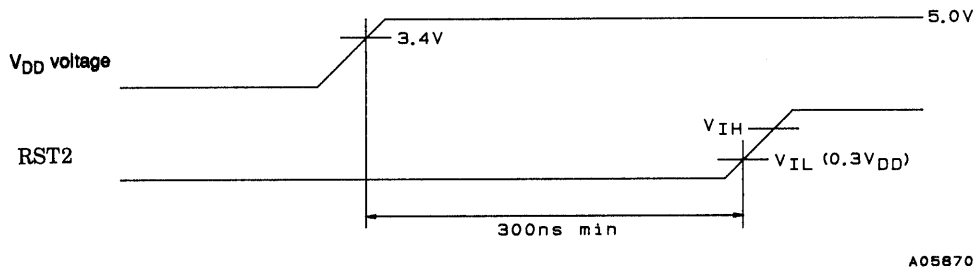


Figure 3

All registers other than those holding data required for descrambling are reset by a reset signal. The crystal oscillator circuit does not stop.

BACKUP Pin

A reset must be applied after the BACKUP pin is returned to high (for normal operation from low (backup mode, in which the oscillator is stopped)). See the following figure.

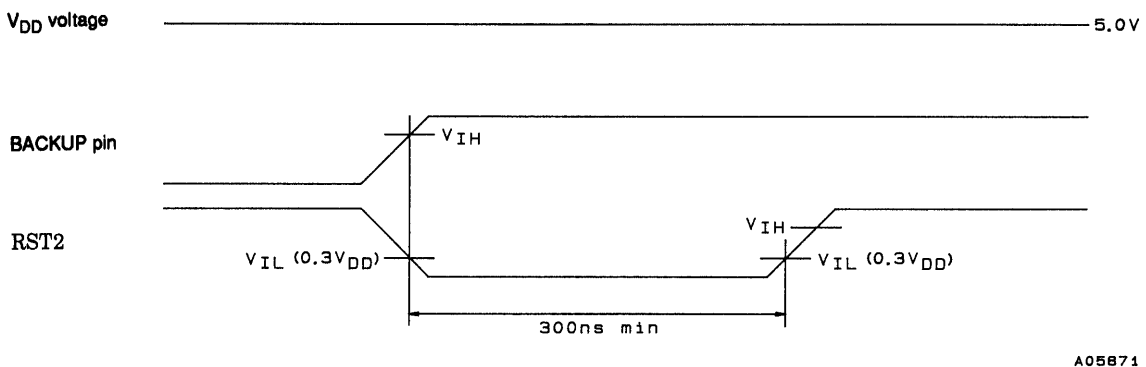
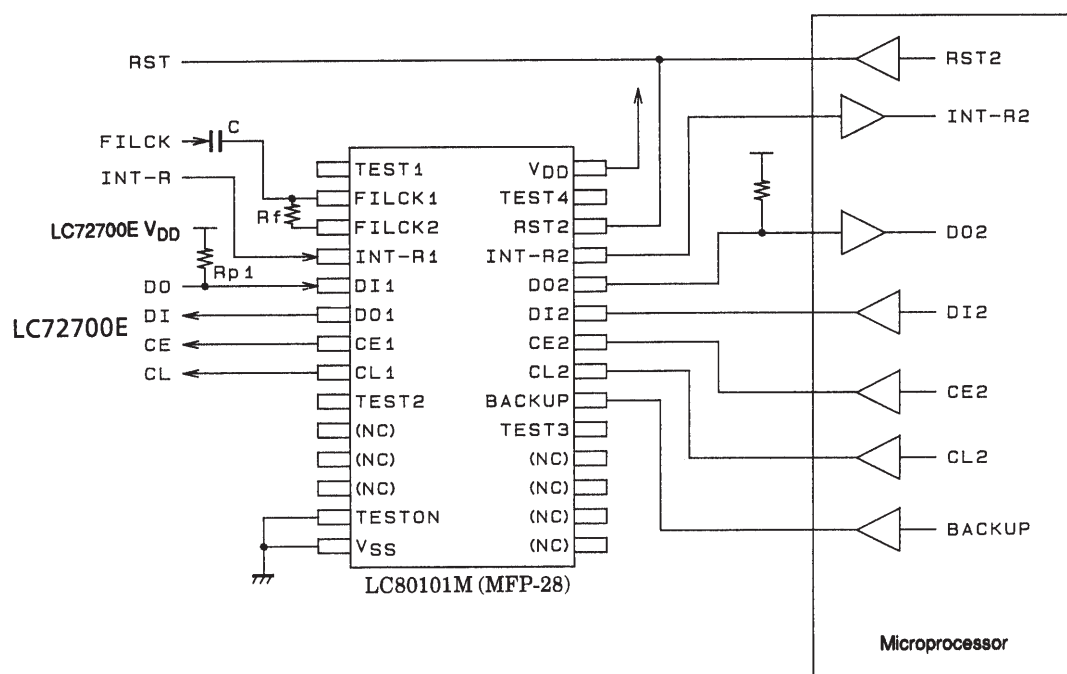


Figure 4

LC80101M

Sample Circuit Connecting the LC80101M, the LC72700E, and a Microprocessor



A05869

- No products described or contained herein are intended for use in surgical implants, life-support systems, aerospace equipment, nuclear power control systems, vehicles, disaster/crime-prevention equipment and the like, the failure of which may directly or indirectly cause injury, death or property loss.
- Anyone purchasing any products described or contained herein for an above-mentioned use shall:
 - ① Accept full responsibility and indemnify and defend SANYO ELECTRIC CO., LTD., its affiliates, subsidiaries and distributors and all their officers and employees, jointly and severally, against any and all claims and litigation and all damages, cost and expenses associated with such use:
 - ② Not impose any responsibility for any fault or negligence which may be cited in any such claim or litigation on SANYO ELECTRIC CO., LTD., its affiliates, subsidiaries and distributors or any of their officers and employees jointly or severally.
- Information (including circuit diagrams and circuit parameters) herein is for example only; it is not guaranteed for volume production. SANYO believes information herein is accurate and reliable, but no guarantees are made or implied regarding its use or any infringements of intellectual property rights or other rights of third parties.

This catalog provides information as of December, 1997. Specifications and information herein are subject to change without notice.