

**LC82220****Motion JPEG Decoder LSI****Preliminary****Overview**

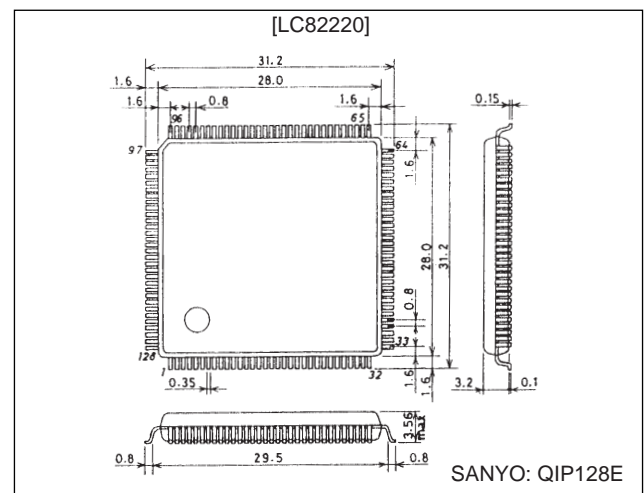
The LC82220 is a single-chip JPEG decoder designed for wide range of digital video playback applications including amusement systems, video games and PC JPEG playback cards. The LC82220 is capable of decoding JPEG bitstreams of SIF resolution with a picture rate of 30 frames/sec. The digital video output can be formatted for NTSC, PAL, SECAM, or any other optional video standard. The complete decoding function is realised with the LC82220, a standard 8-bit or 16-bit microcontroller and a bank of DRAM. A typical memory configuration is a single 128 k × 16 or 256 k × 16 DRAM. The LC82220 also supports efficient video display functions such as scroll and overlay.

**Functions**

- Support for JPEG format
- Real-time decoding of motion-JPEG with rate of 30 frames/sec
- Lowest solution cost for amusement, game, PC systems
- Support for YUV 4:1:1 color format
- YUV or RGB digital video outputs compatible with optional video format
- Programmable picture and display window format
- Support for trick display: scrolling, overlaying
- Standard 8/16-bit microcontroller interface with DMA support for compressed data input
- Support SOI and EOI markers
- Direct connect to video DAC
- Direct connect to 2 M or 4 M DRAM as bit and frame buffers
- Two Q-tables included
- High-speed processing by fixed Huffman tables

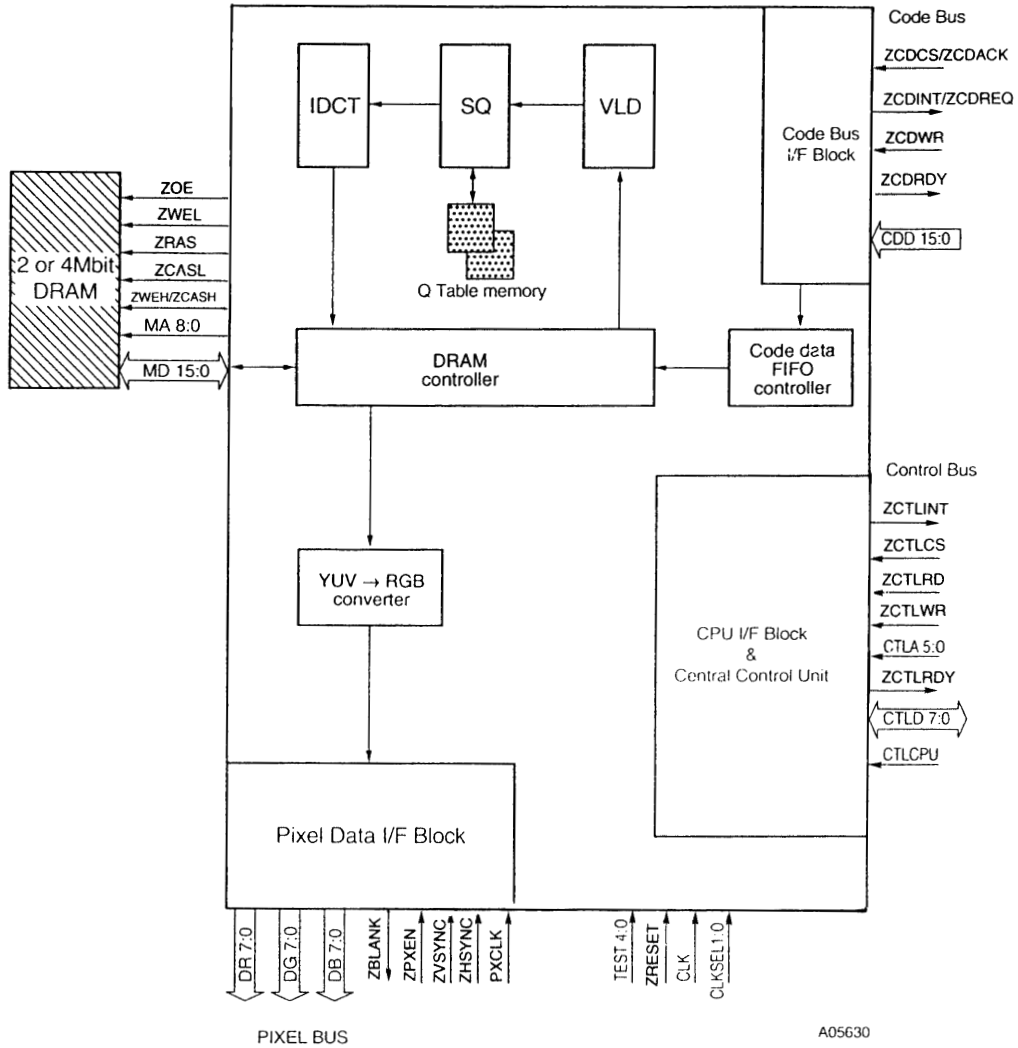
**Package Dimensions**

unit: mm

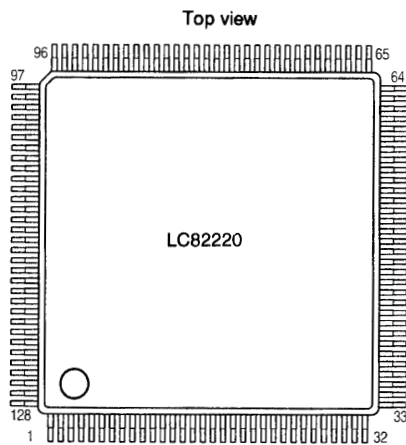
**3182-QFP128E**

# LC82220

## Block Diagram



## Pin Assignment



## LC82220

### Pin Functions

Pin No.	Symbol	I/O	Function
1	V <sub>DD</sub>		+5 V power supply
2	ZCTLINT	O	Control bus interrupt request (open drain output)
3	ZCTLCS	I	Control bus select
4	ZCTLRD	I	Control bus read or R/W select
5	ZCTLWR	I	Control bus write or Data strobe
6	ZCTLRDY	O	Control bus ready (tristate output)
7	TEST3	I	Test pin
8	TEST4	I	Test pin
9	CTLA5	I	Control bus address
10	CTLA4	I	
11	CTLA3	I	
12	CTLA2	I	
13	CTLA1	I	
14	CTLA0	I	
15	CTLCPU	I	Control bus CPU type selection
16	V <sub>DD</sub>		+5 V power supply
17	V <sub>SS</sub>		Ground
18	CTLD7	I/O	Control bus data
19	CTLD6	I/O	
20	CTLD5	I/O	
21	CTLD4	I/O	
22	CTLD3	I/O	
23	CTLD2	I/O	
24	CTLD1	I/O	
25	CTLD0	I/O	
26	TEST0	I	Test pin
27	ZRESET	I	Hardware reset
28	CLKSEL0	I	Clock divisor setting
29	CLKSEL1	I	CLKSEL1:0 = 00: no divisor, 01: clock divided by 2, 10: clock divided by 3
30	CLK	I	System (decode) clock input (CMOS level input)
31	TEST1	I	Test pin
32	V <sub>DD</sub>		+5 V power supply
33	V <sub>SS</sub>		Ground
34	ZCDCS/ZCDACK	I	Code bus select or Code bus DMA acknowledge
35	ZCDINT/ZCDREQ	O	Code bus interrupt or Code bus DMA request
36	ZCDWR	I	Code bus data write signal
37	ZCDRDY	O	Code bus ready (tristate output)
38	CCD15	I	Code bus data
39	CCD14	I	
40	CCD13	I	
41	CCD12	I	
42	CCD11	I	
43	CCD10	I	
44	CCD9	I	
45	CCD8	I	
46	CCD7	I	
47	CCD6	I	
48	V <sub>SS</sub>		Ground
49	V <sub>DD</sub>		+5 V power supply
50	CCD5	I	Code bus data
51	CCD4	I	
52	CCD3	I	
53	CCD2	I	
54	CCD1	I	
55	CCD0	I	

Continued on next page.

## LC82220

Continued from preceding page.

Pin No.	Symbol	I/O	Function
56	DB7	O	Pixel data bus B (V)
57	DB6	O	
58	DB5	O	
59	DB4	O	
60	DB3	O	
61	DB2	O	
62	DB1	O	
63	DB0	O	
64	V <sub>SS</sub>		Ground
65	V <sub>DD</sub>		+5V power supply
66	ZBLANK	O	Blanking signal
67	ZPXEN	I	Pixel data enable signal
68	PXCLK	I	Pixel clock
69	ZVSYNC	I	Vertical synchronizing signal
70	ZHSYNC	I	Horizontal synchronizing signal
71	DG7	O	Pixel data bus G (U)
72	DG6	O	
73	DG5	O	
74	DG4	O	
75	DG3	O	
76	DG2	O	
77	DG1	O	
78	DG0	O	
79	TEST2	I	Test pin
80	V <sub>DD</sub>		+5 V power supply
81	V <sub>SS</sub>		Ground
82	DR7	O	Pixel data bus R (Y)
83	DR6	O	
84	DR5	O	
85	DR4	O	
86	DR3	O	
87	DR2	O	
88	DR1	O	
89	DR0	O	
90	V <sub>SS</sub>		Ground
91	ZOE	O	Memory output enable
92	ZWEL	O	Memory write enable (L)
93	ZRAS	O	Row address strobe
94	ZCASL	O	Column address strobe (L)
95	ZWEH/ZCASH	O	Memory write enable (H)/column address strobe (H)
96	V <sub>DD</sub>		+5 V power supply*1
97	V <sub>SS</sub>		Ground
98	MD15	I/O	Frame memory interface data bus
99	MD14	I/O	
100	MD13	I/O	
101	MD12	I/O	
102	MD11	I/O	
103	MD10	I/O	
104	V <sub>DD</sub>		+5 V power supply
105	V <sub>SS</sub>		Ground
106	MD9	I/O	Frame memory interface data bus
107	MD8	I/O	
108	MD7	I/O	
109	MD6	I/O	
110	MD5	I/O	
111	MD4	I/O	

Continued on next page.

## LC82220

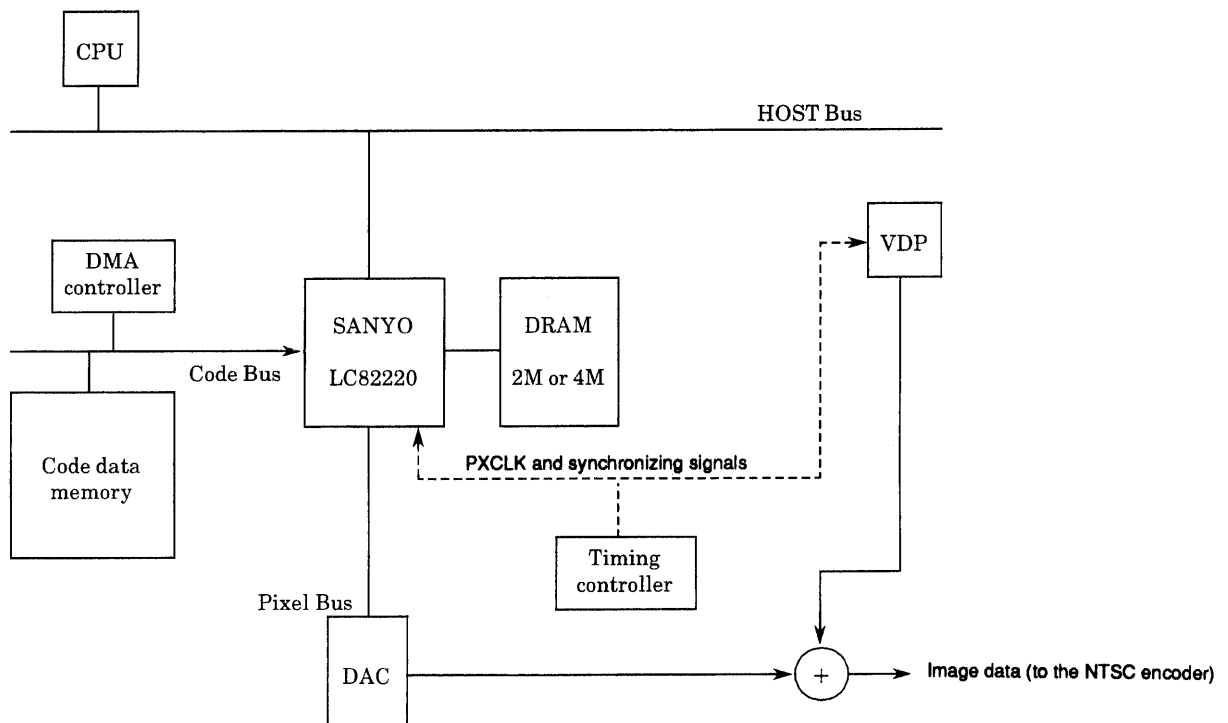
Continued from preceding page.

Pin No.	Symbol	I/O	Function
112	V <sub>SS</sub>		Ground
113	V <sub>DD</sub>		+5 V power supply
114	MD3	I/O	Frame memory interface data bus
115	MD2	I/O	
116	MD1	I/O	
117	MD0	I/O	
118	V <sub>SS</sub>		Ground
119	MA8	O	Frame memory address signals
120	MA7	O	
121	MA6	O	
122	MA5	O	
123	MA4	O	
124	MA3	O	
125	MA2	O	
126	MA1	O	
127	MA0	O	
128	V <sub>SS</sub>		Ground

### System Configuration Example

1. Separate code bus type

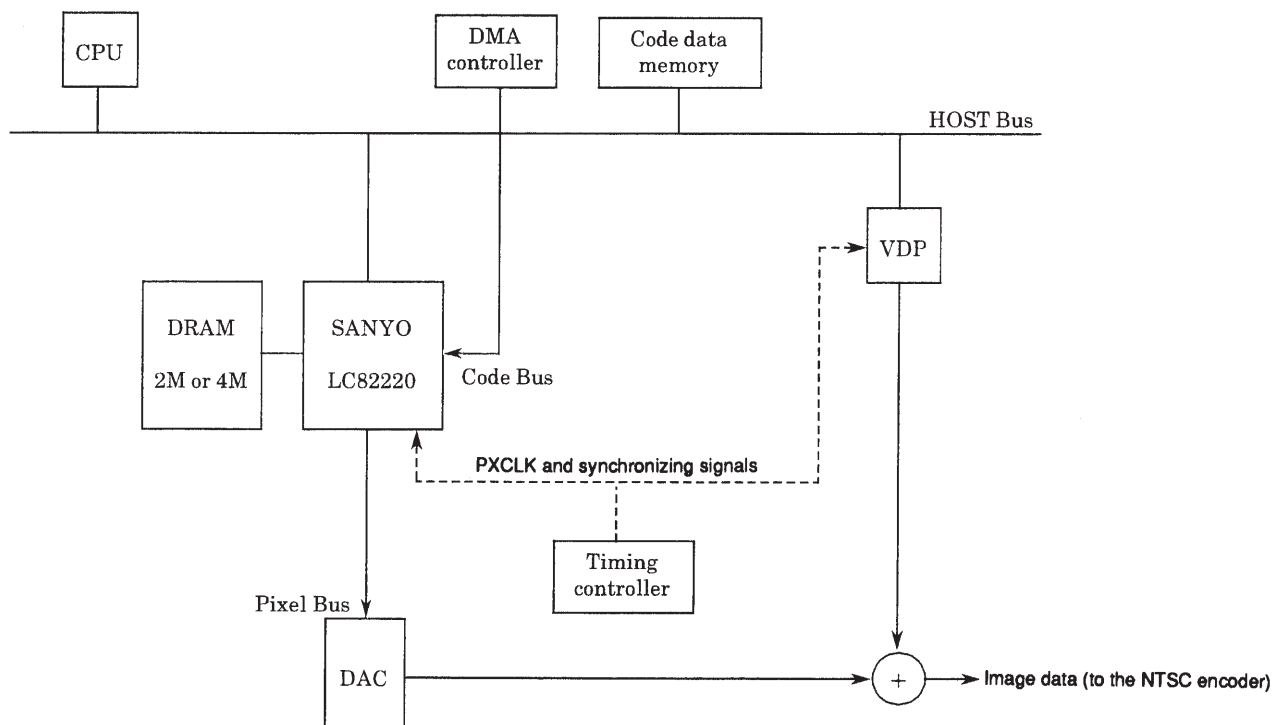
This is a system in which the code and system busses are separated. The coded data input does not load down the system bus.



## LC82220

### 2. Shared code bus type

This is a system in which code bus and the system bus are connected. Coded data is written by the CPU, or alternatively, data can be written using the DMA controller.



- No products described or contained herein are intended for use in surgical implants, life-support systems, aerospace equipment, nuclear power control systems, vehicles, disaster/crime-prevention equipment and the like, the failure of which may directly or indirectly cause injury, death or property loss.
- Anyone purchasing any products described or contained herein for an above-mentioned use shall:
  - ① Accept full responsibility and indemnify and defend SANYO ELECTRIC CO., LTD., its affiliates, subsidiaries and distributors and all their officers and employees, jointly and severally, against any and all claims and litigation and all damages, cost and expenses associated with such use:
  - ② Not impose any responsibility for any fault or negligence which may be cited in any such claim or litigation on SANYO ELECTRIC CO., LTD., its affiliates, subsidiaries and distributors or any of their officers and employees jointly or severally.
- Information (including circuit diagrams and circuit parameters) herein is for example only; it is not guaranteed for volume production. SANYO believes information herein is accurate and reliable, but no guarantees are made or implied regarding its use or any infringements of intellectual property rights or other rights of third parties.

This catalog provides information as of December, 1997. Specifications and information herein are subject to change without notice.