



LC11011-141

Computer Image Signal Processing Full-Color Gray-Scale Processor

Preliminary

Overview

The LC11011-141 is a pseudo gray scale processor for TFT LCD. It allows LCD panels with inputs of three to six bits per RGB to display the equivalent of 16.7 million colors.

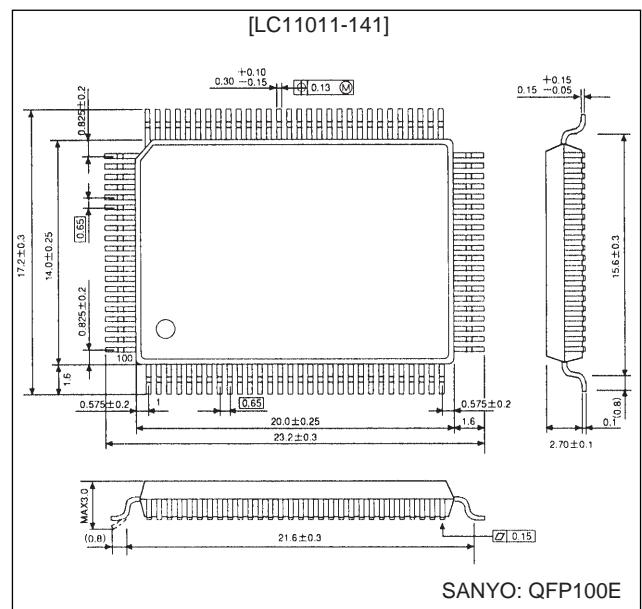
Features

- Handles 8-bits of input data (256-scale data) for each of the RGB colors.
- Operating mode selection of three, four, or six bit driver outputs
- Realizes reduced resolution loss (as compared to dithering techniques) by using intra- and inter-frame error diffusion processing.
- Supports both 5 V and low voltage (3.3 V) operation.
- Operates with arbitrary clock frequencies up to 50 MHz (at 5 V) or up to 30 MHz (at 3.3 V).
- Can operate independently of the number of displayed pixels since internal operation is controlled by the horizontal and vertical synchronization signals.

Package Dimensions

unit: mm

3151-QFP100E



Specifications

Absolute Maximum Ratings at $T_a = 25^\circ\text{C}$, $V_{SS} = 0\text{ V}$

Parameter	Symbol	Conditions	Ratings	Unit
Maximum supply voltage	$V_{DD\text{ max}}$		-0.3 to +7.0	V
Input and output voltages	V_I, V_O		-0.3 to $V_{DD} + 0.3$	V
Operating temperature	T_{opr}		0 to +70	$^\circ\text{C}$
Storage temperature	T_{stg}		-40 to +125	$^\circ\text{C}$

Electrical Characteristics: At an operating voltage of 5.0 V

Operating Ranges at $T_a = 0$ to $+70^\circ\text{C}$

Parameter	Symbol	Conditions	Ratings			Unit
			min	typ	max	
Supply voltage	V_{DD}		4.5	5.0	5.5	V
Input voltage	V_{IN}		0		V_{DD}	V
Clock frequency	f_{clk}				50	MHz

LC11011-141

DC Characteristics at $T_a = 0$ to $+70^\circ\text{C}$, $V_{SS} = 0$ V, $V_{DD} = 4.5$ to 5.5 V

Parameter	Symbol	Conditions	Ratings			Unit
			min	typ	max	
High level input voltage	V_{IH}	CMOS level	$0.7 V_{DD}$			V
Low level input voltage	V_{IL}	CMOS level			$0.3 V_{DD}$	V
High level output voltage	V_{OH}	$I_{OH} (-4 \text{ mA})$	2.4			V
Low level output voltage	V_{OL}	$I_{OL} (4 \text{ mA})$			0.4	V
Supply current	I_{CC}	*		40	70	mA

Note: * The test conditions are: $f_{CP} = 25.175$ MHz, $V_{DD} = 5.0$ V, $C_L = 15$ pF (measured with VGA timing)

Switching Characteristics at $T_a = 0$ to $+70^\circ\text{C}$, $V_{SS} = 0$ V, $V_{DD} = 4.5$ to 5.5 V, $C_L = 15$ pF

Parameter	Symbol	Conditions	Ratings			Unit
			min	typ	max	
Dot clock cycle time	Tdclk		20			ns
Hsync low level pulse width	Thpw		2 Tdclk			ns
Vsync low level pulse width	Tvpw		2 Tdclk			ns
Data setup time	Tdsu		5			ns
Data hold time	Tdhd		5			ns
Control signal setup time	Tcsu		5			ns
Control signal hold time	Tchd		5			ns
CLK propagation delay time	Tdhh		2	3	6	ns
CLK propagation delay time	Tdll		2	4	7	ns
CLKB propagation delay time	Tdhl		2	4	7	ns
CLKB propagation delay time	Tdlh		2	4	7	ns
Control signal propagation delay time	Tctl		2 Tdclk + 3	2 Tdclk + 6	2 Tdclk + 10	ns
Data output propagation delay time	Tdata		2 Tdclk + 3	2 Tdclk + 6	2 Tdclk + 11	ns

Electrical Characteristics: At an operating voltage of 3.3 V

Operating Ranges at $T_a = 0$ to $+70^\circ\text{C}$

Parameter	Symbol	Conditions	Ratings			Unit
			min	typ	max	
Supply voltage	V_{DD}		3.0	3.3	3.6	V
Input voltage	V_{IN}		0		V_{DD}	V
Clock frequency	f_{clk}				30	MHz

DC Characteristics at $T_a = 0$ to $+70^\circ\text{C}$, $V_{SS} = 0$ V, $V_{DD} = 3.0$ to 3.6 V

Parameter	Symbol	Conditions	Ratings			Unit
			min	typ	max	
High level input voltage	V_{IH}	CMOS level	$0.7 V_{DD}$			V
Low level input voltage	V_{IL}	CMOS level			$0.3 V_{DD}$	V
High level output voltage	V_{OH}	$I_{OH} (-2 \text{ mA})$	2.2			V
Low level output voltage	V_{OL}	$I_{OL} (2 \text{ mA})$			0.4	V
Supply current	I_{CC}	*		30	45	mA

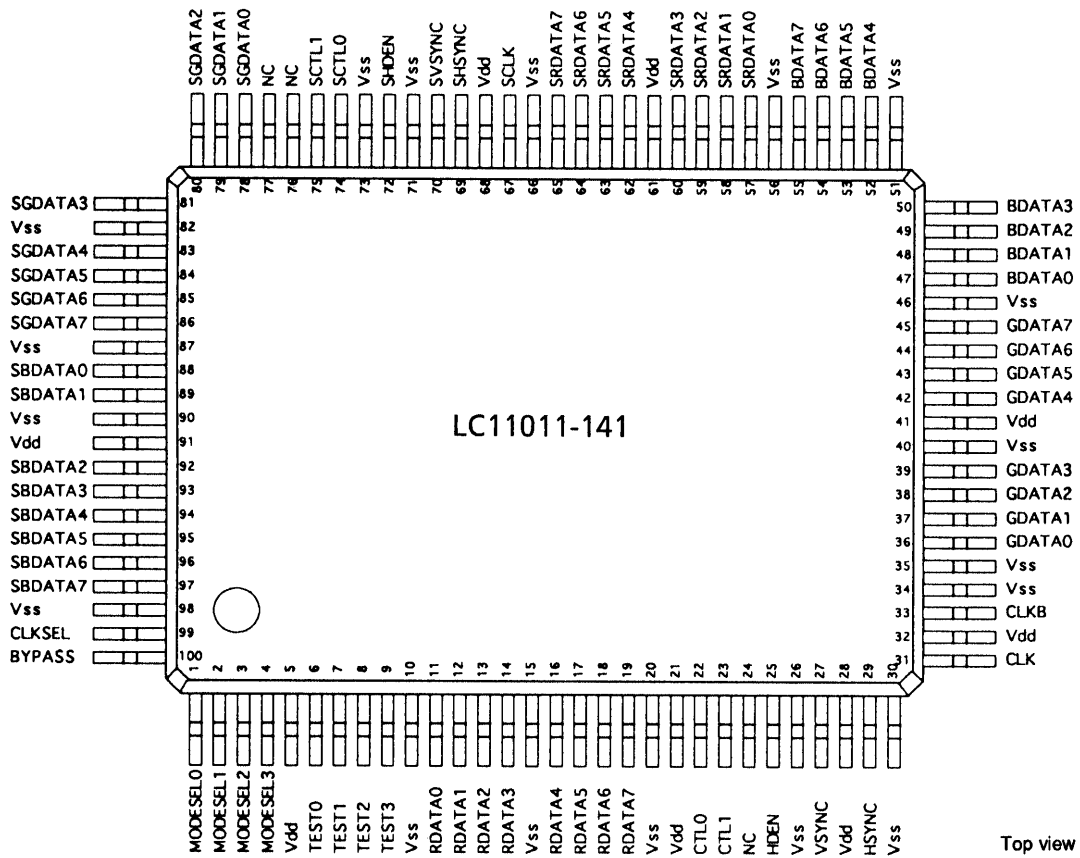
Note: * The test conditions are: $f_{clk} = 25.175$ MHz, $V_{DD} = 3.3$ V, $C_L = 15$ pF (measured with VGA timing)

LC11011-141

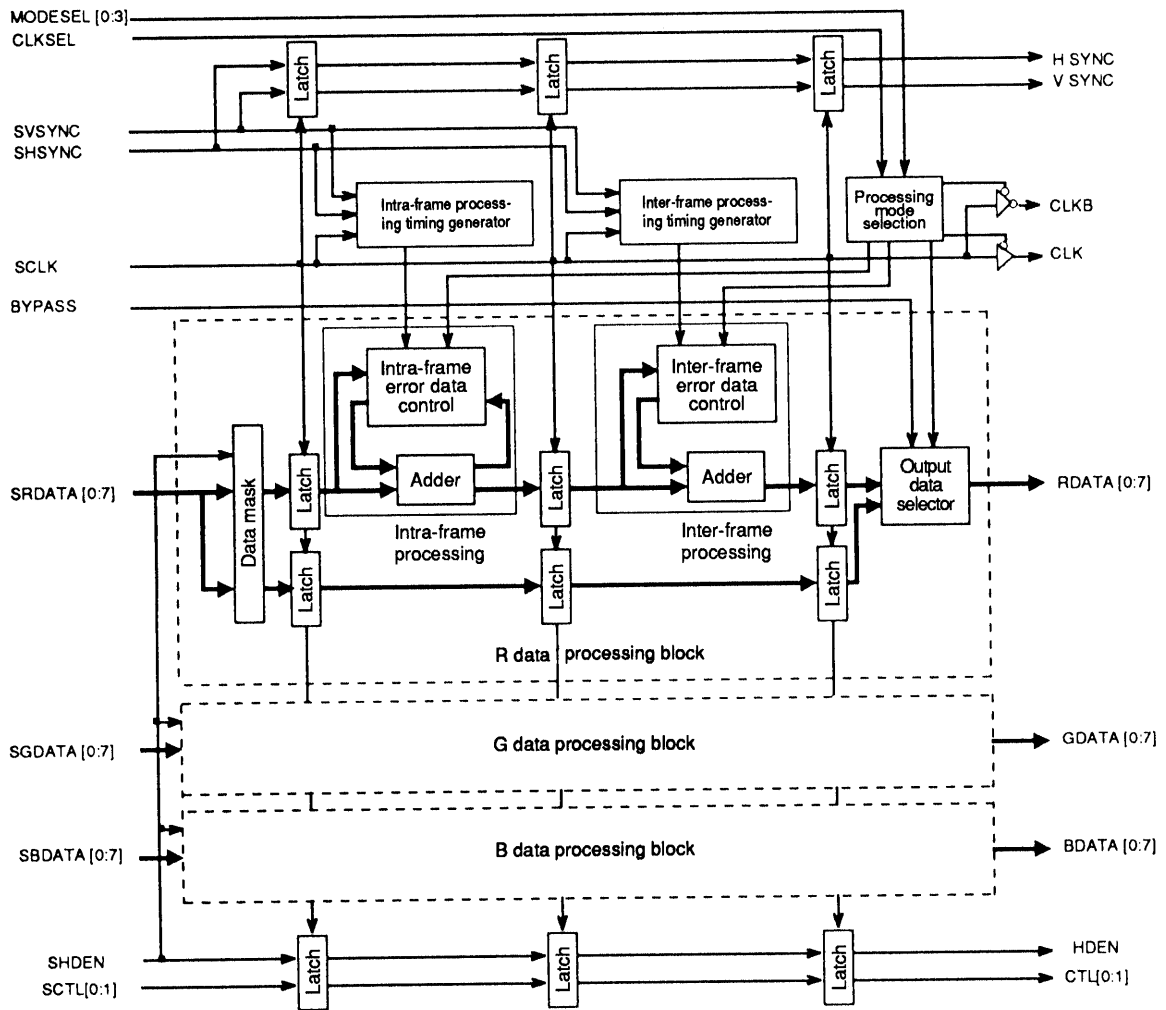
Switching Characteristics at $T_a = 0$ to $+70^\circ\text{C}$, $V_{SS} = 0$ V, $V_{DD} = 3.0$ to 3.6 V, $C_L = 15$ pF

Parameter	Symbol	Conditions	Ratings			Unit
			min	typ	max	
Dot clock cycle time	Tdclk		33			ns
Hsync low level pulse width	Thpw		2 Tdclk			ns
Vsync low level pulse width	Tvpw		2 Tdclk			ns
Data setup time	Tdsu		10			ns
Data hold time	Tdhd		10			ns
Control signal setup time	Tcsu		10			ns
Control signal hold time	Tchd		10			ns
CLK propagation delay time	Ttdhh		2	5	12	ns
CLK propagation delay time	Ttdll		2	6	14	ns
CLKB propagation delay time	Ttdhl		2	6	14	ns
CLKB propagation delay time	Ttdlh		2	6	14	ns
Control signal propagation delay time	Ttctl		2 Tdclk + 5	2 Tdclk + 10	2 Tdclk + 22	ns
Data output propagation delay time	Ttdata		2 Tdclk + 5	2 Tdclk + 10	2 Tdclk + 24	ns

Pin Assignment



Block Diagram



Pin Functions

Symbol	Pin No.	I/O	Function																																																																																					
V _{DD}	5, 21, 28, 32, 41, 61, 68, 91	Input	Power supply (+5 V)																																																																																					
V _{SS}	10, 15, 20, 26, 30, 34, 35, 40, 46, 51, 56, 66, 71, 73, 82, 87, 90, 98	Input	GND (0 V)																																																																																					
NC	24, 76, 77	—	Must be left open.																																																																																					
MODESEL0	1	Input	<p>Mode selection signals [0:3] for the gray scale mode. The setting process for the mode selection lines is described below. MODESEL0 is the LSB, and MODESEL3 is the MSB. Note that modes 8, 9, C, D and E are compatible with the LC1001-131 (a product that handles 6-bits of input for each of the RGB signals).</p> <table border="1"> <thead> <tr> <th>Color scale mode</th> <th>0</th> <th>1</th> <th>2</th> <th>3</th> <th>4</th> <th>5</th> <th>6</th> <th>7</th> <th>8</th> <th>9</th> <th>A</th> <th>B</th> <th>C</th> <th>D</th> <th>E</th> <th>F</th> </tr> </thead> <tbody> <tr> <td>MODESEL0</td> <td>L</td> <td>H</td> <td>L</td> <td>H</td> <td>L</td> <td>H</td> <td>L</td> <td>H</td> <td>L</td> <td>H</td> <td>L</td> <td>H</td> <td>L</td> <td>H</td> <td>L</td> <td>H</td> </tr> <tr> <td>MODESEL1</td> <td>L</td> <td>L</td> <td>H</td> <td>H</td> <td>L</td> <td>L</td> <td>H</td> <td>H</td> <td>L</td> <td>L</td> <td>H</td> <td>H</td> <td>L</td> <td>L</td> <td>H</td> <td>H</td> </tr> <tr> <td>MODESEL2</td> <td>L</td> <td>L</td> <td>L</td> <td>L</td> <td>H</td> <td>H</td> <td>H</td> <td>H</td> <td>L</td> <td>L</td> <td>L</td> <td>L</td> <td>H</td> <td>H</td> <td>H</td> <td>H</td> </tr> <tr> <td>MODESEL3</td> <td>L</td> <td>L</td> <td>L</td> <td>L</td> <td>L</td> <td>L</td> <td>L</td> <td>L</td> <td>L</td> <td>H</td> <td>H</td> <td>H</td> <td>H</td> <td>H</td> <td>H</td> <td>H</td> </tr> </tbody> </table>	Color scale mode	0	1	2	3	4	5	6	7	8	9	A	B	C	D	E	F	MODESEL0	L	H	L	H	L	H	L	H	L	H	L	H	L	H	L	H	MODESEL1	L	L	H	H	L	L	H	H	L	L	H	H	L	L	H	H	MODESEL2	L	L	L	L	H	H	H	H	L	L	L	L	H	H	H	H	MODESEL3	L	L	L	L	L	L	L	L	L	H	H	H	H	H	H	H
Color scale mode	0	1	2	3	4	5	6	7	8	9	A	B	C	D	E	F																																																																								
MODESEL0	L	H	L	H	L	H	L	H	L	H	L	H	L	H	L	H																																																																								
MODESEL1	L	L	H	H	L	L	H	H	L	L	H	H	L	L	H	H																																																																								
MODESEL2	L	L	L	L	H	H	H	H	L	L	L	L	H	H	H	H																																																																								
MODESEL3	L	L	L	L	L	L	L	L	L	H	H	H	H	H	H	H																																																																								
MODESEL1	2	Input	<table border="1"> <tbody> <tr> <td rowspan="2">Processing</td> <td>Intra-frame processing</td> <td>Y</td> <td>Y</td> <td>R</td> <td>Y</td> <td>R</td> <td>Y</td> <td>Y</td> <td>Y</td> <td>Y</td> <td>Y</td> <td>R</td> <td>R</td> <td>Y</td> <td>Y</td> <td>Y</td> <td>R</td> </tr> <tr> <td>Inter-frame processing</td> <td>Y</td> <td>Y</td> <td>Y</td> <td>Y</td> <td>N</td> <td>N</td> <td>N</td> <td>Y</td> <td>Y</td> <td></td> <td></td> <td></td> <td>N</td> <td>N</td> <td>N</td> <td></td> </tr> </tbody> </table>	Processing	Intra-frame processing	Y	Y	R	Y	R	Y	Y	Y	Y	Y	R	R	Y	Y	Y	R	Inter-frame processing	Y	Y	Y	Y	N	N	N	Y	Y				N	N	N																																																			
Processing	Intra-frame processing	Y	Y		R	Y	R	Y	Y	Y	Y	Y	R	R	Y	Y	Y	R																																																																						
	Inter-frame processing	Y	Y	Y	Y	N	N	N	Y	Y				N	N	N																																																																								
MODESEL2	3	Input	<table border="1"> <tbody> <tr> <td>Number of valid input bits</td> <td>8</td> <td>8</td> <td>8</td> <td>8</td> <td>8</td> <td>8</td> <td>8</td> <td>6</td> <td>6</td> <td></td> <td></td> <td></td> <td></td> <td>6</td> <td>6</td> <td>6</td> <td></td> </tr> <tr> <td>Number of output bits</td> <td>3</td> <td>4</td> <td>6</td> <td>6</td> <td>4</td> <td>5</td> <td>6</td> <td>3</td> <td>4</td> <td></td> <td></td> <td></td> <td></td> <td>3</td> <td>4</td> <td>5</td> <td></td> </tr> </tbody> </table> <p>Note: Y = yes, N = no, R = reserved</p> <table border="1"> <tbody> <tr> <td>Gray scale modes 0, 8 and C</td> <td>Operating mode for TFT-LCD modules using 3-bit source drivers.</td> </tr> <tr> <td>Gray scale modes 1 and 9</td> <td>Operating mode for TFT-LCD modules using 4-bit source drivers.</td> </tr> <tr> <td>Gray scale mode 3</td> <td>Operating mode for TFT-LCD modules using 6-bit source drivers.</td> </tr> <tr> <td>Gray scale modes 5 and D</td> <td>Operating mode for TFT-LCD modules that perform FRC or other inter-frame processing.</td> </tr> <tr> <td>Gray scale modes 6, 7 and E</td> <td>Operating mode for TFT-LCD modules that perform FRC or other inter-frame processing.</td> </tr> </tbody> </table> <p>Note: Do not use gray scale modes 0, 1, 3, 8 and 9 with LCD modules that perform FRC or other inter-frame processing.</p>	Number of valid input bits	8	8	8	8	8	8	8	6	6					6	6	6		Number of output bits	3	4	6	6	4	5	6	3	4					3	4	5		Gray scale modes 0, 8 and C	Operating mode for TFT-LCD modules using 3-bit source drivers.	Gray scale modes 1 and 9	Operating mode for TFT-LCD modules using 4-bit source drivers.	Gray scale mode 3	Operating mode for TFT-LCD modules using 6-bit source drivers.	Gray scale modes 5 and D	Operating mode for TFT-LCD modules that perform FRC or other inter-frame processing.	Gray scale modes 6, 7 and E	Operating mode for TFT-LCD modules that perform FRC or other inter-frame processing.																																							
Number of valid input bits	8	8	8	8	8	8	8	6	6					6	6	6																																																																								
Number of output bits	3	4	6	6	4	5	6	3	4					3	4	5																																																																								
Gray scale modes 0, 8 and C	Operating mode for TFT-LCD modules using 3-bit source drivers.																																																																																							
Gray scale modes 1 and 9	Operating mode for TFT-LCD modules using 4-bit source drivers.																																																																																							
Gray scale mode 3	Operating mode for TFT-LCD modules using 6-bit source drivers.																																																																																							
Gray scale modes 5 and D	Operating mode for TFT-LCD modules that perform FRC or other inter-frame processing.																																																																																							
Gray scale modes 6, 7 and E	Operating mode for TFT-LCD modules that perform FRC or other inter-frame processing.																																																																																							
MODESEL3	4	Input	<table border="1"> <tbody> <tr> <td>Gray scale modes 0, 8 and C</td> <td>Operating mode for TFT-LCD modules using 3-bit source drivers.</td> </tr> <tr> <td>Gray scale modes 1 and 9</td> <td>Operating mode for TFT-LCD modules using 4-bit source drivers.</td> </tr> <tr> <td>Gray scale mode 3</td> <td>Operating mode for TFT-LCD modules using 6-bit source drivers.</td> </tr> <tr> <td>Gray scale modes 5 and D</td> <td>Operating mode for TFT-LCD modules that perform FRC or other inter-frame processing.</td> </tr> <tr> <td>Gray scale modes 6, 7 and E</td> <td>Operating mode for TFT-LCD modules that perform FRC or other inter-frame processing.</td> </tr> </tbody> </table> <p>Note: Do not use gray scale modes 0, 1, 3, 8 and 9 with LCD modules that perform FRC or other inter-frame processing.</p>	Gray scale modes 0, 8 and C	Operating mode for TFT-LCD modules using 3-bit source drivers.	Gray scale modes 1 and 9	Operating mode for TFT-LCD modules using 4-bit source drivers.	Gray scale mode 3	Operating mode for TFT-LCD modules using 6-bit source drivers.	Gray scale modes 5 and D	Operating mode for TFT-LCD modules that perform FRC or other inter-frame processing.	Gray scale modes 6, 7 and E	Operating mode for TFT-LCD modules that perform FRC or other inter-frame processing.																																																																											
Gray scale modes 0, 8 and C	Operating mode for TFT-LCD modules using 3-bit source drivers.																																																																																							
Gray scale modes 1 and 9	Operating mode for TFT-LCD modules using 4-bit source drivers.																																																																																							
Gray scale mode 3	Operating mode for TFT-LCD modules using 6-bit source drivers.																																																																																							
Gray scale modes 5 and D	Operating mode for TFT-LCD modules that perform FRC or other inter-frame processing.																																																																																							
Gray scale modes 6, 7 and E	Operating mode for TFT-LCD modules that perform FRC or other inter-frame processing.																																																																																							
BYPASS	100	Input	Input bypass pin. When this pin is low, the LC11011-141 performs no gray scale processing, but rather simply passes the input signals through unchanged. When a low level input on this pin is sampled on the rising edge of the clock, the IC will begin the output of unchanged data two clock cycles later.																																																																																					
TEST0	6	Input	Test pins [0:3]; left open in normal operation.																																																																																					
TEST1	7	Input																																																																																						
TEST2	8	Input																																																																																						
TEST3	9	Input																																																																																						
SCLK	67	Input	Display dot clock input. Data is processed according to this clock signal.																																																																																					
SRDATA [0:7]	57 to 60, 62 to 65	Input	Input pins for red, green and blue scale data. SRDATA7, SGDATA7, and SBDA7 are the MSBs. SRDATA0, SGDATA0, and SBDA0 are the LSBs.																																																																																					
SGDATA [0:7]	78 to 81, 83 to 86	Input																																																																																						
SBDATA [0:7]	88, 89, 92 to 97	Input																																																																																						
Shsync	69	Input	Horizontal and vertical synchronization signal inputs. These are the sources for the Hsync and Vsync signals. These are also used to control data processing. These are low level active signals.																																																																																					
Svsync	70	Input																																																																																						
SHDEN	72	Input	Horizontal data valid period signal input. Set this pin high during periods when the horizontal data is valid. If this signal is not used, tie it high, and set the input data to zero during the horizontal blanking period.																																																																																					
SCTL0	74	Input	LCD control inputs. Input control signals that must be matched to the data signal timing. These are the sources for the CTL signals. If the CTL [0:1] signals are not used, there is no need to input the SCTL [0:1] signals.																																																																																					
SCTL1	75	Input																																																																																						
CLKSEL	99	Input	CLKSEL is the dot clock output selection. It is used to select the output mode of the dot clock signal output pin.																																																																																					
CLK	31	Output	If CLKSEL is low: A signal with the same phase as the SCLK pin is output from the CLK pin.																																																																																					
CLKB	33	Output	If CLKSEL is high: A signal with the opposite phase from the SCLK pin is output from the CLKB pin.																																																																																					

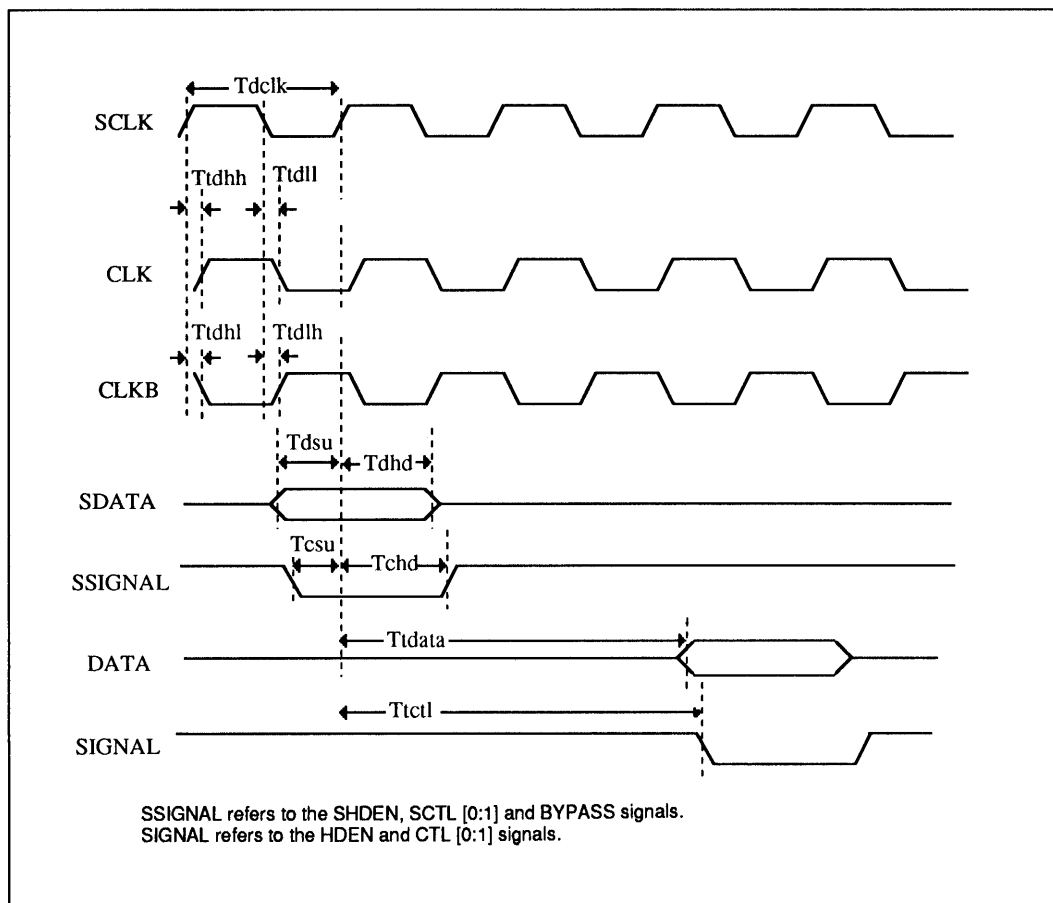
Continued on next page.

LC11011-141

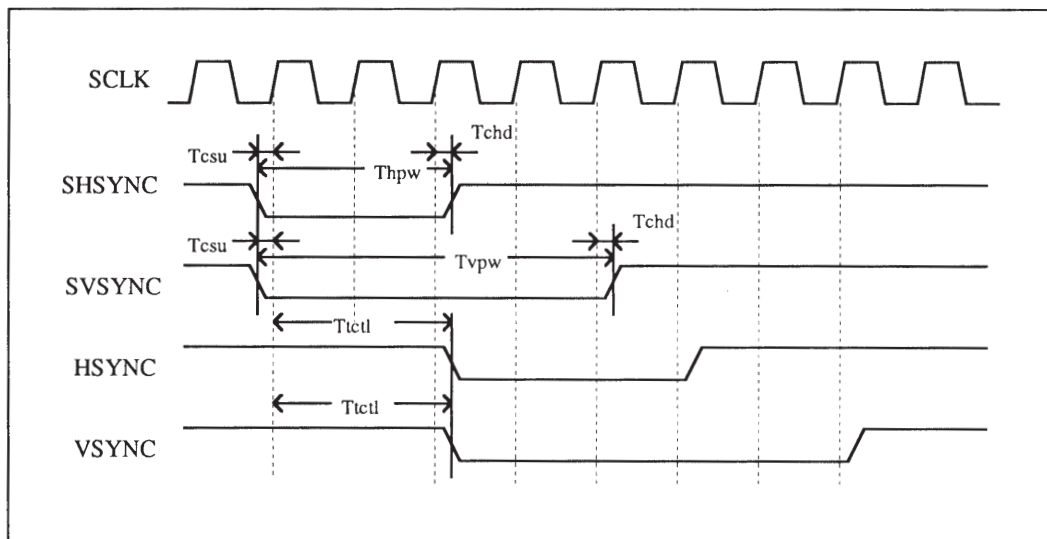
Continued from preceding page.

Symbol	Pin No.	I/O	Function
RDATA [0:7]	11 to 14, 16 to 19	Output	Red, green and blue gray scale data output pins. These are delayed by 2 clock cycles with respect to the input data. RDATA7, GDATA7 and BDATA7 are the MSBs. In modes 0, 8, C and F, RDATA5, GDATA5 and BDATA5 are the LSBs. In these modes, RDATA [0:4], GDATA [0:4] and BDATA [0:4] are not used.
GDATA [0:7]	36 to 39, 42 to 45	Output	In modes 1, 5, 9 and D, RDATA4, GDATA4 and BDATA4 are the LSBs. In these modes, RDATA [0:3], GDATA [0:3] and BDATA [0:3] are not used.
BDATA [0:7]	47 to 50, 52 to 55	Output	In modes 6 and E, RDATA3, GDATA3 and BDATA3 are the LSBs. In these modes, RDATA [0:2], GDATA [0:2] and BDATA [0:2] are not used. In modes 3 and 7, RDATA2, GDATA2 and BDATA2 are the LSBs. In these modes, RDATA [0:1], GDATA [0:1] and BDATA [0:1] are not used.
Vsync	27	Output	Horizontal and vertical synchronization signal outputs. To match the data signal timing these are delayed by two clock cycles with respect to their input signals.
Hsync	29	Output	
HDEN	25	Output	Horizontal data valid period signal output
CLT0	22	Output	LCD control signal outputs. To match the data signal timing these are delayed by two clock cycles with respect to the SCTL [0:1] input signals.
CLT1	23	Output	

Timing Chart



Continued from preceding page.



This LSI is an improved version of the ALC1009-141.

Usage Note

Since this LSI performs spatial modulation using an error diffusion algorithm, patterns that differ from the original images may be displayed for certain display pattern and gray-scale mode combinations.

- No products described or contained herein are intended for use in surgical implants, life-support systems, aerospace equipment, nuclear power control systems, vehicles, disaster/crime-prevention equipment and the like, the failure of which may directly or indirectly cause injury, death or property loss.
- Anyone purchasing any products described or contained herein for an above-mentioned use shall:
 - ① Accept full responsibility and indemnify and defend SANYO ELECTRIC CO., LTD., its affiliates, subsidiaries and distributors and all their officers and employees, jointly and severally, against any and all claims and litigation and all damages, cost and expenses associated with such use:
 - ② Not impose any responsibility for any fault or negligence which may be cited in any such claim or litigation on SANYO ELECTRIC CO., LTD., its affiliates, subsidiaries and distributors or any of their officers and employees jointly or severally.
- Information (including circuit diagrams and circuit parameters) herein is for example only; it is not guaranteed for volume production. SANYO believes information herein is accurate and reliable, but no guarantees are made or implied regarding its use or any infringements of intellectual property rights or other rights of third parties.

This catalog provides information as of December, 1997. Specifications and information herein are subject to change without notice.