

**LC895126****CD-ROM Decoder with Built-in SCSI Interface****Preliminary****Overview**

The LC895126 is a CD-ROM decoder that in addition to CD-ROM functions also provides a built-in SCSI interface.

Functions

- CD-ROM ECC functions, subcode read function, SCSI interface, CAV audio functions

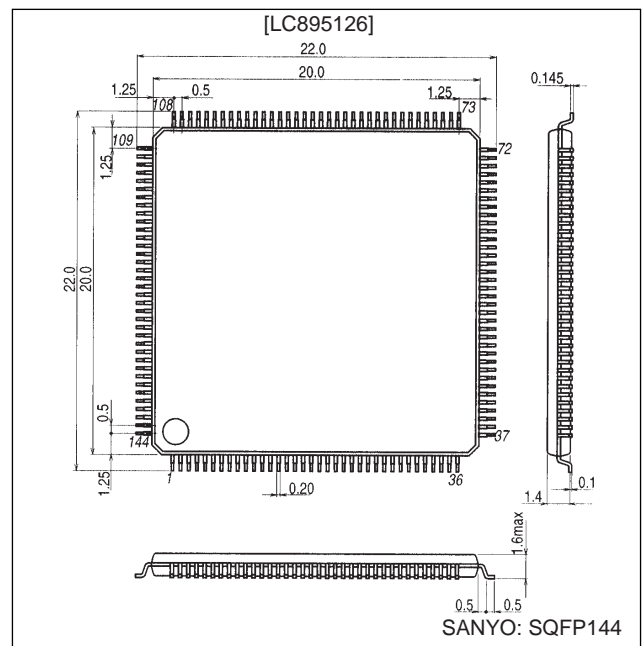
Features

- Built-in SCSI interface (Includes a SCAM selection register)
- Supports 24× playback and a 10MB/sec data transfer rate (when 16-bit data path 70-ns EDO DRAM is used).
- Supports the use of up to 4 Mbit of buffer RAM.
- Users can freely set up the CD main channel, C2 flag, and other areas in buffer RAM.
- Batch transfer function (Function that transfers the CD main channel, C2 flag, and other data in a single operation)
- Multiblock transfer function (Function that transfers multiple blocks automatically in a single operation)
- Subcode ECC functions and CD-Text support
- CAV audio functions
- Intelligent functions (Including auto buffering, auto decoding, and CD-R support)

- Supports 20MB/s transfers (This capability is currently under evaluation (July 1997) and cannot be guaranteed at present.)

Package Dimensions

unit: mm

3214-SQFP144**Specifications****Absolute Maximum Ratings at Ta = 25°C, V_{SS} = 0 V**

Parameter	Symbol	Conditions	Ratings	Unit
Maximum supply voltage	V _{DD} max		-0.3 to +7.0	V
Input and output voltage	V _I , V _O		-0.3 to V _{DD} +0.3	V
Allowable power dissipation	Pd max	Ta ≤ 70°C	550	mW
Operating temperature	T _{opr}		-30 to +70	°C
Storage temperature	T _{stg}		-55 to +125	°C
Soldering conditions (pins only)		10 seconds	260	°C

Allowable Operating Ranges at Ta = -30 to +70°C, V_{SS} = 0 V

Parameter	Symbol	Conditions	Ratings			Unit
			min	typ	max	
Supply voltage	V _{DD}		4.5	5.0	5.5	V
Input voltage range	V _{IN}		0		V _{DD}	V

SANYO Electric Co., Ltd. Semiconductor Business Headquarters

TOKYO OFFICE Tokyo Bldg., 1-10, 1 Chome, Ueno, Taito-ku, TOKYO, 110-0005 JAPAN

LC895126

Electrical Characteristics at Ta = -30 to +70°C, VSS = 0 V, VDD = 4.5 to 5.5 V

Parameter	Symbol	Conditions	Ratings			Unit
			min	typ	max	
Input high-level voltage	V _{IH1}	TTL level pins: (1)	2.2			V
Input low-level voltage	V _{IL1}				0.8	V
Input high-level voltage	V _{IH2}	TTL level pins: (9)	2.2			V
Input low-level voltage	V _{IL2}	Pins with built-in pull-up resistors.			0.8	V
Input high-level voltage	V _{IH3}	TTL level pins: (2)	2.2			V
Input low-level voltage	V _{IL3}	Schmitt input pins			0.8	V
Input high-level voltage	V _{IH4}	CMOS level pins: (3)	0.8 V _{DD}			V
Input low-level voltage	V _{IL4}	Schmitt input pins			0.2 V _{DD}	V
Input high-level voltage	V _{IH5}	(4), (8), (10)	2.0			V
Input low-level voltage	V _{IL5}				0.8	V
Output high-level voltage	V _{OH1}	I _{OH1} = -12 mA : (6)	V _{DD} - 2.1			V
Output low-level voltage	V _{OL1}	I _{OL1} = 12 mA : (6)			0.4	V
Output high-level voltage	V _{OH2}	I _{OH2} = -8 mA : (7)	2.4			V
Output low-level voltage	V _{OL2}	I _{OL2} = 8 mA : (7)			0.4	V
Output high-level voltage	V _{OH2}	I _{OH2} = -2 mA : (9), (5)	2.4			V
Output low-level voltage	V _{OL2}	I _{OL2} = 2 mA : (9), (5)			0.4	V
Output low-level voltage	V _{OL4}	I _{OL4} = 48 mA : (10)			0.4	V
Input leakage current	I _{IL}	V _I = V _{SS} or V _{DD} : All input pins.	-25		+25	μA
Pull-up resistance	R _{UP}	(5), (9)	60	120	240	kΩ

The pin sets referred to above are as follows:

INPUT

- (1) TEST0 to TEST4, CSCTRL, SUA0 to SUA6, X1EN, WFCK, SBS0
- (2) C2PO, SDATA, BCK, LRCK, SCOR, ZRESET
- (3) ZCS, ZRD, ZWR
- (4) SCSISEL, XTALSEL

OUTPUT

- (5) ZINT0, ZINT1, ZSWAIT
- (6) MCK, MCK2, MCK3
- (7) EXCK, DSDATA, DLCK, DBCK, ZRAS0, ZRAS1, ZCAS0, ZCAS1, ZOE, ZUWE, ZLWE, RA0 to RA8

INOUT

- (8) ACK, ATN
- (9) D0 to D7, IO0 to IO15, IOP0 to IOP4
- (10) DB0 to DB7, DBP, BSY, I/O, MSG, SEL, RST, REQ, C/D

Note: The XTAL0, XTALCK0, XTAL1, and XTALCK1 pins are not covered by the electrical characteristics.

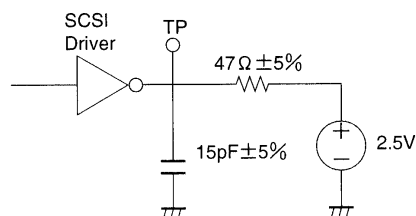
SCSI Interface Pin Input Characteristics

Parameter	Symbol	Conditions	Ratings			Unit
			min	typ	max	
Input threshold voltage	V _{t+tt}	V _{DD} = 4.50 to 5.50 V		1.60	2.00	V
	V _{t-tt}		0.80	1.10	V	
Hysteresis	ΔV _{tt1}	V _{DD} = 5.0 V	0.41	0.5	V	

Active Negation Output Characteristics

Parameter	Symbol	Conditions	Ratings			Unit
			min	typ	max	
Output high-level voltage	V _{OH}	I _{OH} = -24 mA	2.5			V
Output low-level voltage	V _{OL}	I _{OL} = 48 mA			0.4	V

Note: Active negation refers to the $\overline{DB0}$ to $\overline{DB7}$, \overline{REQ} , and \overline{DBPB} outputs.



A09479

Figure 1

LC895126

Pin Functions

I: Input pin, O: Output pin, B: Bidirectional pin, P: Power Supply pin, NC: Not Connection pin

Pin No.	Symbol	Type	Function
1	V _{SS0}	P	
2	IO2	B	Buffer RAM data I/O pins. Built in pull-up resistors.
3	IO1	B	
4	IO0	B	
5	MCK2SEL	I	Provided for switching between MCK2 (22 MHz, 20 MHz) and MCK3 (27 MHz, 25 MHz) in PLL mode. Currently, must be connected to V _{DD} .
6		NC	
7	V _{SS0}	P	
8	V _{SS0}	P	
9	V _{SS0}	P	
10		NC	
11		NC	
12	C2PO	I	CD DSP interface
13	SDATA	I	
14	BCK	I	
15	LRCK	I	
16	EXCK	O	Subcode I/O
17	WFCK	I	
18	V _{DD}	P	
19	V _{SS0}	P	
20	SBSO	I	Subcode I/O
21	SCOR	I	
22	DSDATA	O	D/A converter outputs
23	DLRCK	O	
24	DBCK	O	
25	MCK	O	Outputs the XTALCK1 state (1/1, 1/2, or stopped)
26	V _{SS0}	P	
27	XTALCK0	I	Crystal oscillator circuit input
28	XTAL0	O	Crystal oscillator circuit input
29	TEST0	I	Test pins. These pins must be connected to V _{SS0} .
30	TEST1	I	
31	TEST2	I	
32	TEST3	I	
33	TEST4	I	
34	MCK2	O	Outputs the XTALCK0 state (1/1, 1/2, 1/512, or stopped)
35	MCK3	O	
36	V _{SS0}	P	
37	V _{DD}	P	
38	ZRESET	I	Chip reset. The system is reset by a low-level input.
39	ZRD	I	Microcontroller data read signal input
40	ZWR	I	Microcontroller data write signal input

Continued on next page.

LC895126

Continued from preceding page.

Pin No.	Symbol	Type	Function
41	ZCS	I	Register chip select signal input from the microcontroller
42	CSCTRL	I	CS active low/active high selection input from the microcontroller
43	SUA0	I	Microcontroller register selection signals
44	SUA1	I	
45	SUA2	I	
46	SUA3	I	
47	SUA4	I	
48	SUA5	I	
49	SUA6	I	
50	D0	B	Microcontroller data signals
51	D1	B	
52	D2	B	
53	D3	B	
54	V _{DD}	P	
55	V _{SS0}	P	
56	D4	B	
57	D5	B	
58	D6	B	
59	D7	B	
60	ZINT0	O	Interrupt request signal output to the microcontroller (ECC side. Set up by register settings.)
61	ZINT1	O	Interrupt request signal output to the microcontroller (SCSI side. Set up by register settings.)
62	ZSWAIT	O	Wait signal output to the microcontroller
63	V _{SS0}	P	
64	IOP0	B	General-purpose I/O
65	IOP1	B	
66	IOP2	B	
67	IOP3	B	
68	IOP4	B	
69	X1EN	I	Must be tied low in versions without a PLL circuit. Must be connected to V _{DD} through a resistor in versions that use the PLL circuit.
70	ZTALCK1	I	Shock proof function oscillator circuit input. Used by the PLL circuit in PLL versions.
71	XTAL1	O	Shock proof function oscillator circuit output. Used by the PLL circuit in PLL versions.
72	V _{SS0}	P	Analog system ground in PLL versions
73	V _{DD}	P	Analog system power supply in PLL versions
74	V _{SS1}	P	
75	I/O	B	SCSI interface connections
76	REQ	B	
77	V _{SS1}	P	
78	C/D	B	SCSI interface connections
79	SEL	B	
80		NC	
81	V _{DD}	P	
82	V _{SS1}	P	
83	MSG	B	SCSI interface connections
84	RST	B	
85	V _{SS1}	P	
86	ACK	B	SCSI interface connections
87	BSY	B	
88	V _{SS1}	P	

Continued on next page.

LC895126

Continued from preceding page.

Pin No.	Symbol	Type	Function
89	ATN	B	SCSI interface connections
90	V _{DD}	P	
91	V _{SS1}	P	
92		NC	
93	DBP	B	SCSI interface connections
94	V _{DD}	P	
95	DB7	B	SCSI interface connections
96	DB6	B	
97	V _{SS1}	P	
98	DB5	B	SCSI interface connections
99	DB4	B	
100	V _{DD}	P	
101	DB3	B	SCSI interface connections
102	DB2	B	
103	V _{SS1}	P	
104	DB1	B	SCSI interface connections
105	DB0	B	
106	SCSISEL	I	SCSI pin assignment selection (No change when held low.)
107	XTALSEL	I	XATL oscillator selection in PLL mode
108	V _{SS1}	P	
109	V _{DD}	P	
110	V _{SS0}	P	
111	ZRAS0	O	RAS output 0 for buffer RAM (Normally, RAS 0 is used.)
112	ZRAS1	O	RAS output 1 for buffer RAM
113	ZCAS0	O	CAS output 0 for buffer RAM (Normally, CAS 0 is used.)
114	ZCAS1	O	CAS output 1 for buffer RAM
115	ZOE	O	Buffer RAM output enable
116	ZUWE	O	Buffer RAM upper write enable
117	ZLWE	O	Buffer RAM lower write enable
118	V _{SS0}	P	
119	RA0	O	Buffer RAM address outputs
120	RA1	O	
121	RA2	O	
122	RA3	O	
123	RA4	O	
124	RA5	O	
125	RA6	O	
126	V _{DD}	P	
127	V _{SS0}	P	
128	RA7	O	Buffer RAM address outputs
129	RA8	O	
130	RA9 (IO15)	B	Buffer RAM address and data outputs.
131	RA10 (IO14)	B	Built in pull-up resistors.

Continued on next page.

LC895126

Continued from preceding page.

Pin No.	Symbol	Type	Function
132	IO13	B	Buffer RAM data I/O. Built in pull-up resistors.
133	IO12	B	
134	IO11	B	
135	IO10	B	
136	IO9	B	
137	IO8	B	
138	V _{SS0}	P	
139	IO7	B	Buffer RAM data I/O. Built in pull-up resistors.
140	IO6	B	
141	IO5	B	
142	IO4	B	
143	IO3	B	
144	V _{DD}	P	

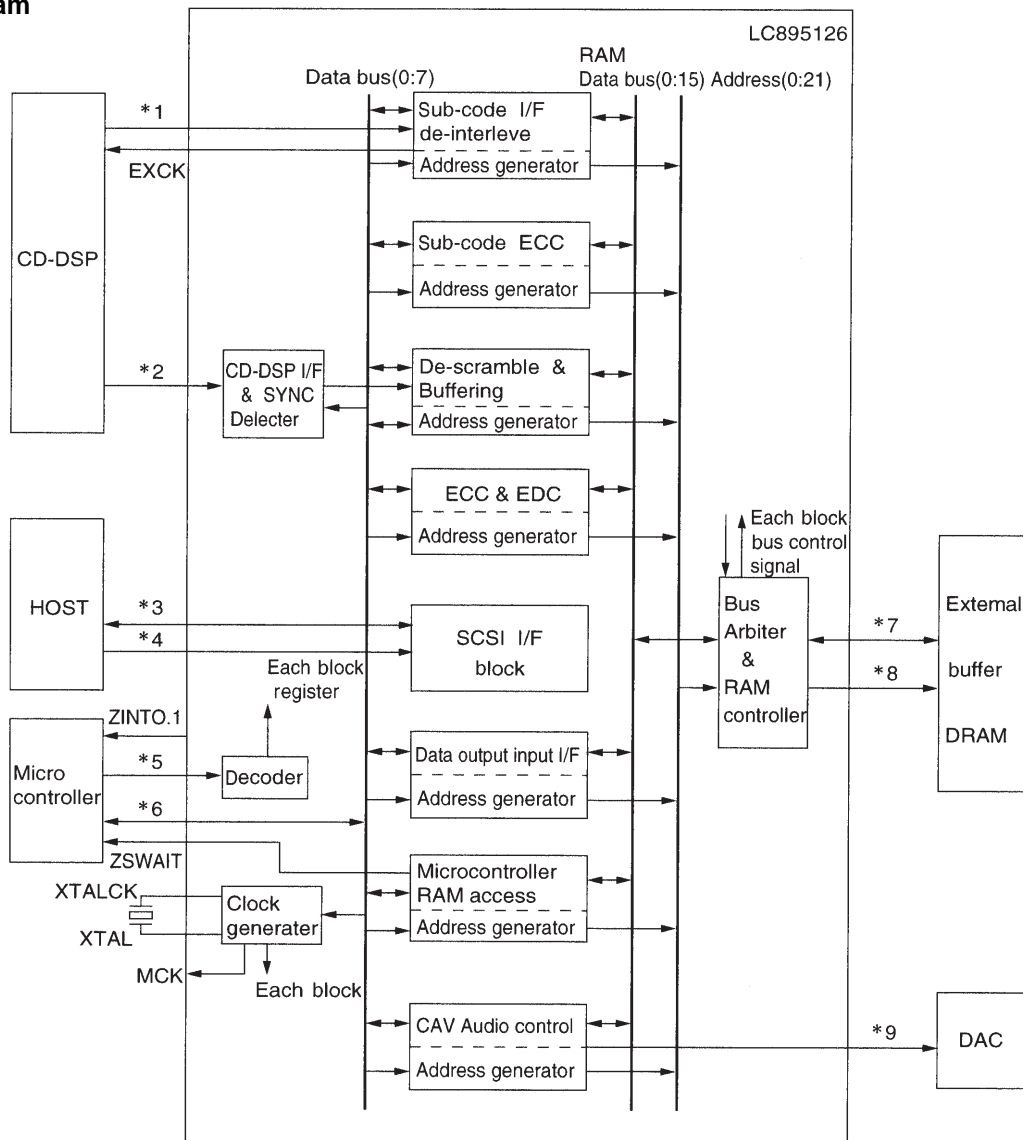
NC pins must be left open.

Pin names that start with a 'Z' are negative logic (i.e. active low) pins.

V_{SS0} is the logic system ground, and V_{SS1} is the SCSI interface system ground.

If DRAM is used, undershoot prevention measures, such as inserting resistors in the RAS and CAS lines and inserting capacitors to ground, must be taken. Since this IC includes buffers that sink 48 mA, applications must take adequate noise reduction measures.

Block Diagram



- *1 WFCK, SBSO, SCOR
 - *2 BCK, SDATA, LRCK, C2PO
 - *3 DB0 to DB7, DBP, BSY, MSG, SEL, RST, REQ, I/O, C/D
 - *4 ACK, ATN
 - *5 ZRD, ZWR, SUA0 to AUA6, ZCS, CSCTRL
 - *6 D0 to D7
 - *7 IO0 to IO15
 - *8 RA0 to RA10, ZRAS0, ZRAS1, ZCAS0, ZCAS1, ZOE, ZUWE, ZLWE
 - *9 DBCK, DLCK, DSDATA
- Note: The pins IO15 and RA9 share pin 130, and the pins IO14 and RA10 share pin 131.

A09480

■ No products described or contained herein are intended for use in surgical implants, life-support systems, aerospace equipment, nuclear power control systems, vehicles, disaster/crime-prevention equipment and the like, the failure of which may directly or indirectly cause injury, death or property loss.

■ Anyone purchasing any products described or contained herein for an above-mentioned use shall:

- ① Accept full responsibility and indemnify and defend SANYO ELECTRIC CO., LTD., its affiliates, subsidiaries and distributors and all their officers and employees, jointly and severally, against any and all claims and litigation and all damages, cost and expenses associated with such use:
- ② Not impose any responsibility for any fault or negligence which may be cited in any such claim or litigation on SANYO ELECTRIC CO., LTD., its affiliates, subsidiaries and distributors or any of their officers and employees jointly or severally.

■ Information (including circuit diagrams and circuit parameters) herein is for example only; it is not guaranteed for volume production. SANYO believes information herein is accurate and reliable, but no guarantees are made or implied regarding its use or any infringements of intellectual property rights or other rights of third parties.

This catalog provides information as of January, 1998. Specifications and information herein are subject to change without notice.