

**LC895994**

CD-R Encoder/Decoder LSI with Built-in ATAPI (IDE) Interface

Preliminary

Overview

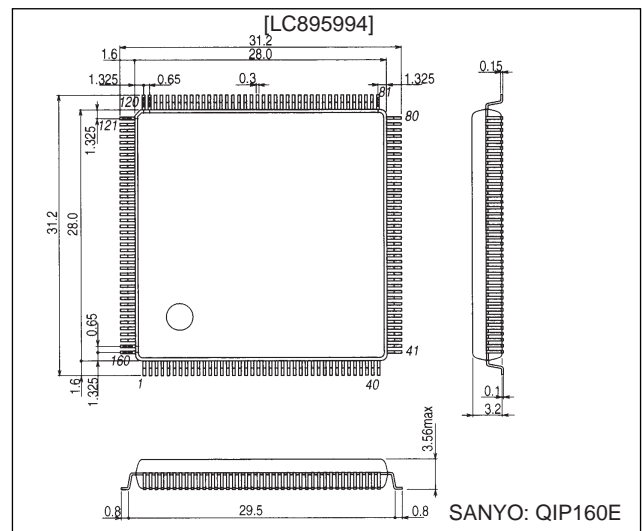
The LC895994 is a CD-R LSI that provides a wide range of functions including CD-ROM decoding (including ECC) and encoding, subcode Q encoding (CRC addition) and decoding, CD encoding, ATIP decoding and CLV servo, and an IDE interface that includes the register block.

Features

- ECC and EDC correction/addition for the CD-ROM data (during decoding and encoding)
- ATIP decoding and CRC checking for both encoding and decoding
- CLV servo control using ATIP data during encoding
- CIRC code insertion and EFM modulation during encoding
- Support for PCA random EFM output during encoding
- Support for CD-ReWritable (CD-RW) Write Strategy signal output
- Access to buffer RAM from microcontroller via LC895994
- Built-in ATAPI (IDE) interface
- Speeds of 12× for decoding and 4× for encoding
 - Frequencies
 - Decoding: 17.2872 MHz
 - Encoding: 17.2872 MHz without Write Strategy support
 - 69.1488 MHz with Write Strategy support
- IDE Transfer rate: 13.3 MB/s when using 16-bit data path 80-ns DRAM chips
- Buffer RAM sizes between 1 and 32 megabits (using 16-bit DRAMs)
- User control over sizes of CD main channel, C2 flag areas in buffer RAM
- Built-in batch transfer function for transferring entire CD main channel, C2 flag, or subcode area in a single operation
- Built-in multiblock transfer function for transferring multiple blocks in a single operation

Package Dimensions

unit: mm

3153A-QFP160E

Specifications

Maximum Ratings at Ta = 25°C, VSS = 0 V

Parameter	Symbol	Conditions	Ratings	Unit
Maximum supply voltage	V _{DD} max		-0.3 to +7.0	V
I/O voltage	V _I , V _O		-0.3 to V _{DD} + 0.3	V
Allowable power dissipation	Pd max	Ta ≤ 70°C	600	mW
Operating temperature	Topr		-30 to +70	°C
Storage temperature	Tstg		-55 to +125	°C
Solder resistance (Pins only)		10 seconds	260	°C

Allowable Operating Range at Ta = -30 to +70°C, VSS = 0 V

Parameter	Symbol	Conditions	Ratings			Unit
			min	typ	max	
Supply voltage	V _{DD}		4.5	5.0	5.5	V
Input voltage range	V _{IN}		0		V _{DD}	V

DC Characteristics at Ta = -30 to +70°C, VSS = 0 V, VDD = 4.5 to 5.5 V

Parameter	Symbol	Conditions	Ratings			Unit
			min	typ	max	
Input high-level voltage	V _{IH}	TTL levels, for pin types 1 and 7	2.2			V
Input low-level voltage	V _{IL}				0.8	V
Input high-level voltage	V _{IH}	TTL levels, for pin types 8 and 9, with pull-up resistors	2.2			V
Input low-level voltage	V _{IL}				0.8	V
Input high-level voltage	V _{IH}	TTL levels, for pin types 2 and 10, with Schmitt inputs	2.5			V
Input low-level voltage	V _{IL}				0.6	V
Output high-level voltage	V _{OH}	I _{OH} = -2 mA, for pin type 6	V _{DD} - 2.1			V
Output low-level voltage	V _{OL}	I _{OL} = 2 mA, for pin type 6			0.4	V
Output high-level voltage	V _{OH}	I _{OH} = -24 mA, for pin type 3	V _{DD} - 2.1			V
Output low-level voltage	V _{OL}	I _{OL} = 24 mA, for pin type 3			0.4	V
Output high-level voltage	V _{OH}	I _{OH} = -2 mA, for pin types 4, 7, and 8	V _{DD} - 2.1			V
Output low-level voltage	V _{OL}	I _{OL} = 2 mA, for pin types 4, 7, and 8			0.4	V
Output high-level voltage	V _{OH}	I _{OH} = -24 mA, for pin types 5 and 10	V _{DD} - 2.1			V
Output low-level voltage	V _{OL}	I _{OL} = 24 mA, for pin types 5 and 10			0.4	V
Output low-level voltage	V _{OL}	I _{OL} = 2 mA, for pin type 9.			0.4	V
Input leakage current	I _{IL}	V _I = V _{SS} , V _{DD} , for pin types 1, 2, 7, and 10	-10		+10	μA
Output leakage current		When set to high-impedance output: For pin types 4, 5, 7, and 10.	-10		+10	μA
Pull-up resistance	R _{UP}	For pin types 8 and 9	40	80	160	kΩ

The pin types above refer to the following groups.

Input

- (1) SUA0 to SUA7, TEST0 to TEST6, $\overline{\text{RESET}}$
- (2) BCK, BICKIN, BIDATAI, C2PO, DA0 to DA2, LOCKIN, LRCK, PLLOUTIN, ROUGH, SBSO, SCOR, SDATA, WFCK, $\overline{\text{CS}}$, $\overline{\text{CS1FX}}$, $\overline{\text{CS3FX}}$, DIOR, DIOW, DMACK, HRST, RD, WR

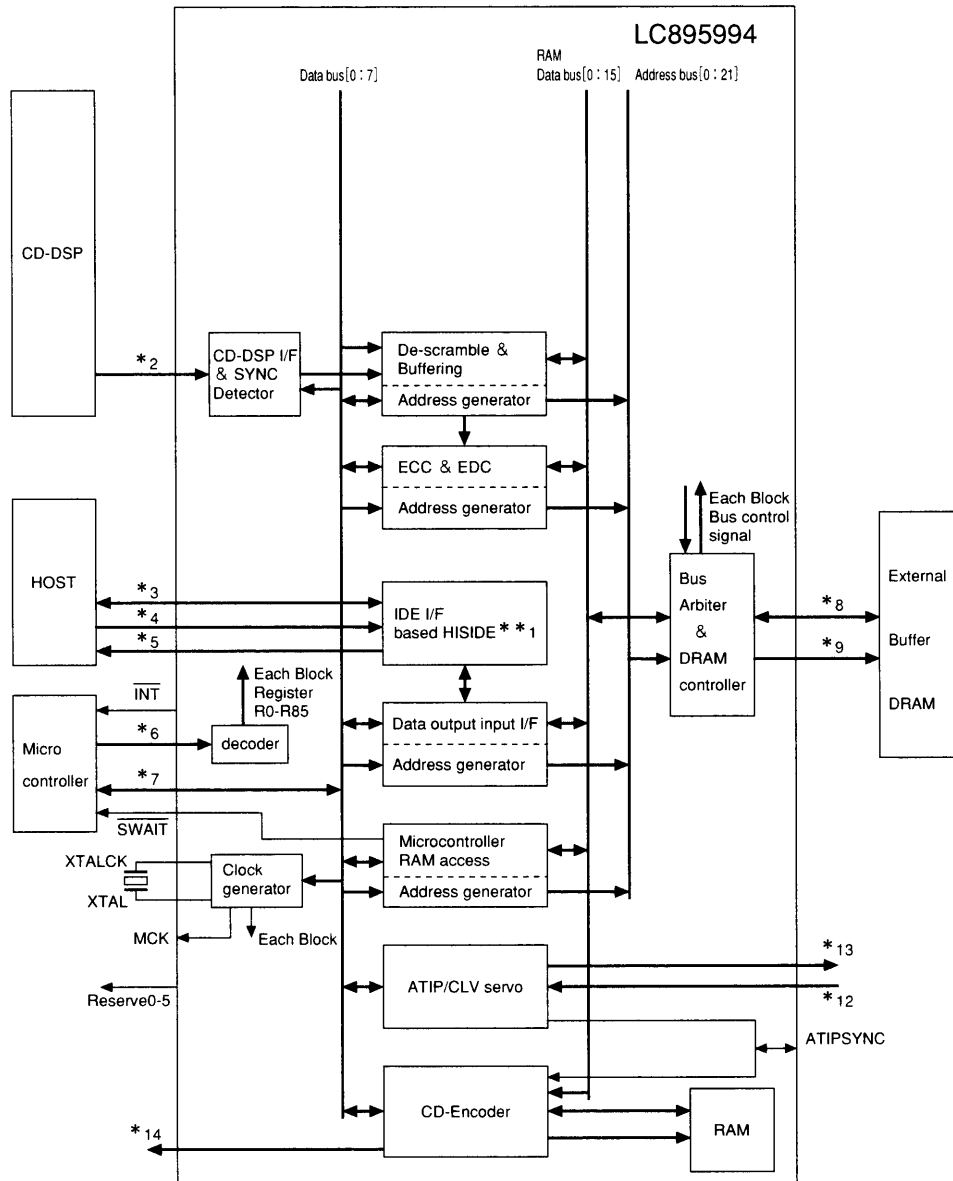
Output

- (3) EFM
- (4) CLVMDP, CLVMDS, FSW
- (5) DMARQ, HINTRQ, IORDY, $\overline{\text{IOCS16}}$
- (6) DATA0, EFMG, EFMGATE0 to EFMGATE3, EXCK, LOCK, MCK, MON, PSUBSYNC, RA0 to RA9, SUBSYNC, CAS0, CAS1, ERROR, EXTACK, FRCK, LWE, OE, RAS0, RAS1, UWE

Input

- (7) ATIPSYNC, Reserve0 to Reserve5
- (8) D0 to D7, IO0 to IO15
- (9) $\overline{\text{INT0}}$ to $\overline{\text{INT1}}$, $\overline{\text{SWAIT}}$
- (10) DD0 to DD15, DASP, PDIAG

Block Diagram



A10141

- *2 BCK, SDATA, LRCK, C2PO
- *3 DD0 to DD15, DASP, PDIAG
- *4 CS1FX, CS3FX, DA0 to DA2, DIOR, DIOW, DMACK
- *5 DMARQ, HINTRQ, IOCS16, IORDY
- *6 RD, WR, SUA0 to SUA6, CS
- *7 D0 to D7
- *8 IO0 to IO15
- *9 RA0 to RA9, RAS0, RAS1, CAS0, CAS1, OE, UWE, LWE
- *10 PLLOUTIN, ROUGH, LOCKIN, BICLKIN, BIDATAIN
- *11 ERROR, LOCK, CLV⁺ (MDP), CLV⁻ (MDS), MON, FSW
- *12 SUBSYNC, PSUBSYNC, FRCK, EFM, EFMG, EFMGATE3 to EFMGATE0, EXTACK, DATAK0
- **1 HISIDE (WD25C32) is made by WESTERN DIGITAL.

LC895994

Pin Descriptions

Type: I: Input pin, O: Output pin, B: Bidirectional pin, P: Power supply pin, N: No connection pin

Pin No.	Pin Name	Type	Description
1	V _{SS}	P	
2	Reserve0	O	Reserved for future expansion (Must be left open if unused.)
3	Reserve1	I	Reserved for future expansion (Must be tied to ground if unused.)
4	Reserve2	I	Reserved for future expansion (Must be tied to ground if unused.)
5	TEST1	I	Test pin (connect to V _{SS})
6	XTALCK	I	Crystal oscillator circuit input pin (17.2872 to 69.1488 MHz)
7	XTAL	O	Crystal oscillator circuit output pin
8	TEST2	I	Test pin (connect to V _{SS})
9	MCK	O	Master Clock output pin
10	TEST3	I	Test pin (connect to V _{SS})
11	PSUBSYNC	O	Pseudo-subcode synchronization output
12	$\overline{\text{EXTACK}}$	O	ATIP synchronization acknowledge signal output
13	TEST4	I	Test pin (connect to V _{SS})
14	V _{DD}	P	
15	V _{SS}	P	
16	CLV+ (MDP)	O	CLV servo signal output pins
17	CLV- (MDS)	O	
18	MON	O	
19	FSW	O	
20	V _{DD}	P	
21	V _{SS}	P	
22	PLLOUTIN	I	Wobble signal carrier clock input pin
23	ROUGH	I	Rough CLV servo wobble signal input pin
24	LOCKIN	I	CD decoder lock signal input pin
25	LOCK	O	CLV servo lock monitor pin
26	$\overline{\text{ERROR}}$	O	ATIP parity error detection pin
27	ATIPSYNC	B	ATIP synchronization signal I/O pin
28	BIDATAI	I	Biphase data input pin
29	BICLKIN	I	Biphase data transfer clock input pin
30	DATAACKO	O	4.3218 MHz (normal speed) oscillator output
31	IO0	B	Data signal pins for ROM encoder/decoder buffer RAM, with pull-up resistors
32	IO1	B	
33	IO2	B	
34	IO3	B	
35	IO4	B	
36	IO5	B	
37	IO6	B	
38	IO7	B	
39	IO8	B	
40	V _{DD}	P	
41	V _{SS}	P	

Continued on next page.

LC895994

Continued from preceding page.

Type: I: Input pin, O: Output pin, B: Bidirectional pin, P: Power supply pin, N: No connection pin

Pin No.	Pin Name	Type	Description
42	IO9	B	Data signal pins for ROM encoder/decoder DRAM, with pull-up resistors
43	IO10	B	
44	IO11	B	
45	IO12	B	
46	IO13	B	
47	IO14	B	
48	IO15	B	
49	V _{SS}	P	Address signal pins for ROM encoder/decoder DRAM
50	RA0	O	
51	RA1	O	
52	RA2	O	
53	RA3	O	
54	RA4	O	
55	RA5	O	
56	RA6	O	
57	RA7	O	
58	RA8	O	
59	RA9	O	DRAM $\overline{\text{RAS}}$ signal output pins
60	V _{DD}	P	
61	V _{SS}	P	DRAM $\overline{\text{CAS}}$ signal output pins
62	$\overline{\text{RAS0}}$	O	
63	$\overline{\text{RAS1}}$	O	DRAM output enable signal output pin
64	$\overline{\text{CAS0}}$	O	
65	$\overline{\text{CAS1}}$	O	DRAM upper write enable signal output pin
66	$\overline{\text{OE}}$	O	
67	$\overline{\text{UWE}}$	O	DRAM lower write enable signal output pin
68	$\overline{\text{LWE}}$	O	
69	TEST0	I	Test pin (connect to V _{SS})
70	V _{DD}	P	Subcode data read shift clock output pin
71	EXCK	O	
72	WFCK	I	Subcode frame synchronization input pin
73	SBSO	I	Subcode serial data input pin
74	SCOR	I	Subcode block synchronization input pin
75	V _{SS}	P	Serial data input clock input pin
76	BCK	I	
77	SDATA	I	Serial data input pin
78	LRCK	I	44.1-kHz strobe signal input pin
79	C2PO	I	C2 pointer input pin
80	V _{DD}	P	IDE pins
81	V _{SS}	P	
82	$\overline{\text{HRST}}$	I	
83	$\overline{\text{DASP}}$	B	
84	$\overline{\text{CS3FX}}$	I	
85	$\overline{\text{CS1FX}}$	I	IDE pins
86	V _{DD}	P	
87	DA2	I	IDE pins
88	DA0	I	
89	$\overline{\text{PDIAG}}$	B	

Continued on next page.

LC895994

Continued from preceding page.

Type: I: Input pin, O: Output pin, B: Bidirectional pin, P: Power Supply pin, N: No connection pin

Pin No.	Pin Name	Type	Description
90	DA1	I	IDE pins
91	$\overline{\text{IOCS16}}$	O	
92	INTRQ	O	
93	V _{SS}	P	
94	$\overline{\text{DMACK}}$	I	IDE pins
95	IORDY	O	
96	$\overline{\text{DIOR}}$	I	
97	$\overline{\text{DIOW}}$	I	
98	DMARQ	O	
99	DD15	B	
100	V _{DD}	P	
101	V _{SS}	P	
102	DD0	B	IDE pins
103	DD14	B	
104	DD1	B	
105	DD13	B	
106	DD2	B	
107	V _{SS}	P	
108	DD12	B	IDE pins
109	DD3	B	
110	DD11	B	
111	V _{SS}	P	
112	DD4	B	IDE pins
113	DD10	B	
114	DD5	B	
115	V _{SS}	P	
116	DD9	B	IDE pins
117	DD6	B	
118	DD8	B	
119	DD7	B	
120	V _{DD}	P	
121	V _{SS}	P	
122	SUBSYNC	O	Subcode synchronization signal output pin
123	$\overline{\text{FRCK}}$	O	EFM frame synchronization signal output pin
124	EFMG	O	EFM output gate signal output pin
125	EFM	O	EFM signal output pin
126	EFMGATE0	O	EFM pulse width detection gate signals
127	EFMGATE1	O	
128	EFMGATE2	O	
129	EFMGATE3	O	
130	TEST5	I	Test pin (connect to V _{SS})
131	V _{SS}	P	
132	TEST6	I	Test pin (connect to V _{SS})

Continued on next page.

LC895994

Continued from preceding page.

Type: I: Input pin, O: Output pin, B: Bidirectional pin, P: Power Supply pin, N: No connection pin

Pin No.	Pin Name	Type	Description
133	SUA0	I	Command register selection address input pins
134	SUA1	I	
135	SUA2	I	
136	SUA3	I	
137	SUA4	I	
138	SUA5	I	
139	SUA6	I	
140	V _{DD}	P	
141	V _{SS}	P	
142	D0	B	Microcontroller data signal pins, with pull-up resistors
143	D1	B	
144	D2	B	
145	D3	B	
146	D4	B	
147	D5	B	
148	D6	B	
149	D7	B	
150	$\overline{\text{RESET}}$	I	Reset pin
151	$\overline{\text{CS}}$	I	Chip select signal from microcontroller
152	$\overline{\text{RD}}$	I	Data read signal from microcontroller
153	$\overline{\text{WR}}$	I	Data write signal from microcontroller
154	$\overline{\text{SWAIT}}$	O	Wait signal to microcontroller
155	$\overline{\text{INT0}}$	O	Interrupt request signals to microcontroller. Open drain outputs with built-in pull-up resistors.
156	$\overline{\text{INT1}}$	O	
157	Reserve3	O	Reserved for future expansion (Must be left open if unused.)
158	Reserve4	O	
159	Reserve5	O	
160	V _{DD}	P	

- No products described or contained herein are intended for use in surgical implants, life-support systems, aerospace equipment, nuclear power control systems, vehicles, disaster/crime-prevention equipment and the like, the failure of which may directly or indirectly cause injury, death or property loss.
- Anyone purchasing any products described or contained herein for an above-mentioned use shall:
 - ① Accept full responsibility and indemnify and defend SANYO ELECTRIC CO., LTD., its affiliates, subsidiaries and distributors and all their officers and employees, jointly and severally, against any and all claims and litigation and all damages, cost and expenses associated with such use:
 - ② Not impose any responsibility for any fault or negligence which may be cited in any such claim or litigation on SANYO ELECTRIC CO., LTD., its affiliates, subsidiaries and distributors or any of their officers and employees jointly or severally.
- Information (including circuit diagrams and circuit parameters) herein is for example only; it is not guaranteed for volume production. SANYO believes information herein is accurate and reliable, but no guarantees are made or implied regarding its use or any infringements of intellectual property rights or other rights of third parties.

This catalog provides information as of April, 1998. Specifications and information herein are subject to change without notice.